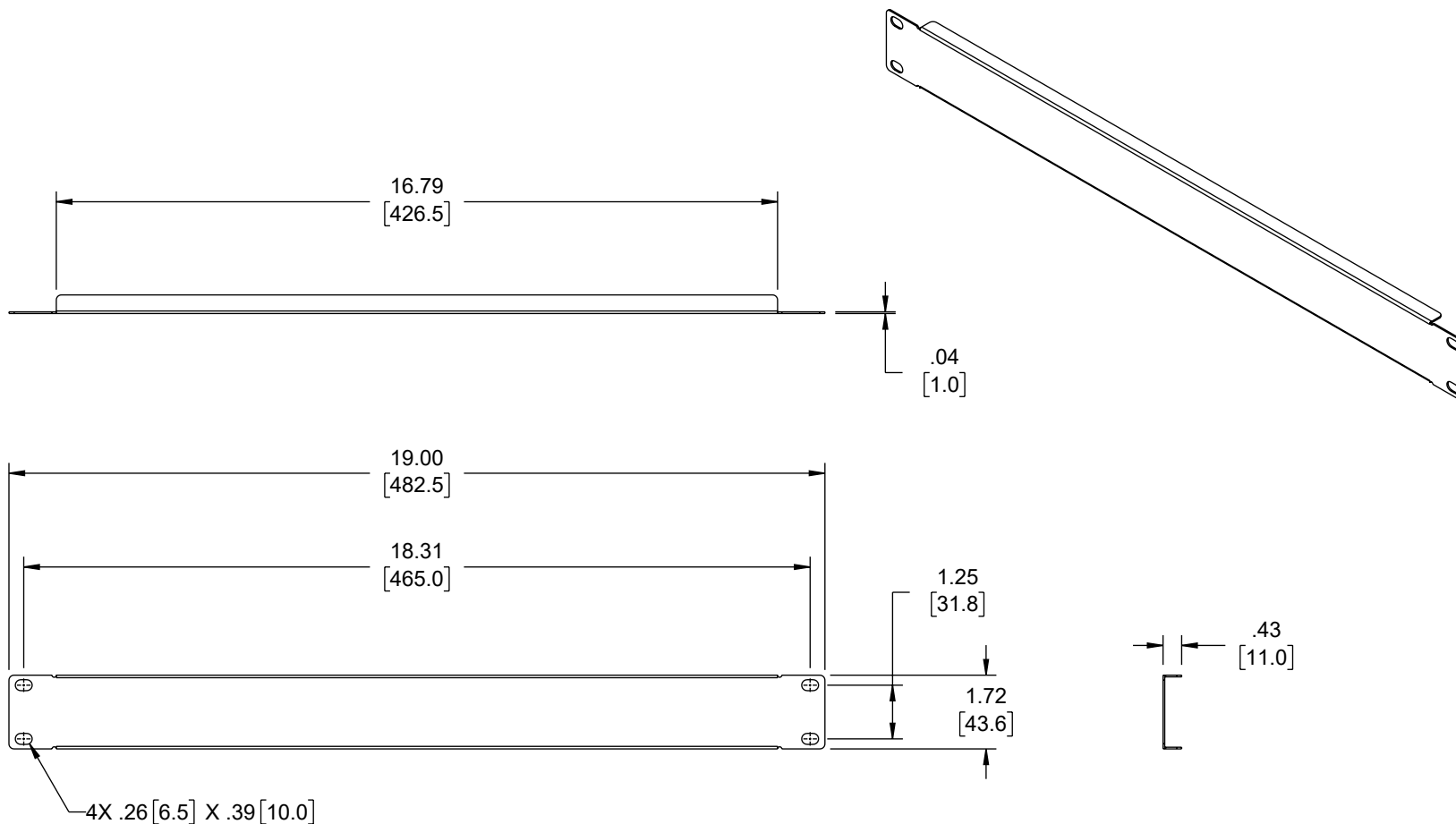


THE INFORMATION CONTAINED IN THIS DRAWING IS THE SOLE PROPERTY OF L-COM, INC. ANY REPRODUCTION IN PART OR WHOLE WITHOUT THE WRITTEN PERMISSION OF L-COM, INC. IS PROHIBITED.

REVISION					
ZONE	REV	DESCRIPTION	DATE	CHANGED BY	APPROVED
	A	INITIAL RELEASE	06/22/2023	HBAKKE	THOUGHTON



<p>UNLESS OTHERWISE SPECIFIED, DIMENSIONS ARE IN INCHES [mm]</p> <p>OVERALL CABLE LENGTH TOLERANCE:          ≤12 [305] = +1 [25] / -0          &gt;12 [305] ≤60 [1524] = +2 [51] / -0          &gt;60 [1524] ≤120 [3048] = +4 [102] / -0          &gt;120 [3048] ≤300 [7620] = +6 [152] / -0          &gt;300 [7620] = +5% / -0</p> <p>ALL OTHER DIMENSIONAL TOLERANCES:          .X = ± .2 [5]   FRACTIONS ± 1/32          .XX = ± .02 [5]   ANGLES ± 1°          .XXX = ± .005 [13]</p> <p>THIRD-ANGLE PROJECTION</p>	APPROVALS	DATE	<p>50 High Street, West Mill, North Andover, MA 01845 USA. Phone: 1.800.341.5266 1.978.682.6936</p>		
	DRAWN BY HBAKKE	06/22/2023			
	CHECKED BY DMAY	06/22/2023			
	APPROVED BY JWASKE	06/22/2023			
	CATEGORY		RACK ACCESSORIES		
	PRODUCT DESCRIPTION		19" Solid Blank Panel 1U - RAL9003 -Signal White		
	COLOR VARIATIONS MAY OCCUR	SIZE A	CAGE CODE 43321	ITEM NO. LC-SWM1UPNL-W	REV. A
		SCALE: NONE	CAD FILE: LC-SWM1UPNL-W_LC.SLDDRW	SHEET 1 OF 1	