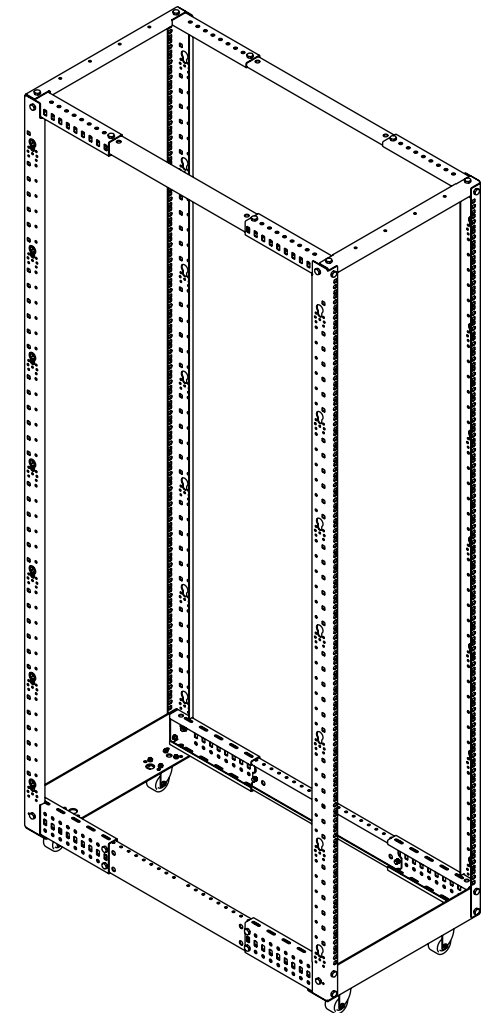
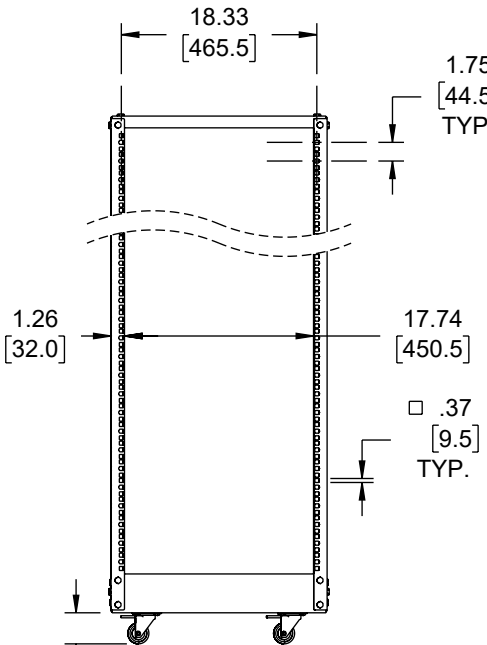
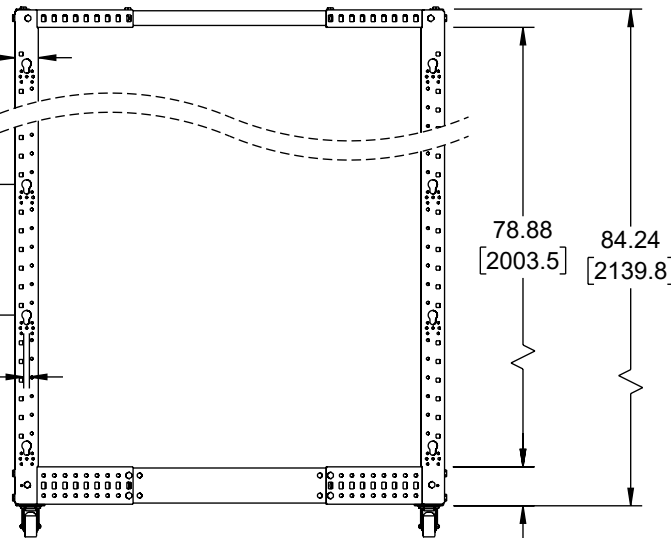
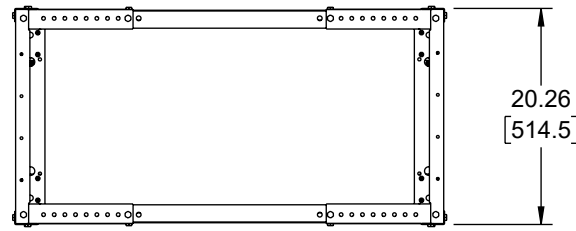


THE INFORMATION CONTAINED IN THIS DRAWING IS THE SOLE PROPERTY OF L-COM, INC. ANY REPRODUCTION IN PART OR WHOLE WITHOUT THE WRITTEN PERMISSION OF L-COM, INC. IS PROHIBITED.

REVISION					
ZONE	REV	DESCRIPTION	DATE	CHANGED BY	APPROVED
	A	INITIAL RELEASE	07/27/2023	HBAKKE	THOUGHTON



NOTES:

1. MAXIMUM MOUNTING DEPTH: 39.00" [990.6mm]
2. MINIMUM MOUNTING DEPTH: 23.60" [599.4mm]
3. MOUNTING DEPTH ADJUSTABLE IN 1.00" [25.4mm] INCREMENTS.
4. CASTERS ARE OPTIONAL/NOT INCLUDED.

UNLESS OTHERWISE SPECIFIED, DIMENSIONS ARE IN INCHES [mm] OVERALL CABLE LENGTH TOLERANCE: ≤12 [305] = +1 [25] / -0 >12 [305] ≤60 [1524] = +2 [51] / -0 >60 [1524] ≤120 [3048] = +4 [102] / -0 >120 [3048] ≤300 [7620] = +6 [152] / -0 >300 [7620] = +5% / -0 ALL OTHER DIMENSIONAL TOLERANCES: .X = ± .2 [5]   FRACTIONS ± 1/32 .XX = ± .02 [5]   ANGLES ± 1° .XXX = ± .005 [1.3]	APPROVALS DRAWN BY HBAKKE CHECKED BY DMAY APPROVED BY JWASKE	DATE 7/27/2023 07/27/2023 07/27/2023	<b>L-com</b> an INFINITI® brand 50 High Street, West Mill, North Andover, MA 01845 USA. Phone: 1.800.341.5266 1.978.682.6936		
	THIRD-ANGLE PROJECTION 	CONFIGURATION DETAILS OF UNDIMENSIONED FEATURES MAY VARY COLOR VARIATIONS MAY OCCUR	CATEGORY <b>RACKS &amp; CABINETS</b>	PRODUCT DESCRIPTION <b>45U ADJUSTABLE DEPTH 4-POST OPEN FRAME NETWORK RACK RAL9003 -SIGNAL WHITE</b>	
		SIZE <b>A</b>	CAGE CODE <b>43321</b>	ITEM NO. <b>LC-SW4POST45-W</b>	REV. <b>A</b>
		SCALE: NONE	CAD FILE: LC-SW4POST45-W_LC.SLDDRW	SHEET 1 OF 1	