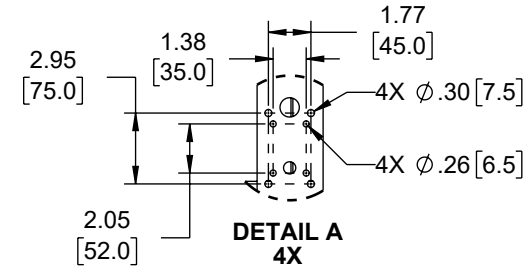
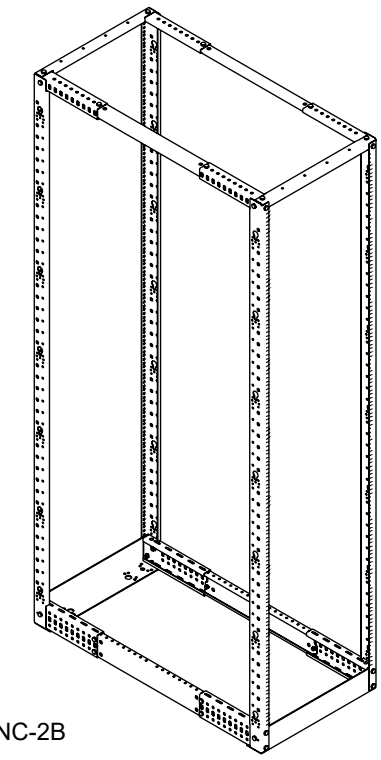
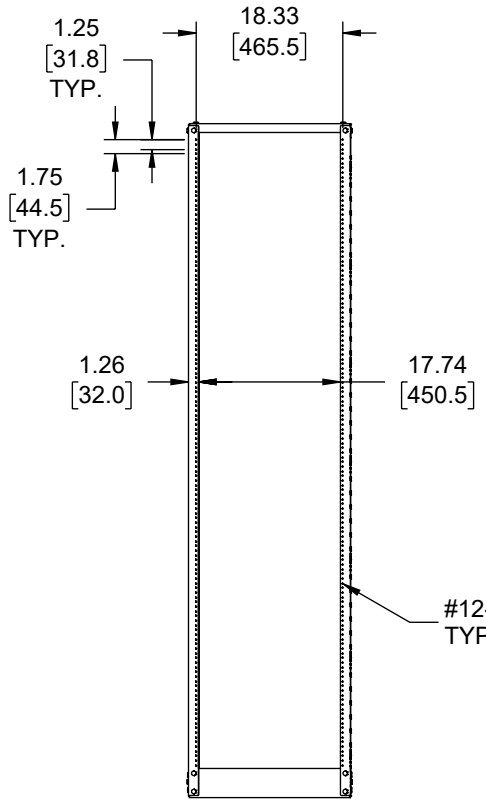
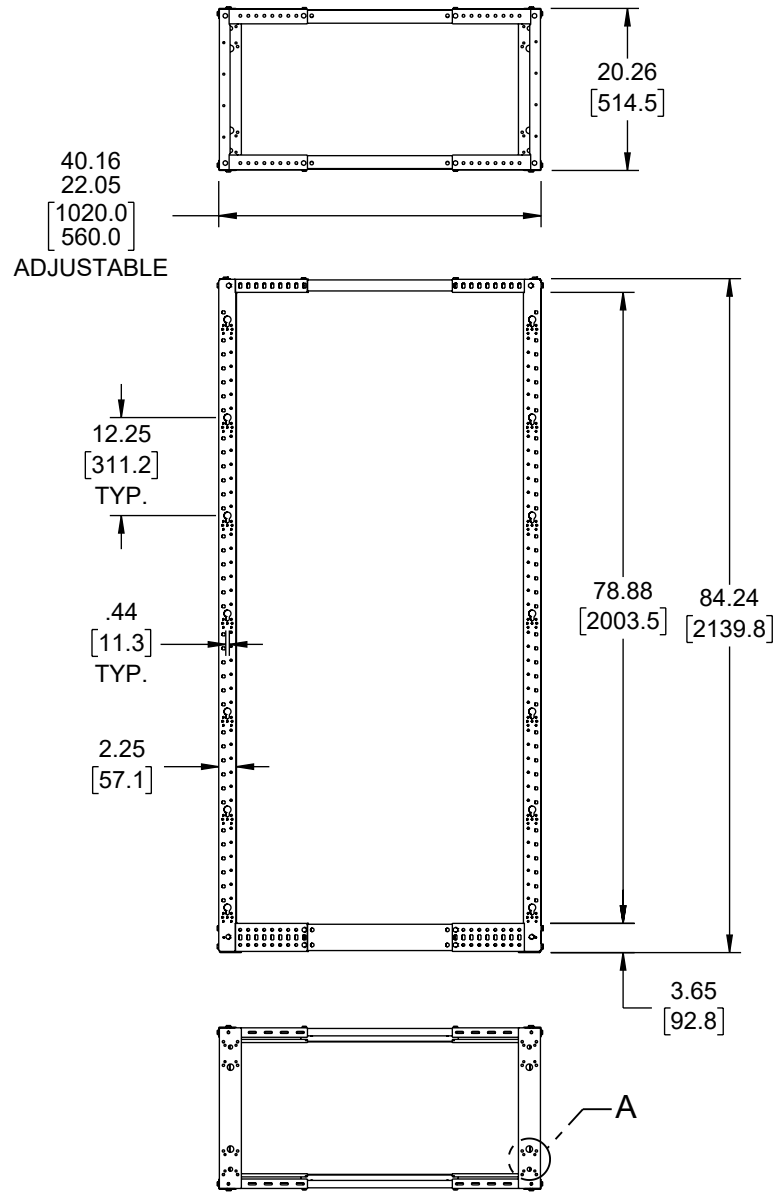


THE INFORMATION CONTAINED IN THIS DRAWING IS THE SOLE PROPERTY OF L-COM, INC. ANY REPRODUCTION IN PART OR WHOLE WITHOUT THE WRITTEN PERMISSION OF L-COM, INC. IS PROHIBITED.

REVISION					
ZONE	REV	DESCRIPTION	DATE	CHANGED BY	APPROVED
	A	INITIAL RELEASE	07/27/2023	HBAKKE	THOUGHTON

D
C
B
A



- NOTES:
1. MAXIMUM MOUNTING DEPTH: 40.16" [1020mm]
 2. MINIMUM MOUNTING DEPTH: 22.05" [560mm]
 3. MOUNTING DEPTH ADJUSTABLE IN 1.00" [25.4mm] INCREMENTS.

<p>UNLESS OTHERWISE SPECIFIED, DIMENSIONS ARE IN INCHES [mm]</p> <p>OVERALL CABLE LENGTH TOLERANCE: ≤12 [305] = +1 [25] / -0 >12 [305] ≤60 [1524] = +2 [51] / -0 >60 [1524] ≤120 [3048] = +4 [102] / -0 >120 [3048] ≤300 [7620] = +6 [152] / -0 >300 [7620] = +5% / -0</p> <p>ALL OTHER DIMENSIONAL TOLERANCES: .X = ± .2 [5] FRACTIONS ± 1/32 .XX = ± .02 [5] ANGLES ± 1° .XXX = ± .005 [1.3]</p> <p>THIRD-ANGLE PROJECTION</p>	<p>APPROVALS</p> <p>DRAWN BY HBAKKE</p> <p>CHECKED BY DMAY</p> <p>APPROVED BY JWASKE</p>	<p>DATE</p> <p>7/27/2023</p> <p>07/27/2023</p> <p>07/27/2023</p>	<p>L-com an INFINITI® brand</p> <p>50 High Street, West Mill, North Andover, MA 01845 USA. Phone: 1.800.341.5266 1.978.682.6936</p>
	<p>CONFIGURATION DETAILS OF UNDIMENSIONED FEATURES MAY VARY</p> <p>COLOR VARIATIONS MAY OCCUR</p>	<p>PRODUCT DESCRIPTION</p> <p>45U ADJUSTABLE DEPTH 4-POST OPEN FRAME (12-24) NETWORK RACK RAL9003 -SIGNAL WHITE</p> <p>SIZE: A CAGE CODE: 43321 ITEM NO.: LC-SW4POST45(12-24)W</p> <p>SCALE: NONE CAD FILE: LC-SW4POST45(12-24)W_LC.SLDDRW SHEET 1 OF 1</p>	

8 7 6 5 4 3 2 1