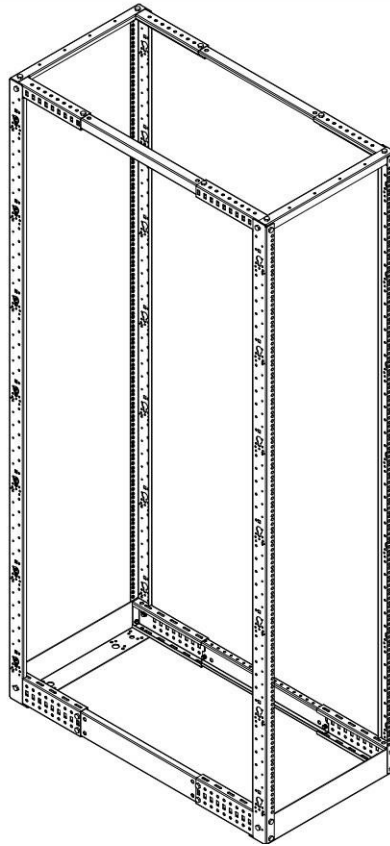


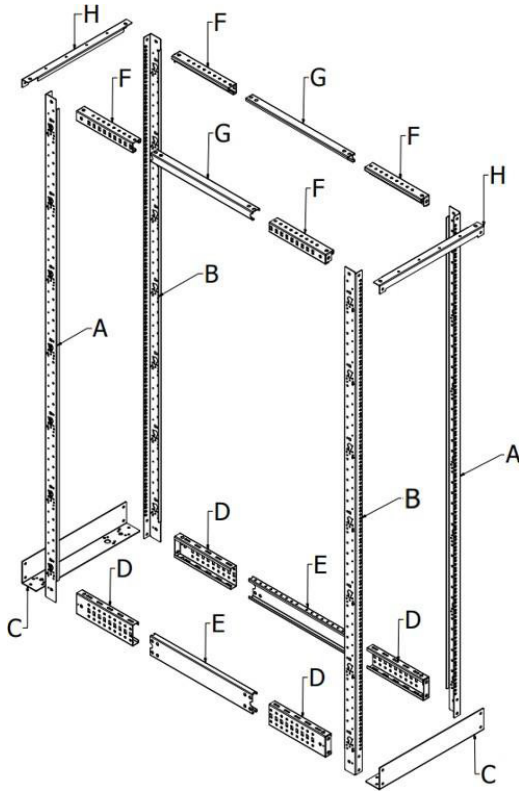
4 Post Open Frame Rack 12U/18U/25U/45U (Tapped Hole Version)



Keep this information for further reference.

- Thank you for purchasing an SMC product.
- Please examine the product for any damaged parts. If any part is damaged or missing, contact SMC for assistance. Do not attempt to install or use product if it has been damaged.
- During installation, lay product contents on cardboard or other protective surface to avoid any damage.
- Improper installation or use of this product could result in damage to the product, other equipment, or personal injury. It is recommended that installation be performed by a qualified installer. SMC cannot be held responsible for damage to equipment or personal injury resulting from improper use or installation of product. If product is intended to store/mount equipment, please ensure the equipment stored/mounted does not exceed the specified weight capacity.
- Limitations of Liability: In no event will SMC be liable for any damages, whether direct or indirect, special, punitive, incidental or consequential damages (including, but not limited to, lost profits or revenue, loss of use, lost business opportunities or loss of goodwill) or for the costs of procuring substitute products, arising out of or in connection with the use of the product, whether such liability arises from any claim based upon contract, warranty, tort (including negligence), product liability or otherwise, whether or not seller has been advised of the possibility of such loss or damage. In no event will seller's total cumulative liability, from all causes of action and all theories of liability, exceed the total amounts actually paid to seller by customer under the order that gives rise to any liability hereunder.

 Parts Identification



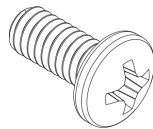
- A.** Left Vertical Rail (2)
- B.** Right Vertical Rail (2)
- C.** Base Bracket (2)
- D.** Bottom Corner Section (4)
- E.** Bottom Center Section (2)
- F.** Top Corner Section (4)
- G.** Top Center Section (2)
- H.** Top Bracket (2)

I



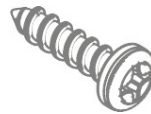
M8 x 16mm Hex
Screws (x36)

J



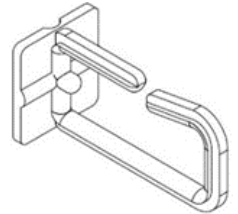
12-24 Mounting Screws
12U/18U/22U/25U(x20)
37U(x30)
42U/45U(x40)

K



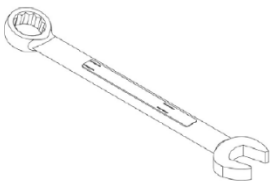
Hook Mounting Screws
12U(x8) 18U/22U(x12)
25U/37U(x16)
42U(x40) 45U(x28)

L



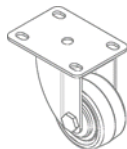
Cable Management Hooks
(x8) 12U(x8)
18U/22U(x12)
25U/37U(x16)
42U(x40) 45U(x28)

M



M8 Wrench (x1)

N



Casters (x4)

O



M6 Caster Screws (x16)

P

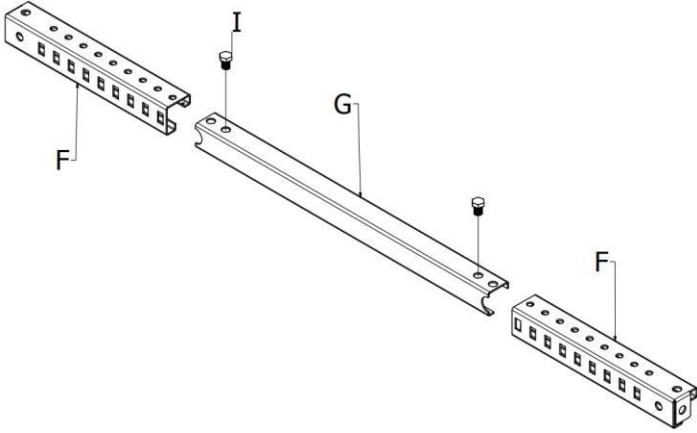
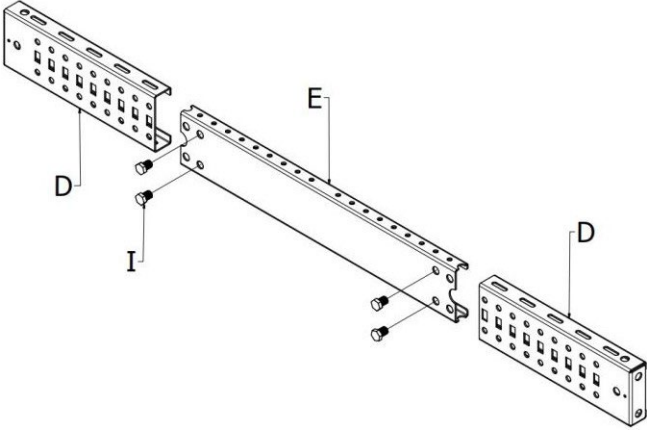


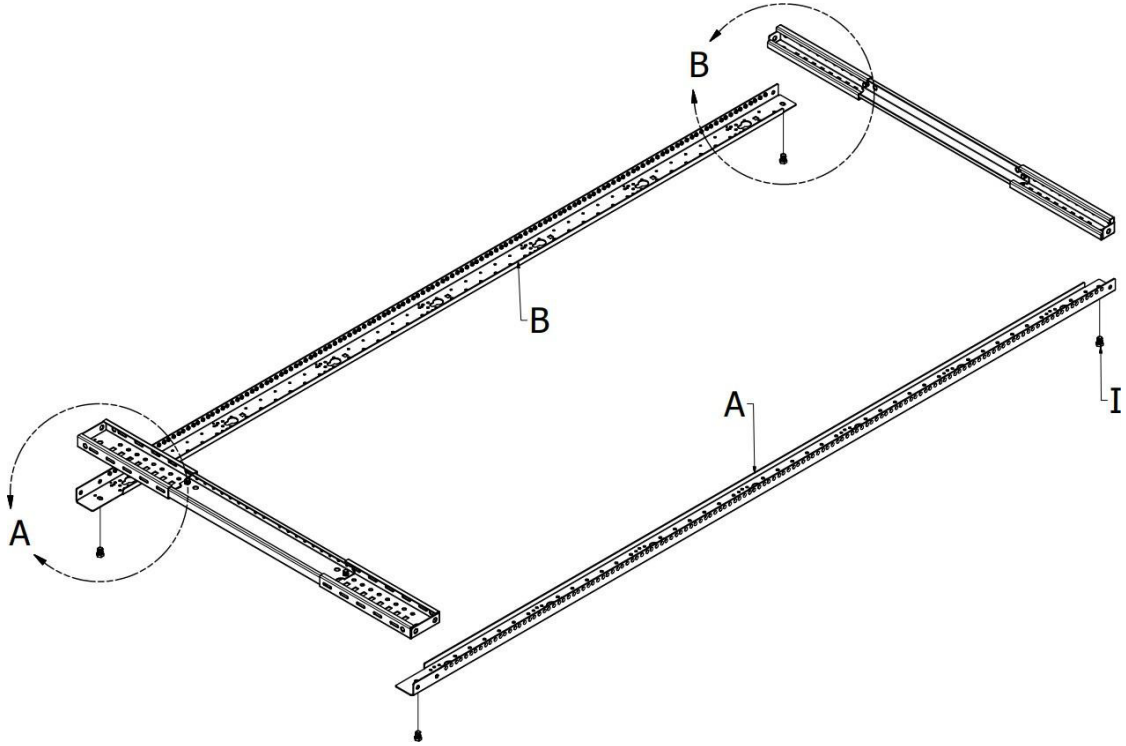
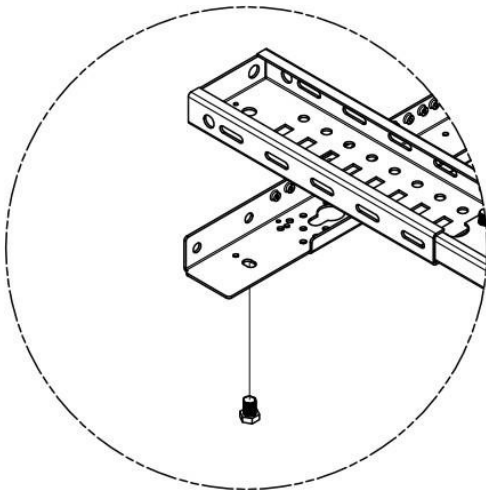
M6 Flange Nuts (x16)

Rack Depth Table

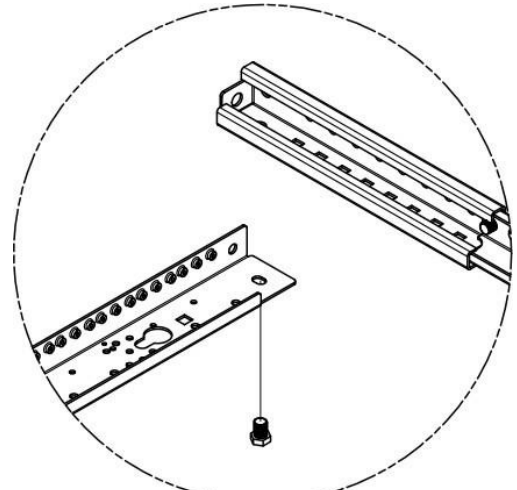
Numbers	Mounting Depth (in)
8 and 8	38
7 and 7	37
6 and 6	36
6 and 7	35
6 and 6	34
5 and 6	33
5 and 5	32
4 and 5	31
4 and 4	30
3 and 4	29
3 and 3	28
2 and 3	27
2 and 2	26
1 and 2	25
1 and 1	24
0 and 1	23
0 and 0	22

Rack Assembly

<p>A</p>  <p>2X</p> <p>Assemble the top section by sliding two top corner sections F over the ends of the top center section G. Align the pieces so the numbers printed on the center section show through the cutouts in the two top corner sections. The numbers determine the rack's mounting depth. Use the Rack Depth Table (provided above) to assist with determining rack depth. When the sections are aligned at the required depth, use an M8 bolt I to fasten each section in place. Bolts should be fixed in place, but not completely tightened.</p> <p>Repeat the process to assemble the other top section. Make sure the depths match the other top section.</p>	 <p>2X</p> <p>Assemble the bottom section by sliding two bottom corner sections D inside the ends of the bottom center section E. Align the sections so the numbers match the numbers you used for the top sections. When the sections are aligned at the required depth, use two M8 bolts I to fasten each section in place. Bolts should be fixed in place, but not completely tightened.</p> <p>Repeat the process to assemble the other bottom section. Make sure the depths match the other bottom section.</p>
--	---

B**2X**

Detail A

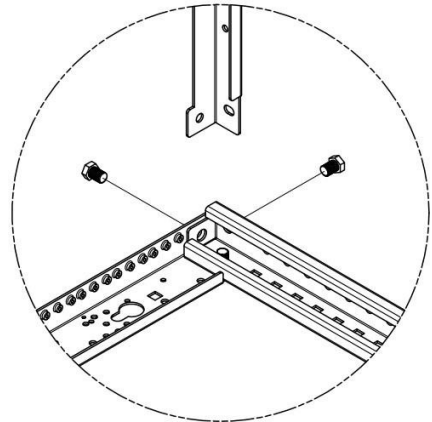
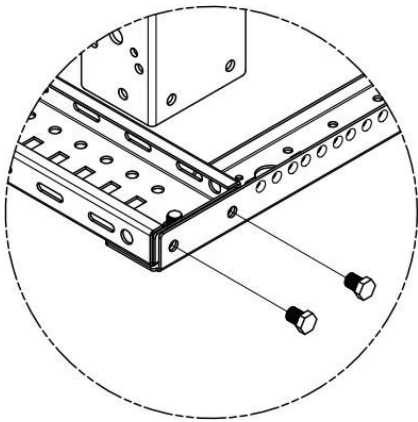
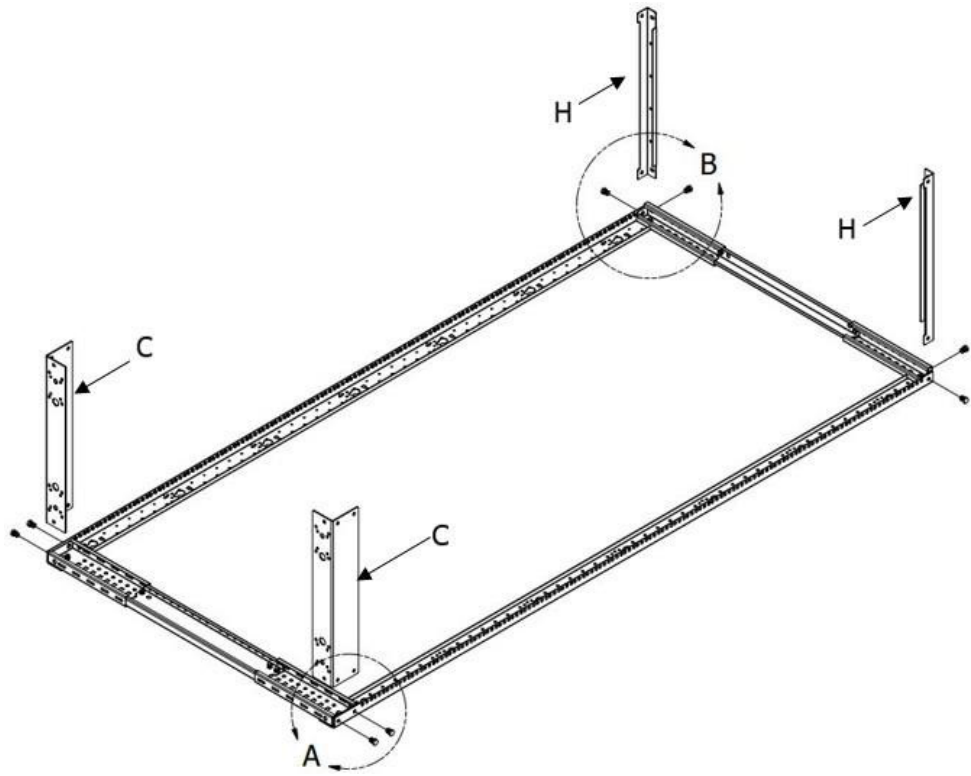


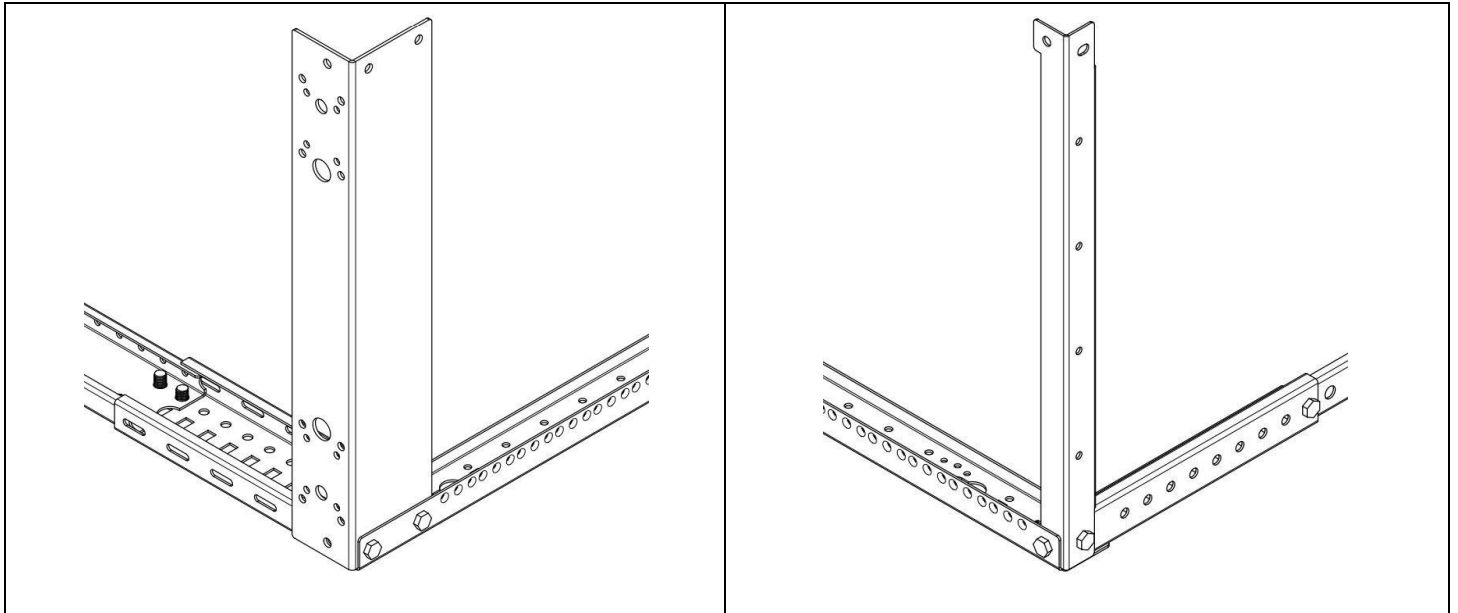
Detail B

Lay out the left vertical rail A, right vertical rail B, one of the assembled top sections and one of the assembled bottom sections in a rectangle on the floor or a stable work surface. Place all the pieces facedown. The assembled top and bottom sections are facedown when the inserted bolt heads are faceddown. The vertical rails are faceddown when the rails are lying flat on the side that has keyhole mounting slots. Insert the threaded M8 studs at the ends of the top and bottom sections through the corresponding holes in the vertical rails, but do not fasten yet.

Repeat the process to build another frame.

C

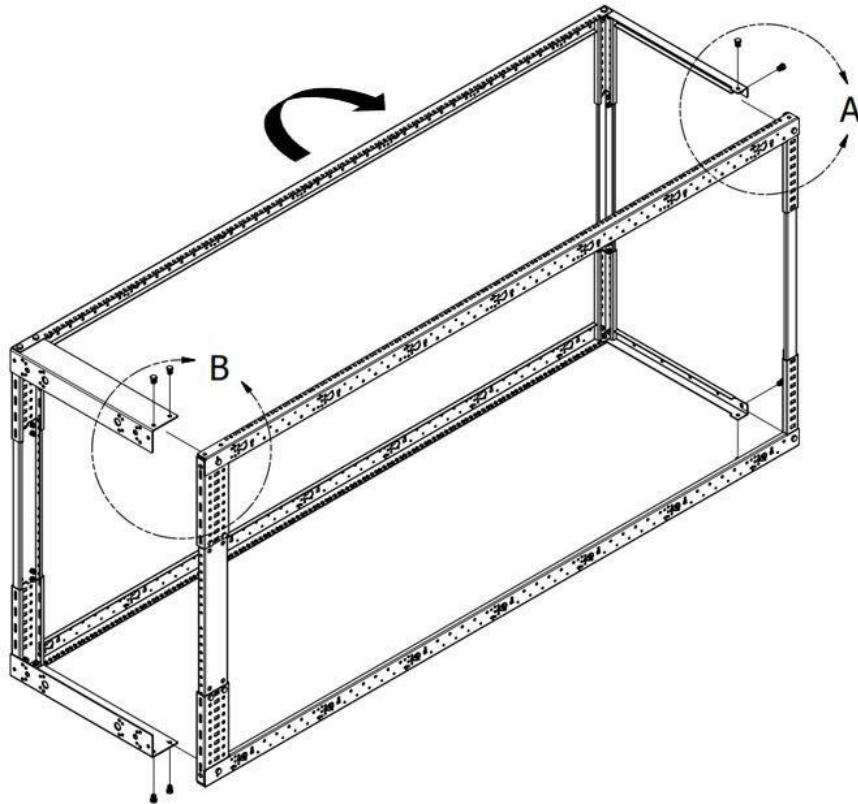


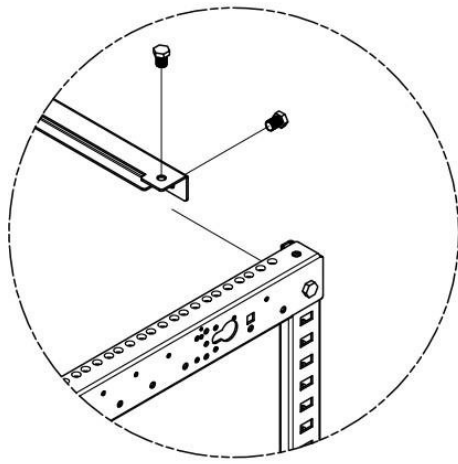


A: Insert the Base Bracket C between the assembled bottom section and Left (A) /Right Vertical Rail (B) and fasten with two M8 Hex Screws (I). Tighten 90%.

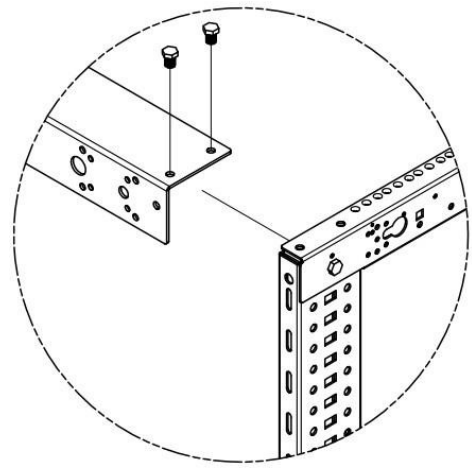
B: Insert the Top bracket H between the assembled top section and Left (A) /Right Vertical Rail (B) and fasten with two M8 Hex Screws (I). Tighten 90%.

D





Detail A



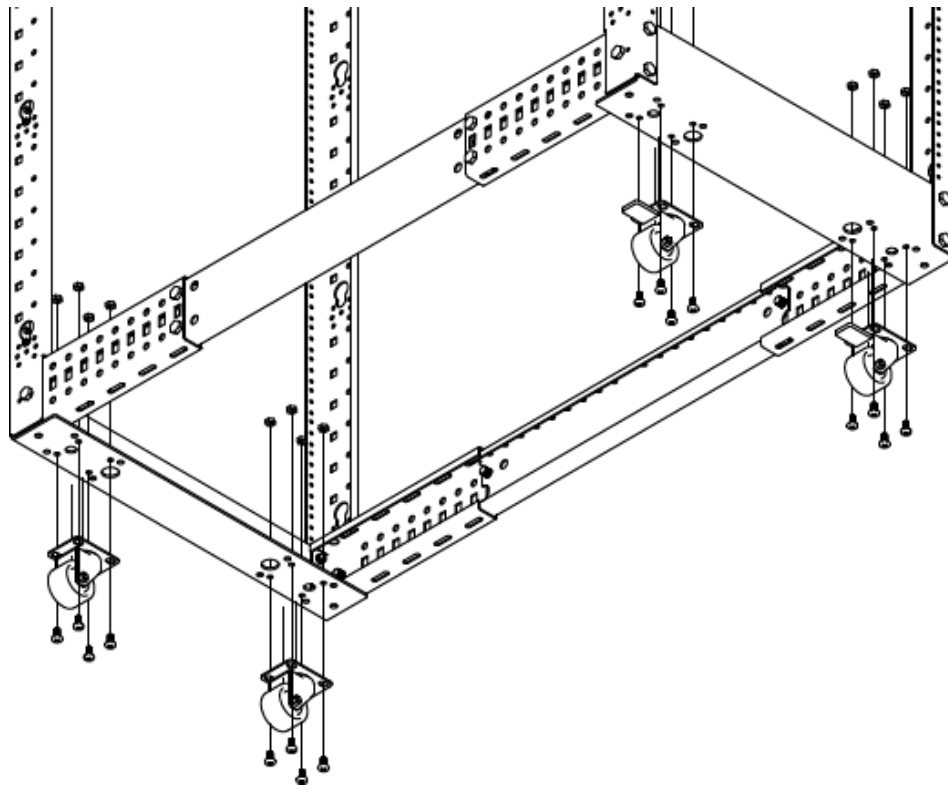
Detail B

As shown in the picture above, rotate the frame built in **Step C**.

Insert the frame built in **Step B** to the frame built in **Step C** and fasten with two M8 Hex Screws (I). Tighten 90%.

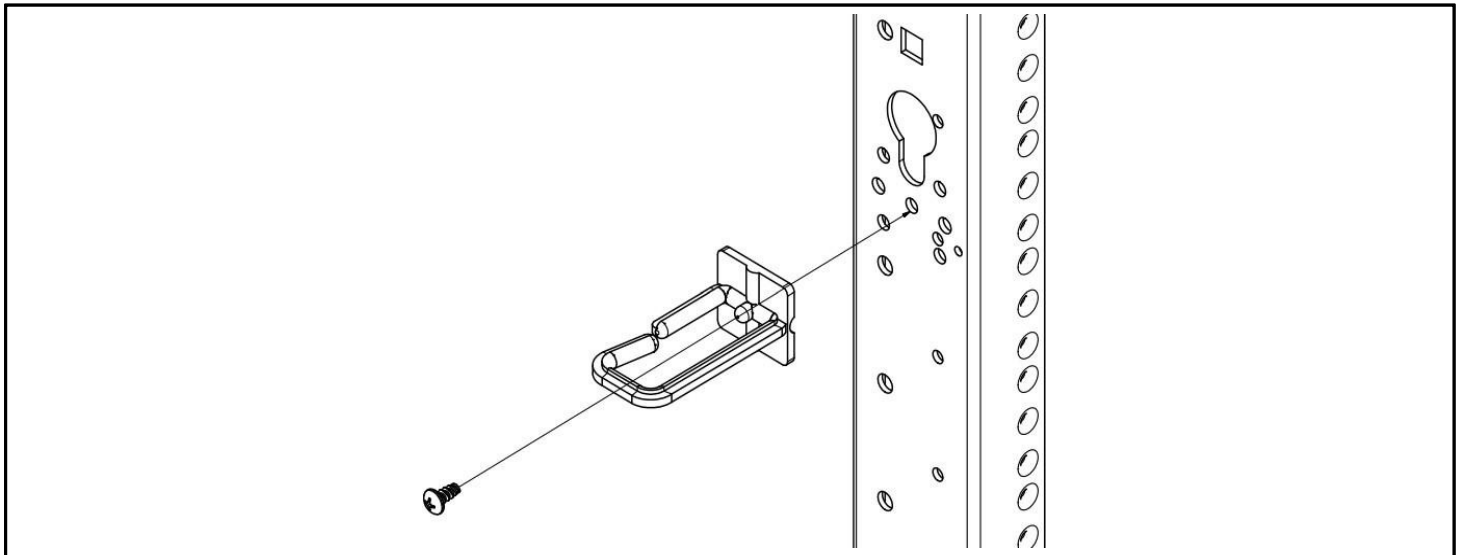
Place the rack upright on a level surface and confirm that the rack is stable. Tighten all nuts and bolts until fully secure.

Optional Casters



Attach 4 Casters (P) to each of the Base Bracket (C) using 4 of M6 Caster Screws (Q) and 4 of M6 Flange Nuts (R) for each Caster using a Phillips Screwdriver (not included)

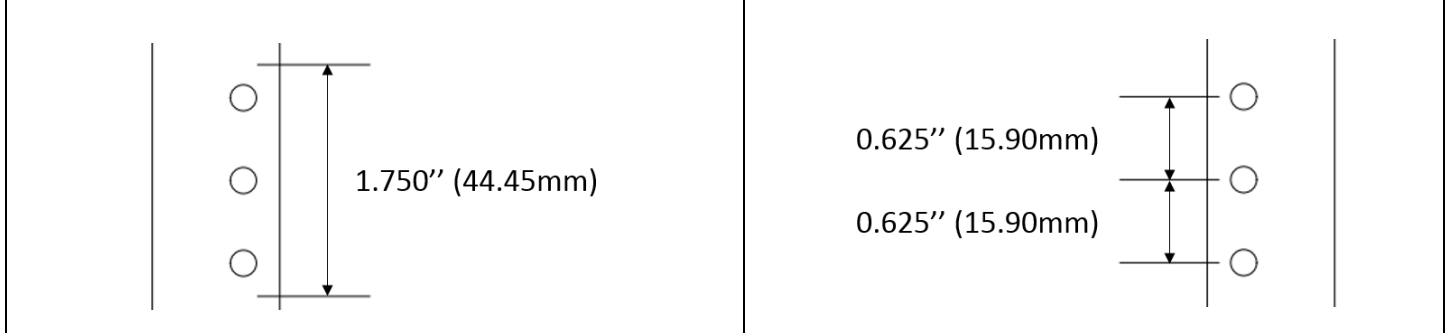
Optional Cable Management Hooks



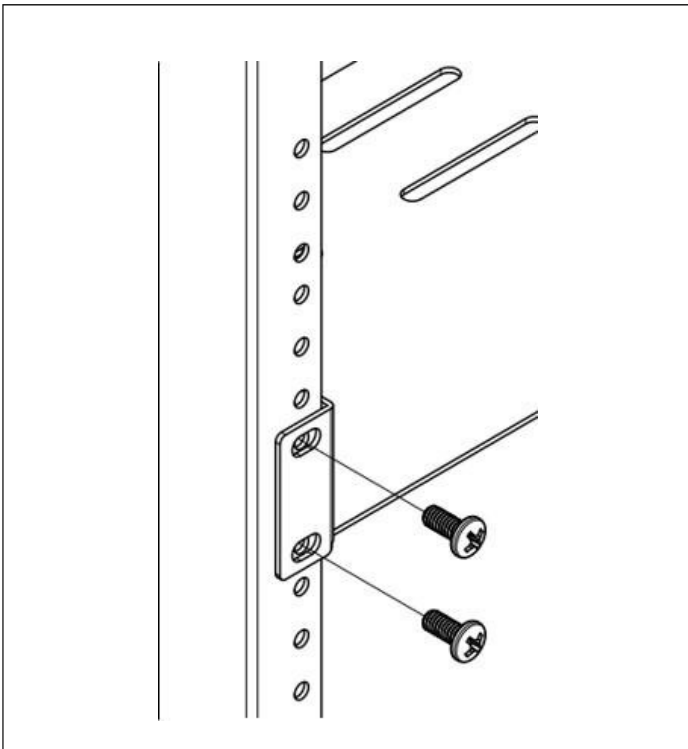
Fasten the included cable management hooks (L) to the vertical rack rails with the included screws (K).

Equipment Installation

1 Rack Unit



Tapped Hole Mounting



Use the included 12-24 Mounting Screws (J) to secure your equipment to the Vertical Rails.