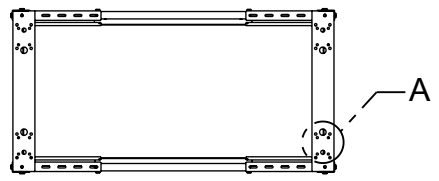
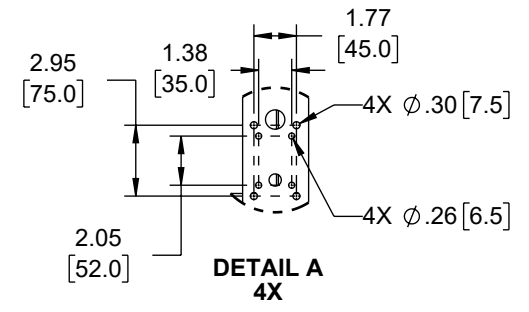
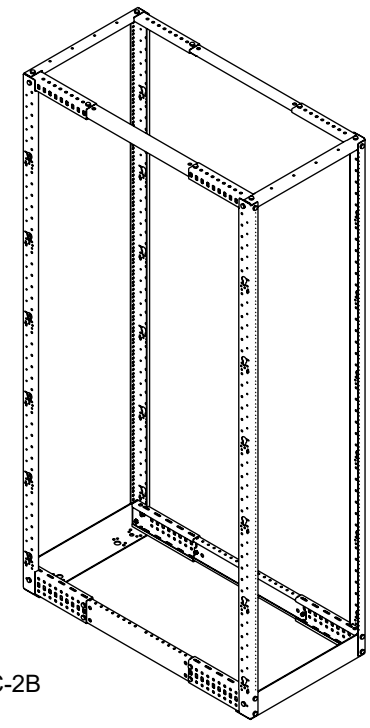
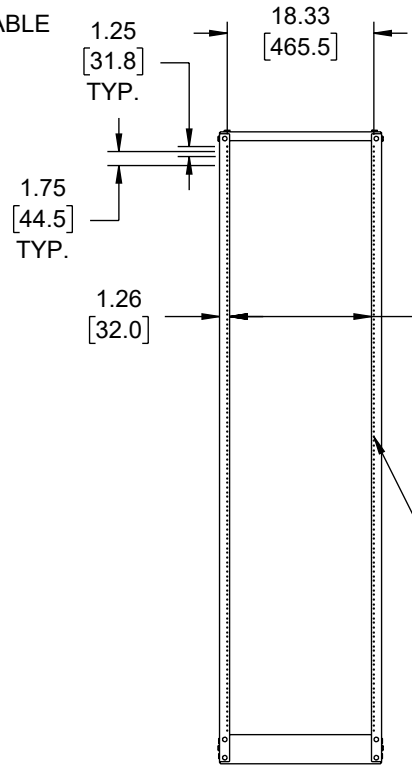
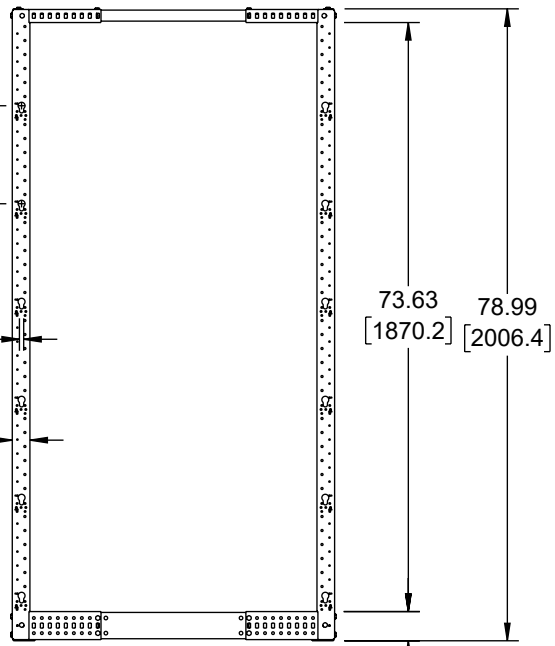
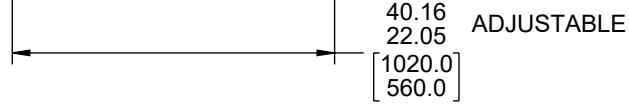
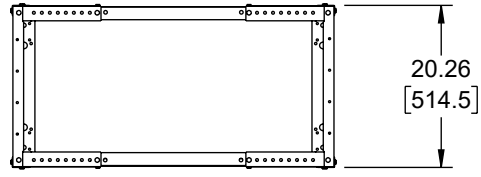

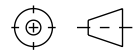


THE INFORMATION CONTAINED IN THIS DRAWING IS THE SOLE PROPERTY OF L-COM, INC. ANY REPRODUCTION IN PART OR WHOLE WITHOUT THE WRITTEN PERMISSION OF L-COM, INC. IS PROHIBITED.

REVISION					
ZONE	REV	DESCRIPTION	DATE	CHANGED BY	APPROVED
	A	INITIAL RELEASE	07/27/2023	HBAKKE	THOUGHTON



- NOTES:
1. MAXIMUM MOUNTING DEPTH: 40.16" [1020mm]
 2. MINIMUM MOUNTING DEPTH: 22.05" [560mm]
 3. MOUNTING DEPTH ADJUSTABLE IN 1.00" [25.4mm] INCREMENTS.

UNLESS OTHERWISE SPECIFIED, DIMENSIONS ARE IN INCHES [mm]	APPROVALS	DATE	 50 High Street, West Mill, North Andover, MA 01845 USA. Phone: 1.800.341.5266 1.978.682.6936		
	DRAWN BY HBAKKE CHECKED BY DMAY APPROVED BY JWASKE	7/27/2023 07/27/2023 07/27/2023		CATEGORY RACKS & CABINETS	
OVERALL CABLE LENGTH TOLERANCE: ≤12 [305] = +1 [25] / -0 >12 [305] ≤60 [1524] = +2 [51] / -0 >60 [1524] ≤120 [3048] = +4 [102] / -0 >120 [3048] ≤300 [7620] = +6 [152] / -0 >300 [7620] = +5% / -0	CONFIGURATION DETAILS OF UNDIMENSIONED FEATURES MAY VARY	PRODUCT DESCRIPTION 42U ADJUSTABLE DEPTH 4-POST OPEN FRAME (12-24) NETWORK RACK RAL9003 -SIGNAL WHITE			
ALL OTHER DIMENSIONAL TOLERANCES: .X = ± .2 [5] FRACTIONS ± 1/32 .XX = ± .02 [.5] ANGLES ± 1° .XXX = ± .005 [.13]	COLOR VARIATIONS MAY OCCUR	SIZE A	CAGE CODE 43321	ITEM NO. LC-SW4POST42(12-24)W	REV. A
THIRD-ANGLE PROJECTION 	SCALE: NONE		CAD FILE: LC-SW4POST42(12-24)W_LC.SLDDRW SHEET 1 OF 1		