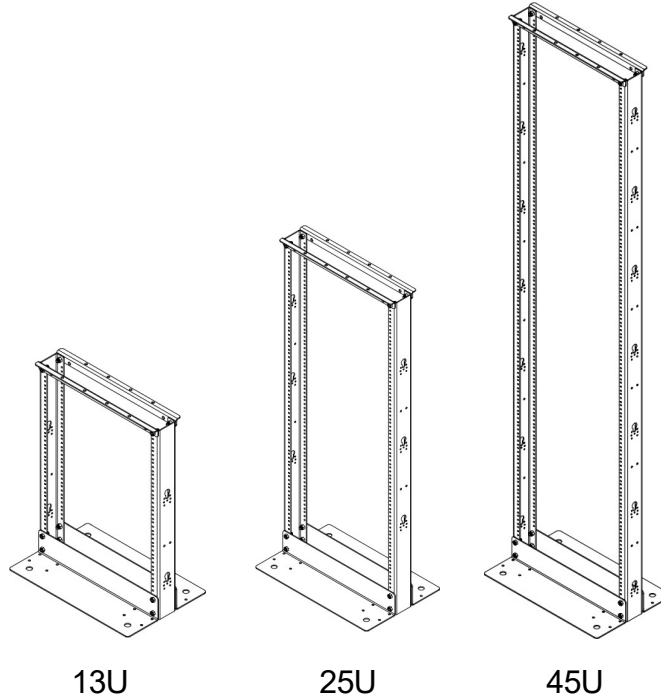


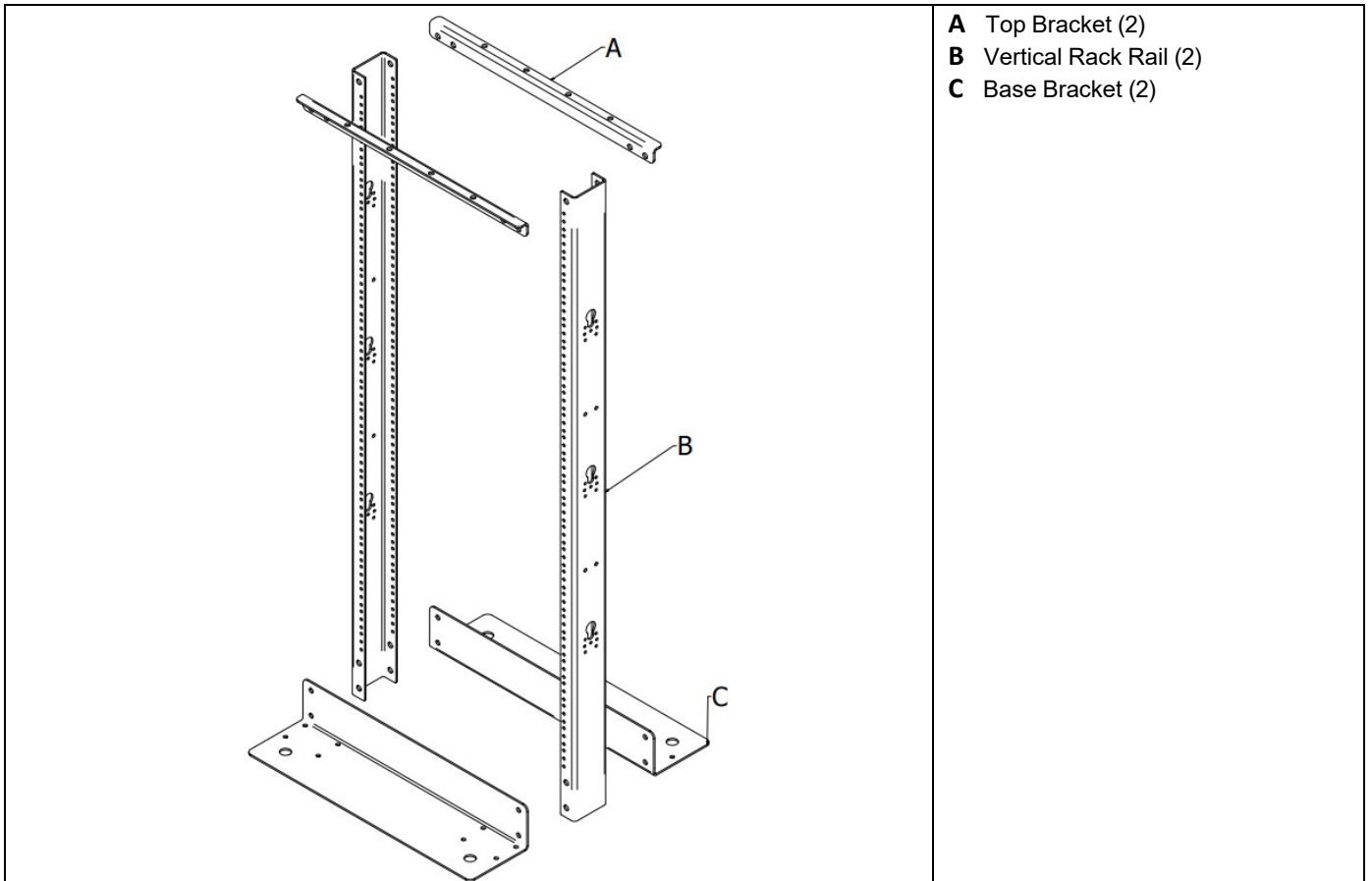
2 Post Open Frame Rack 13U/25U/45U



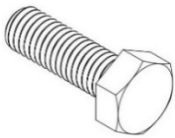
Keep this information for further reference.

- Thank you for purchasing an SMC product.
- Please examine the product for any damaged parts. If any part is damaged or missing, contact SMC for assistance. Do not attempt to install or use product if it has been damaged.
- During installation, lay product contents on cardboard or other protective surface to avoid any damage.
- Improper installation or use of this product could result in damage to the product, other equipment, or personal injury. It is recommended that installation be performed by a qualified installer. SMC cannot be held responsible for damage to equipment or personal injury resulting from improper use or installation of product. If product is intended to store/mount equipment, please ensure the equipment stored/mounted does not exceed the specified weight capacity. Install the heaviest equipment first and install it at the bottom of the rack. Install equipment starting from the bottom of the rack and move upward.
- Limitations of Liability: In no event will SMC be liable for any damages, whether direct or indirect, special, punitive, incidental or consequential damages (including, but not limited to, lost profits or revenue, loss of use, lost business opportunities or loss of goodwill) or for the costs of procuring substitute products, arising out of or in connection with the use of the product, whether such liability arises from any claim based upon contract, warranty, tort (including negligence), product liability or otherwise, whether or not seller has been advised of the possibility of such loss or damage. In no event will seller's total cumulative liability, from all causes of action and all theories of liability, exceed the total amounts actually paid to seller by customer under the order that gives rise to any liability hereunder.

 Parts Identification

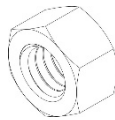


D



3/8"-16 Hex Bolts (x12)

E



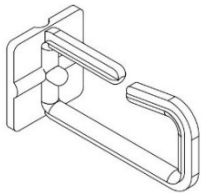
3/8"-16 Nuts (x12)

F



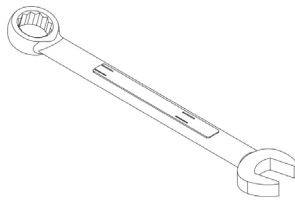
Hook Mounting Screws
 13U (x4) 25U (x8) 45U (x14)

G



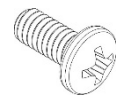
Cable Management Hooks
 13U (x4) 25U (x8) 45U (x14)

H



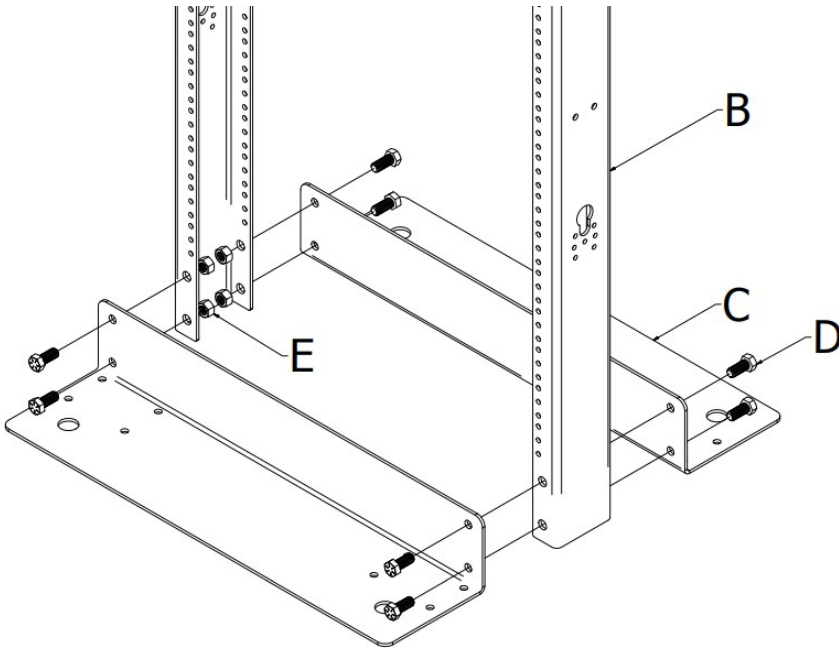
Wrench (x1)

I

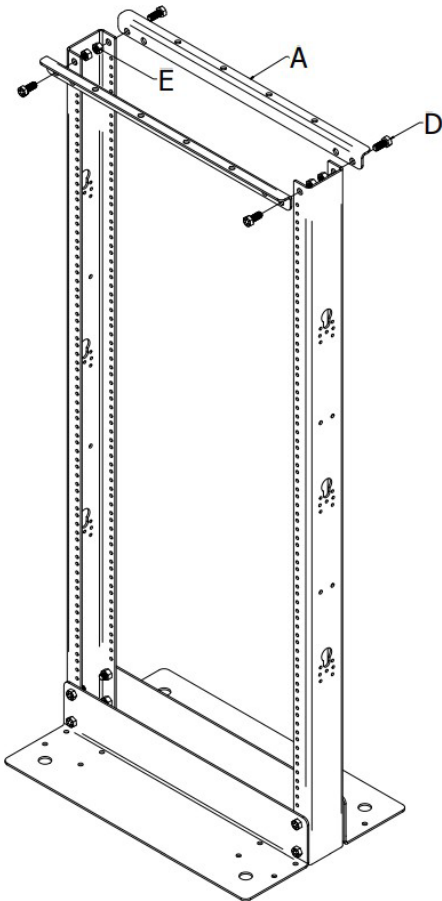


12-24 Mounting Screws
 Silver (x28) Black (x28)

 Rack Assembly

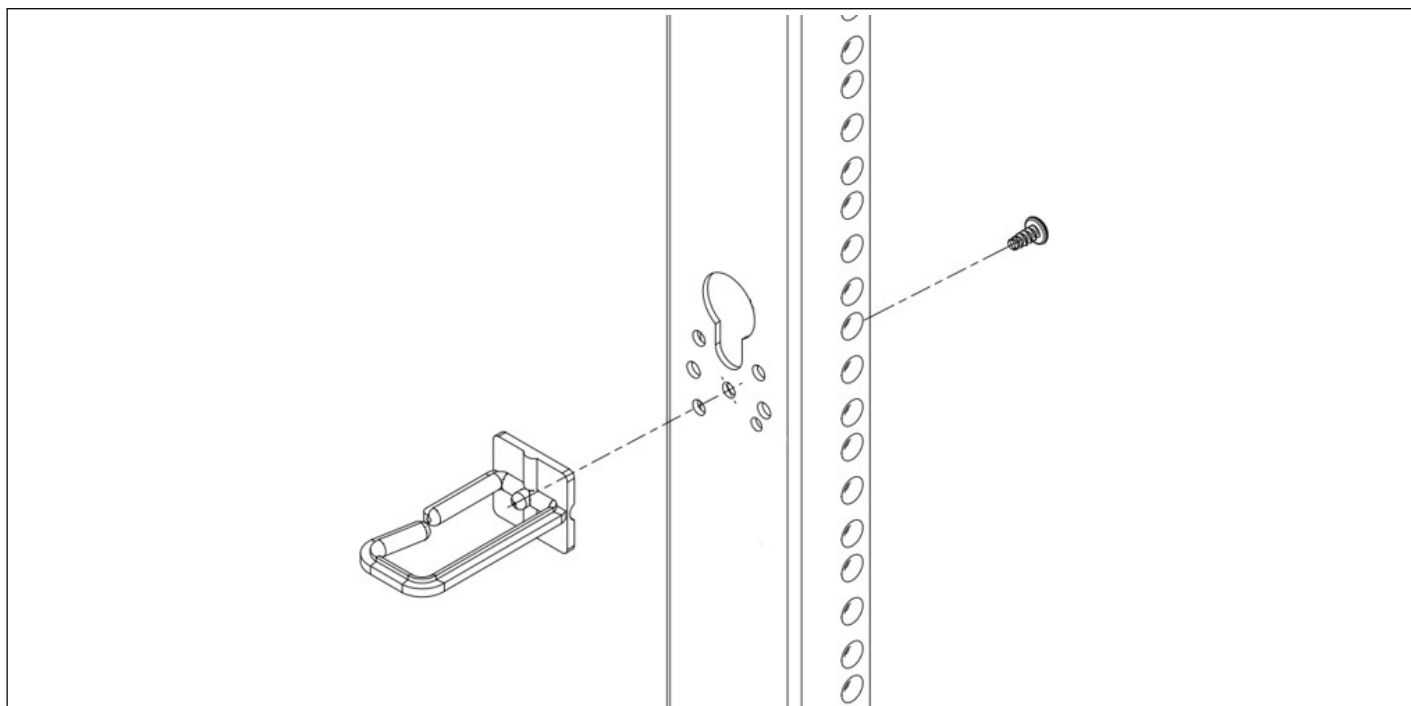


Connect Vertical Rack Rails (B) to the Base Brackets (C) with 8 of the 3/8"-16 Hex Bolts (D) and 8 of the 3/8"-16 Nuts (E) using Wrench (H).



Connect Top Brackets (A) to the combined Vertical Rack Rails with 8 of the 3/8"-16 Hex Bolts (D) and 8 of the 3/8"-16 Nuts (E) using Wrench (H).

Optional Cable Management Hooks



Optional: Fasten the included Cable Management Hooks (G) to the vertical rack rails with the included Hook Mounting screws (F) using a Phillips Screwdriver (not included).