

THE INFORMATION CONTAINED IN THIS DRAWING IS THE SOLE PROPERTY OF L-COM, INC. ANY REPRODUCTION IN PART OR WHOLE WITHOUT THE WRITTEN PERMISSION OF L-COM, INC. IS PROHIBITED.

REVISION					
ZONE	REV	DESCRIPTION	DATE	CHANGED BY	APPROVED
	A	INITIAL RELEASE	07/26/2023	HBAKKE	THOUGHTON

D

C

B

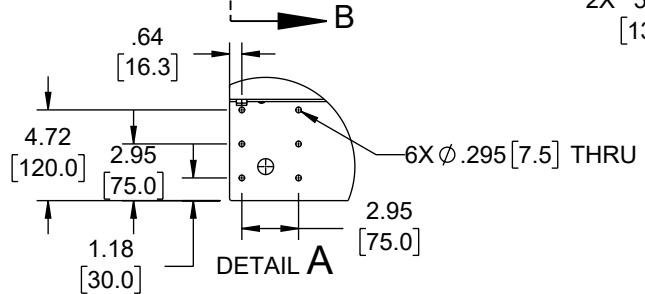
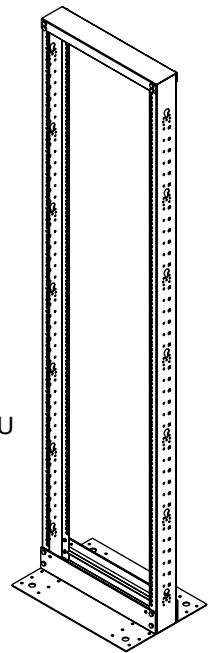
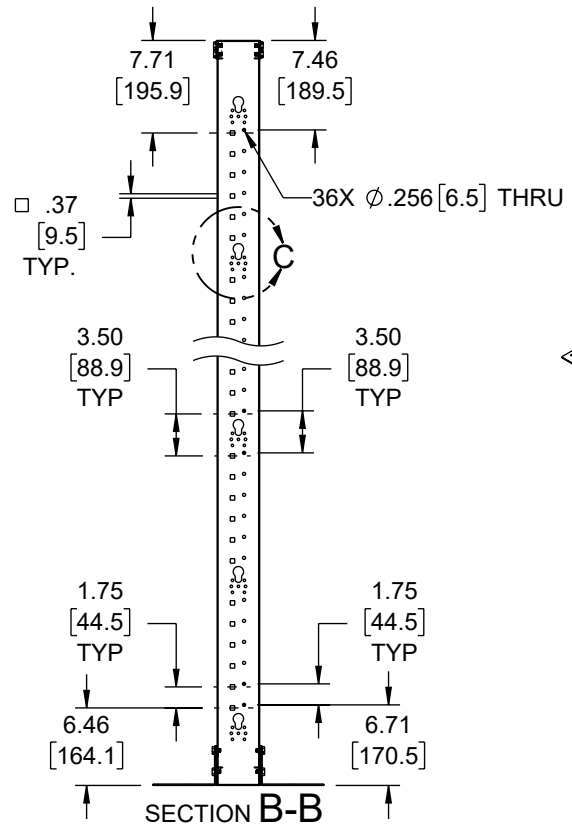
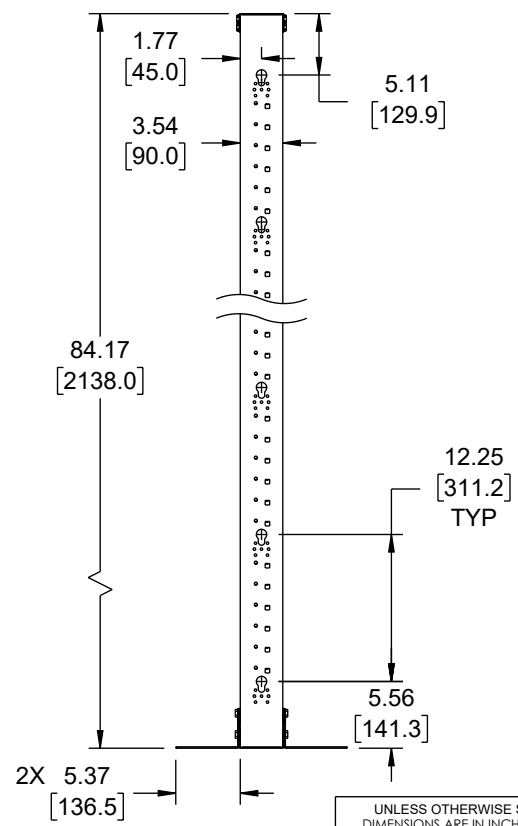
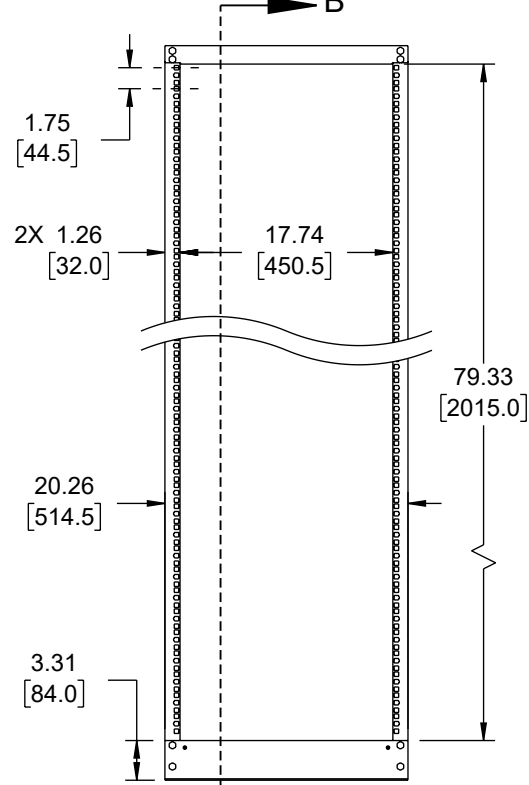
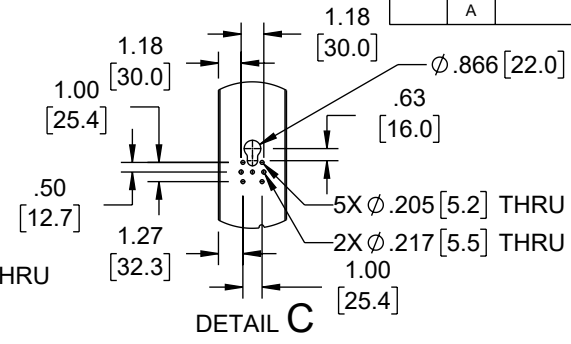
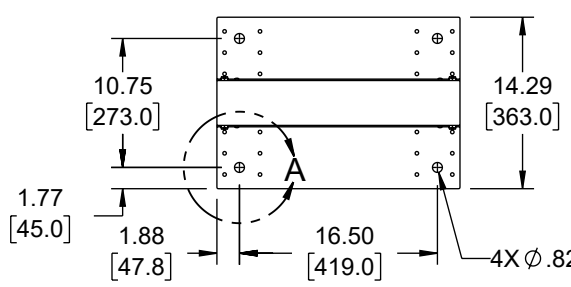
A

D

C

B

A



<p>UNLESS OTHERWISE SPECIFIED, DIMENSIONS ARE IN INCHES [mm]</p> <p>OVERALL CABLE LENGTH TOLERANCE:          ≤12 [305] = +1 [25] / -0          &gt;12 [305] ≤60 [1524] = +2 [51] / -0          &gt;60 [1524] ≤120 [3048] = +4 [102] / -0          &gt;120 [3048] ≤300 [7620] = +6 [152] / -0          &gt;300 [7620] = +5% / -0</p> <p>ALL OTHER DIMENSIONAL TOLERANCES:          .X = ±.2 [5]   FRACTIONS ± 1/32          .XX = ±.02 [5]   ANGLES ± 1°          .XXX = ±.005 [13]</p> <p>THIRD-ANGLE PROJECTION</p>	APPROVALS	DATE	<p>50 High Street, West Mill, North Andover, MA 01845 USA. Phone: 1.800.341.5266 1.978.682.6936</p>	
	DRAWN BY HBAKKE	7/26/2023		
	CHECKED BY DMAY	07/26/2023	PRODUCT DESCRIPTION 45U 2-POST OPEN FRAME SERVER RACK RAL9003 - SIGNAL WHITE	
	APPROVED BY JWASKE	07/26/2023	SIZE A	CAGE CODE 43321
CONFIGURATION DETAILS OF UNDIMENSIONED FEATURES MAY VARY		COLOR VARIATIONS MAY OCCUR		REV. A
SCALE: NONE		CAD FILE: LC-SW2POST45-W_LC.SLDDRW		SHEET 1 OF 1