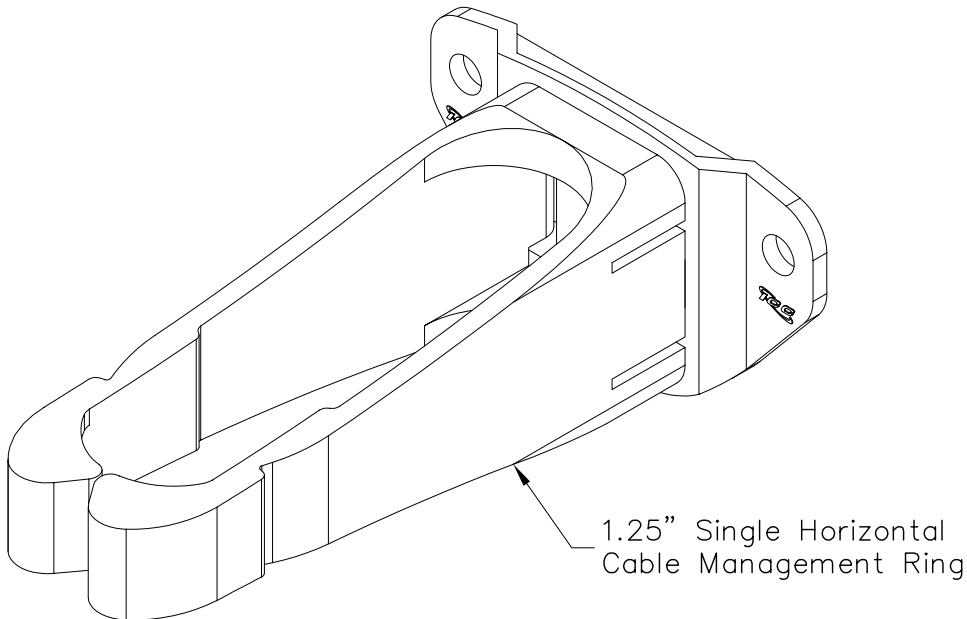


1.25" Single Horizontal Cable Management Ring

PRODUCT SPECIFICATION

Package includes:

- A. 1.25" Single Horizontal Cable Management Ring, 1 pc
- B. #12-24 x 5/8" Pan Head, Pilot Point Machine Screw, 2 pcs



Features and Benefits:

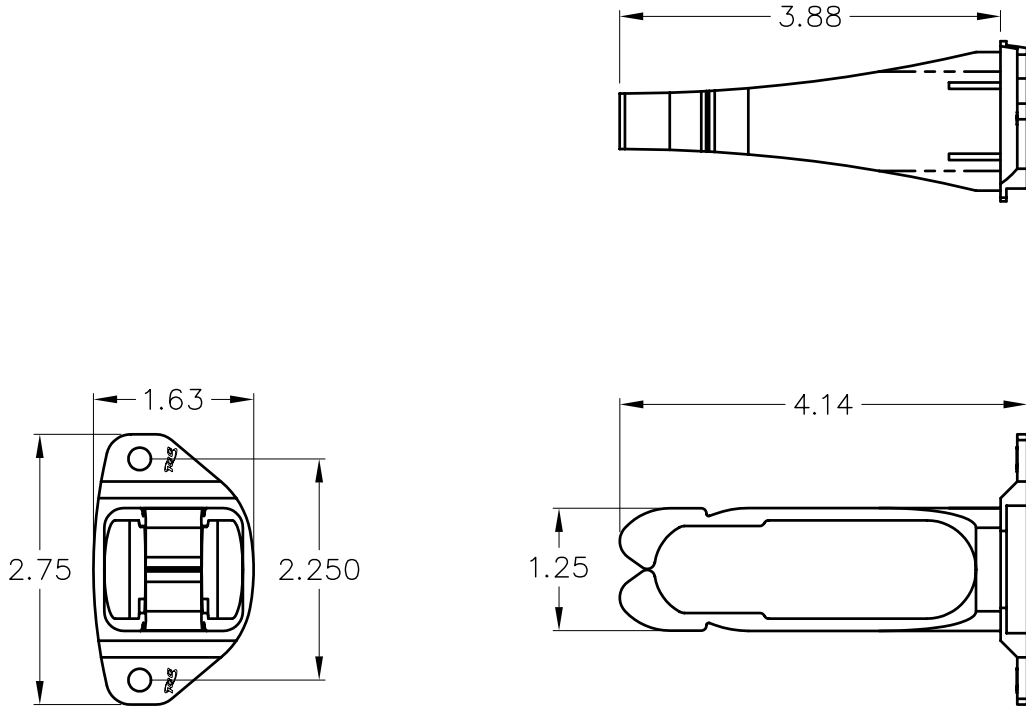
- Provides flexibility for front or back cable management with a neat and clean appearance
- Suitable for all racks, wall mount racks, and wall mount brackets
- Used with ICCMS distribution and cable management racks, ICCMSWMR wall mount racks, ICCMSSGR wall mount swing gate racks, ICCMSVHB wall mount vertical hinged brackets, and ICCMSHB wall mount hinged brackets

RING, HORIZONTAL CABLE MGMT, SINGLE, 1.25"

ITEM NO.	ICCMSCMPR6	REV.	A
DWG NO.	PSCMSCMPR6	PAGE NO.	1




CUSTOMER CARE / TECHNICAL SUPPORT * CSR@ICC.COM / 888-ASK-4-ICC (275-4422) * 16800 Edwards Road, Cerritos, CA 90703 * Phone 562-356-3111 * Fax 562-356-3100 * www.icc.com



NOTE: UNLESS OTHERWISE SPECIFIED

- 1. MATERIAL: HIGH IMPACT ABS, UL 94V-0
- 2. COLOR: BLACK

RING, HORIZONTAL CABLE MGMT, SINGLE, 1.25"			
ITEM NO.	ICCMSCMPR6		REV. A
DWG NO.	PSCMSCMPR6		PAGE NO. 2

CUSTOMER CARE / TECHNICAL SUPPORT * CSR@ICC.COM / 888-ASK-4-ICC (275-4422) * 16800 Edwards Road, Cerritos, CA 90703 * Phone 562-356-3111 * Fax 562-356-3100 * www.icc.com