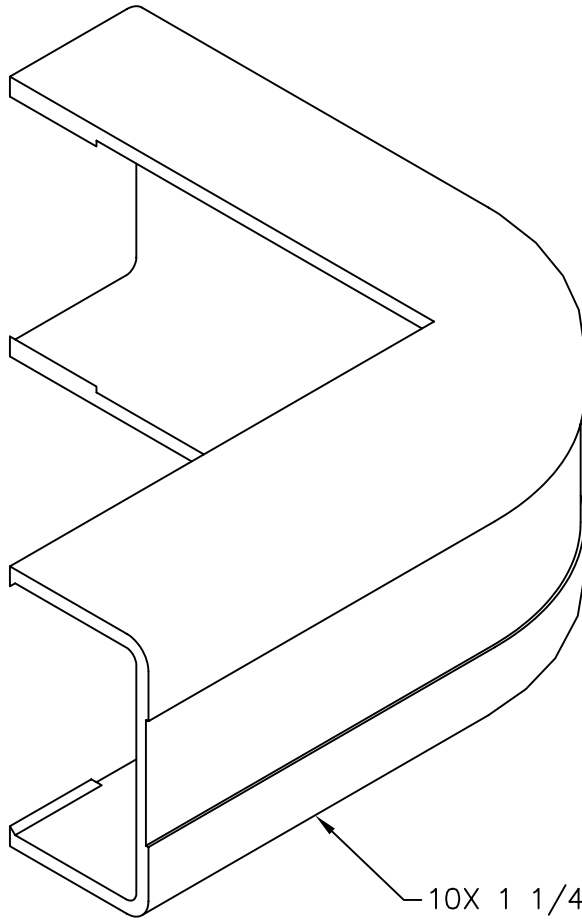


1 1/4" Outside Corner Cover

PRODUCT SPECIFICATION

Package includes:


A. 1 1/4" Outside Corner Cover, 10 pcs



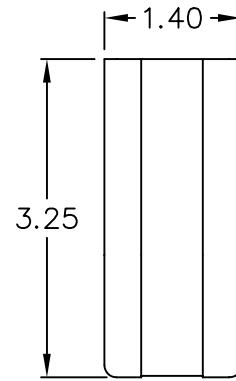
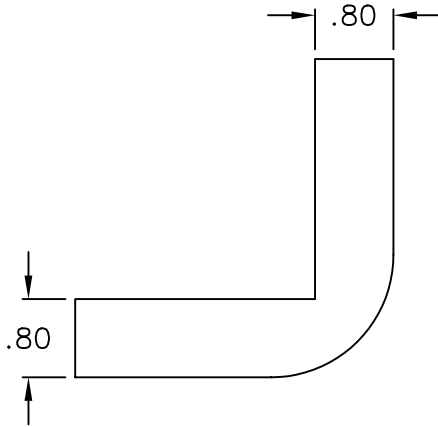
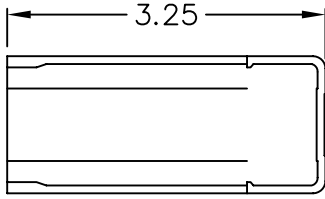
10X 1 1/4" Outside Corner Cover

Features and Benefits:

- Designed to maintain cable bend radius
- Accommodates ICRW12SR and ICRW128R 1 1/4"W x 3/4"H raceway sections
- Available in ivory and white


OUTSIDE CORNER COVER, 1 1/4", 10 PK		 <i>PremiumProducts</i> <i>ProvenPerformance</i> <i>CompetitivePrices</i>	
ITEM NO.	ICRW120CXX		REV. A
DWG NO.	PSRW120C00		PAGE NO. 1

CUSTOMER CARE / TECHNICAL SUPPORT * CSR@ICC.COM / 888-ASK-4-ICC (275-4422) * 14700 Alondra Blvd., La Mirada, CA 90638 * www.icc.com



NOTE: UNLESS OTHERWISE SPECIFIED

1. MATERIAL: HIGH IMPACT STYRENE
2. COLOR: XX: IV-IVORY & WH-WHITE

OUTSIDE CORNER COVER, 1 1/4", 10 PK		 <i>PremiumProducts</i> ProvenPerformance <i>CompetitivePrices</i>	
ITEM NO.	ICRW120CXX		REV. A
DWG NO.	PSRW120C00		PAGE NO. 2

CUSTOMER CARE / TECHNICAL SUPPORT * CSR@ICC.COM / 888-ASK-4-ICC (275-4422) * 14700 Alondra Blvd., La Mirada, CA 90638 * www.icc.com