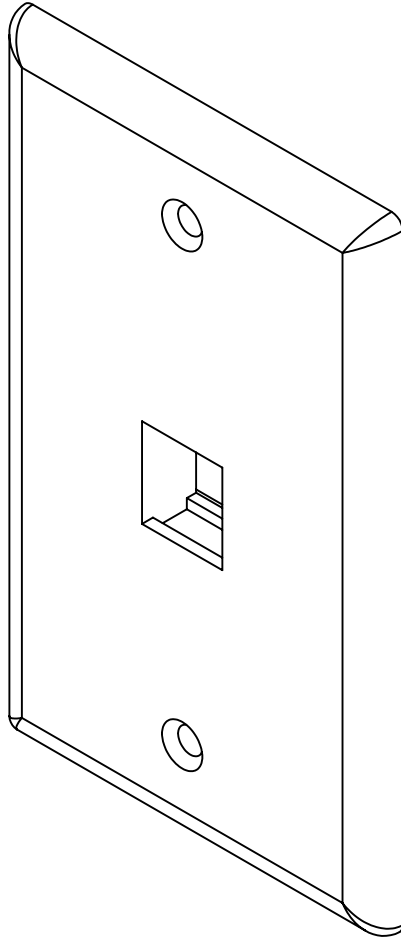


# 1-Port Single Gang Flat Faceplate

## PRODUCT SPECIFICATION



### Package includes:

- A. 1-Port Single Gang Flat Faceplate, 1 pc
- B. #6-32 x 3/4" Oval Head, Countersink Machine Screw, 2 pcs

1-Port Flat Faceplate

### Features and Benefits:

- Configured to fit standard single gang outlet box
- Designed to support the distribution of voice, data, and other communication needs to the work area for commercial or residential applications
- Rugged and durable construction
- Accommodates a wide variety of easy to snap-in modules, providing configuration flexibility
- Accepts all IC107 modules
- Available in almond, black, gray, ivory, and white
- UL listed

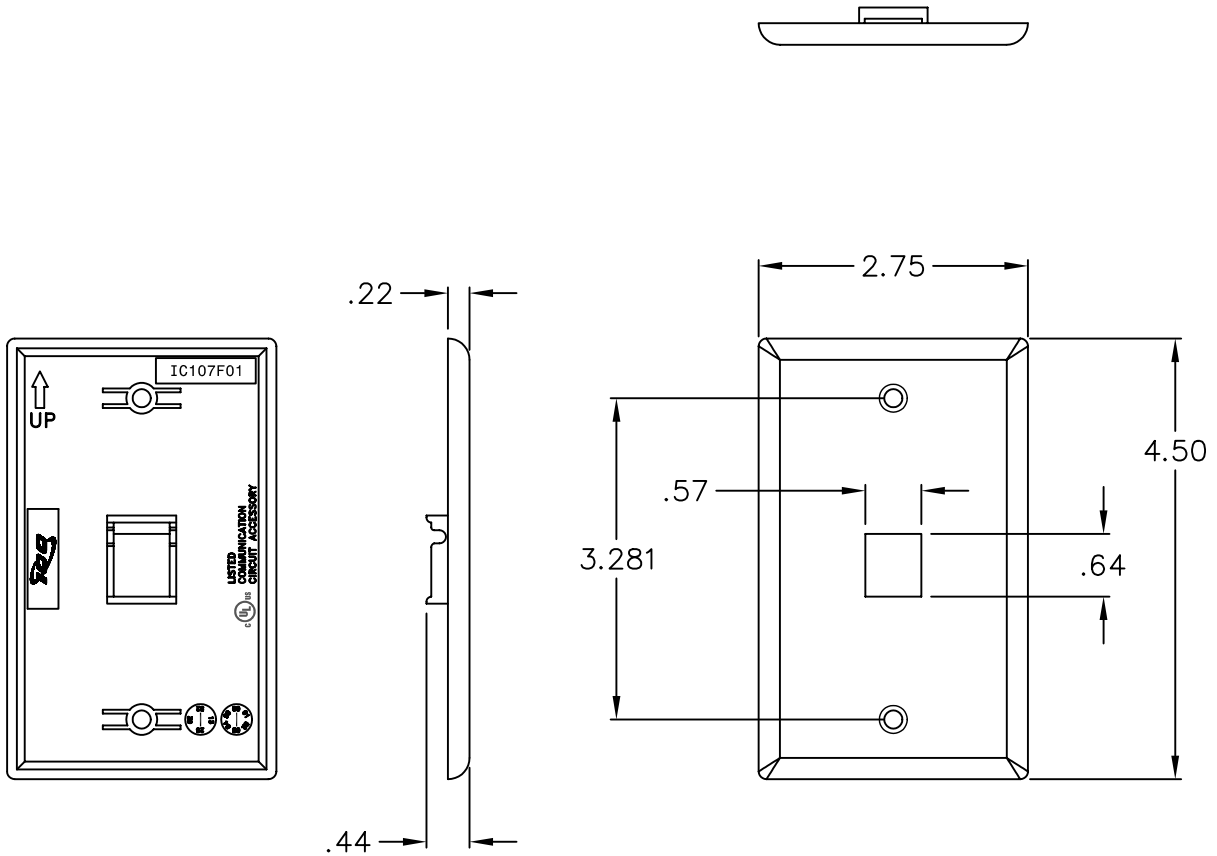
### FACEPLATE, FLAT, 1-GANG, 1-PORT

ITEM NO.	IC107F01XX
DWG NO.	PS107F0100

REV.	A
PAGE NO.	1




CUSTOMER CARE / TECHNICAL SUPPORT \* CSR@ICC.COM / 888-ASK-4-ICC (275-4422) \* 14700 Alondra Blvd., La Mirada, CA 90638 \* www.icc.com



**NOTE: UNLESS OTHERWISE SPECIFIED**

1. MATERIAL: ABS, UL 94V-0
2. FINISH: TEXTURE
3. COLOR: XX: AL-ALMOND, BK-BLACK, GY-GRAY, IV-IVORY, & WH-WHITE

UL US FILE NO. 125268

<b>FACEPLATE, FLAT, 1-GANG, 1-PORT</b>		 <i>PremiumProducts</i> <i>ProvenPerformance</i> <i>CompetitivePrices</i>	
ITEM NO.	IC107F01XX		REV. A
DWG NO.	PS107F0100		PAGE NO. 2

CUSTOMER CARE / TECHNICAL SUPPORT \* CSR@ICC.COM / 888-ASK-4-ICC (275-4422) \* 14700 Alondra Blvd., La Mirada, CA 90638 \* www.icc.com