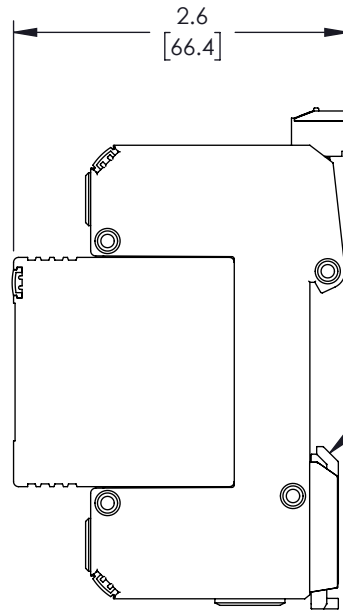
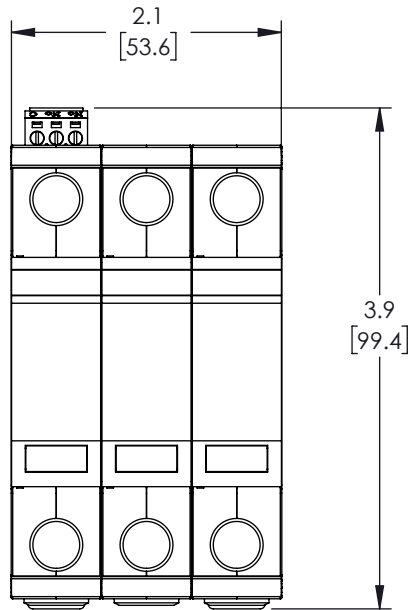


REVISIONS			
REV.	DESCRIPTION	DATE	APPROVED
A	INITIAL RELEASE	2/1/22	DREBECK



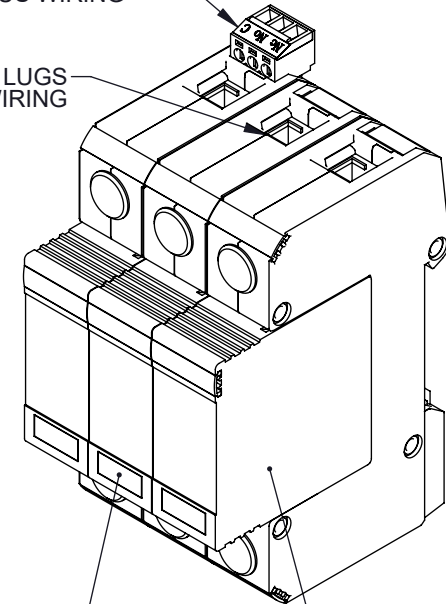
3-POS SCREW TERMINAL
FOR REMOTE SUPPRESSION
STATUS WIRING

COMPRESSION LUGS
FOR SERVICE WIRING

DIN-FOOT
FOR MOUNTING

VISUAL SUPPRESSION
STATUS INDICATORS

REPLACEABLE SURGE MODULES



THESE COMMODITIES, TECHNOLOGY OR SOFTWARE WERE EXPORTED FROM THE UNITED STATES IN ACCORDANCE WITH THE EXPORT ADMINISTRATION REGULATIONS. DIVERSION CONTRARY TO U.S. LAW PROHIBITED.

UNLESS OTHERWISE SPECIFIED
LEADING DIMENSIONS ARE INCHES
DIMENSIONS IN [] ARE MILLIMETERS

TOLERANCES:

X = ± .2	[5.08]	FRACTIONS
.XX = ± .02	[.51]	± 1/32
.XXX = ± .005	[-.13]	ANGLES ± 1°

CABLE LENGTH (L) TOLERANCES:

L ≤ 12	[305]	= +1	[25]	/ -0		
12	[305]	< L ≤ 60	[1524]	= +2	[51]	/ -0
60	[1524]	< L ≤ 120	[3048]	= +4	[102]	/ -0
120	[3048]	< L ≤ 300	[7620]	= +6	[152]	/ -0
300	[7620]	< L	= +5%	L	/ -0	

ALL DIMENSIONS SHOWN
ARE FOR REFERENCE ONLY.

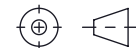


50 High Street, West Mill, 3rd Floor, Suite #30
North Andover, MA 01845 USA.

Phone: 1.800.341.5266 | 1.978.682.6936
Fax: 1.978.689.9484

Website: www.L-com.com
E-mail: CustomerService@L-com.com

THIRD-ANGLE PROJECTION



THE INFORMATION AND
DESIGN IN THIS DOCUMENT
IS THE PROPERTY OF
L-COM GLOBAL CONNECTIVITY.
ALL RIGHTS RESERVED.

SHEET 1 OF 1

SCALE N/A

SIZE	CAGE CODE	DRAWN BY	ITEM NO.	REV
A	43321	DMAY	I2R-T2DC-800Y-LC	A