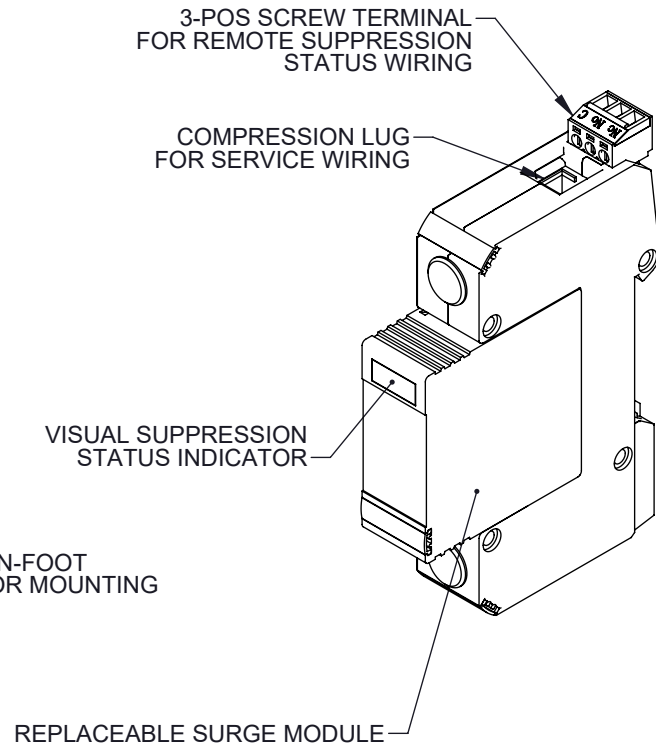
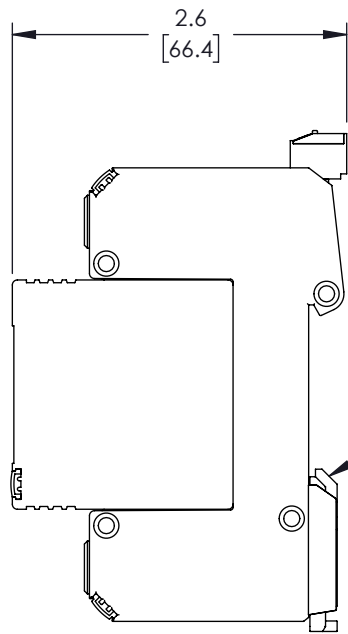
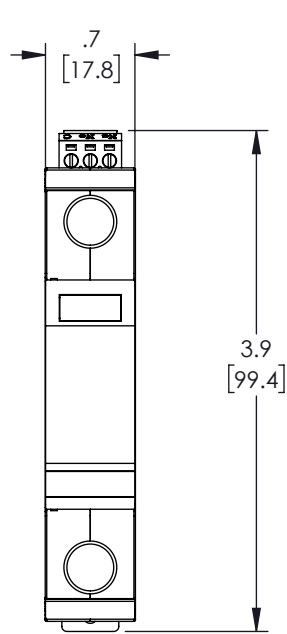


REVISIONS			
REV.	DESCRIPTION	DATE	APPROVED
A	INITIAL RELEASE	2/1/22	DREBECK



THESE COMMODITIES, TECHNOLOGY OR SOFTWARE WERE EXPORTED FROM THE UNITED STATES IN ACCORDANCE WITH THE EXPORT ADMINISTRATION REGULATIONS. DIVERSION CONTRARY TO U.S. LAW PROHIBITED.

UNLESS OTHERWISE SPECIFIED
LEADING DIMENSIONS ARE INCHES
DIMENSIONS IN [] ARE MILLIMETERS

TOLERANCES:

X = ± .2	[5.08]	FRACTIONS
.XX = ± .02	[.51]	± 1/32
XXX = ± .005	[-.13]	ANGLES ± 1°

CABLE LENGTH (L) TOLERANCES:

L ≤ 12	[305]	= +1	[25]	/ -0		
12	[305]	< L ≤ 60	[1524]	= +2	[51]	/ -0
60	[1524]	< L ≤ 120	[3048]	= +4	[102]	/ -0
120	[3048]	< L ≤ 300	[7620]	= +6	[152]	/ -0
300	[7620]	< L		= +5%	L	/ -0

ALL DIMENSIONS SHOWN
ARE FOR REFERENCE ONLY.

L-com
an INFINIT[®] brand

50 High Street, West Mill, 3rd Floor, Suite #30
North Andover, MA 01845 USA.
Phone: 1.800.341.5266 | 1.978.682.6936
Fax: 1.978.689.9484
Website: www.L-com.com
E-mail: CustomerService@L-com.com

SIZE	CAGE CODE	DRAWN BY	ITEM NO.	REV
A	43321	DMAY	I2R-T2DC-600S-LC	A

THIRD-ANGLE PROJECTION

THE INFORMATION AND DESIGN IN THIS DOCUMENT IS THE PROPERTY OF L-COM GLOBAL CONNECTIVITY. ALL RIGHTS RESERVED.

SHEET	1	OF	1
SCALE	N/A		