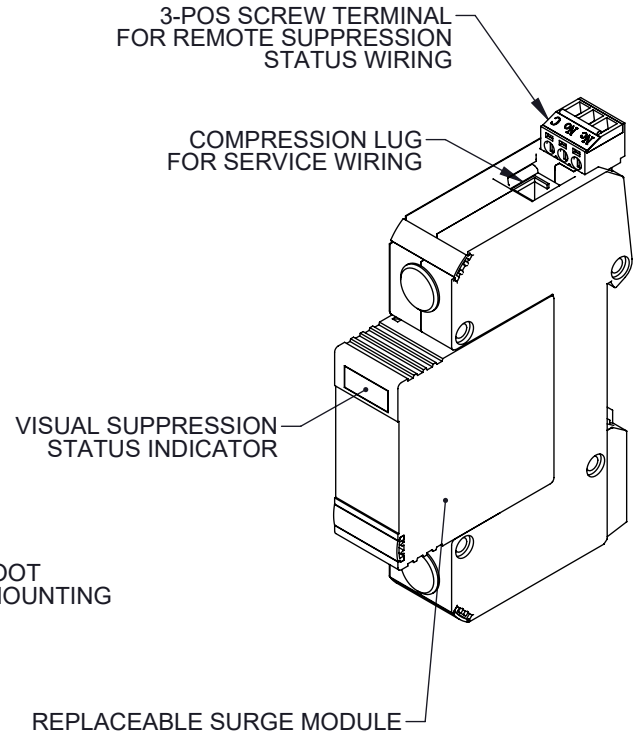
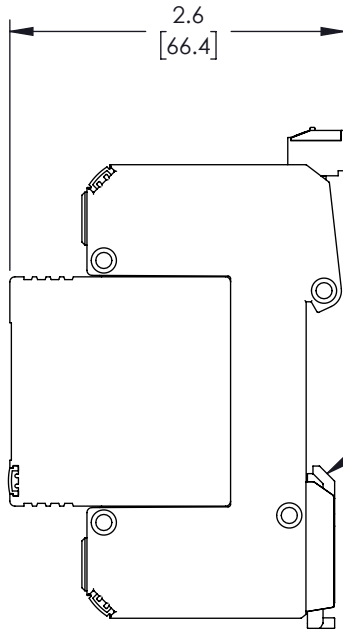
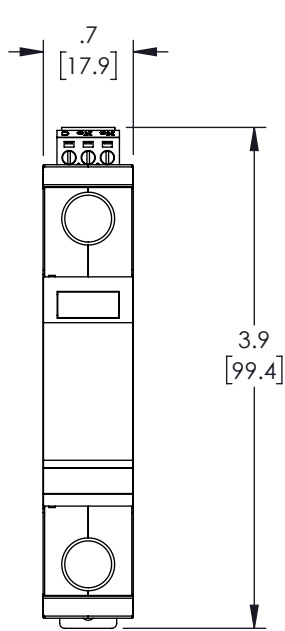


REVISIONS			
REV.	DESCRIPTION	DATE	APPROVED
A	INITIAL RELEASE	2/1/22	DREBECK



UNLESS OTHERWISE SPECIFIED  
LEADING DIMENSIONS ARE INCHES  
DIMENSIONS IN [ ] ARE MILLIMETERS

**TOLERANCES:**

X = ± .2	[ 5.08 ]	FRACTIONS	
.XX = ± .02	[ .51 ]		± 1/32
.XXX = ± .005	[ .13 ]	ANGLES	± 1°

**CABLE LENGTH (L) TOLERANCES:**

L ≤ 12	[ 305 ]	= +1	[ 25 ] / -0	
12	[ 305 ] < L ≤ 60	[ 1524 ]	= +2	[ 51 ] / -0
60	[ 1524 ] < L ≤ 120	[ 3048 ]	= +4	[ 102 ] / -0
120	[ 3048 ] < L ≤ 300	[ 7620 ]	= +6	[ 152 ] / -0
300	[ 7620 ] < L	= +5%	L / -0	

ALL DIMENSIONS SHOWN  
ARE FOR REFERENCE ONLY.

**L-com™**  
an INFINIT® brand

50 High Street, West Mill, 3rd Floor, Suite #30  
North Andover, MA 01845 USA.  
Phone: 1.800.341.5266 | 1.978.682.6936  
Fax: 1.978.689.9484  
Website: www.L-com.com  
E-mail: CustomerService@L-com.com

SIZE	CAGE CODE	DRAWN BY	ITEM NO.	REV
A	43321	DMAY	I2R-T2DC-48S-LC	A

THIRD-ANGLE PROJECTION

THE INFORMATION AND  
DESIGN IN THIS DOCUMENT  
IS THE PROPERTY OF  
L-COM GLOBAL CONNECTIVITY.  
ALL RIGHTS RESERVED.

SHEET	1	OF	1
SCALE	N/A		

THESE COMMODITIES, TECHNOLOGY OR SOFTWARE WERE EXPORTED FROM THE UNITED STATES IN ACCORDANCE WITH THE EXPORT ADMINISTRATION REGULATIONS. DIVERSION CONTRARY TO U.S. LAW PROHIBITED.