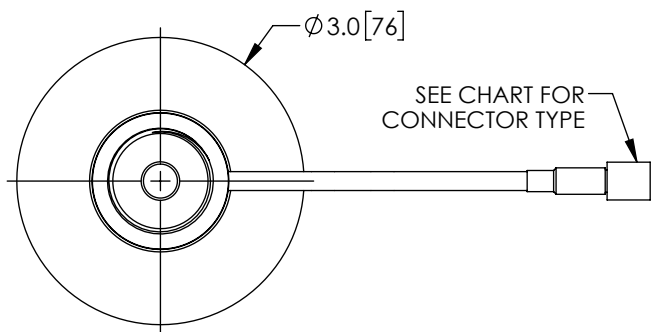
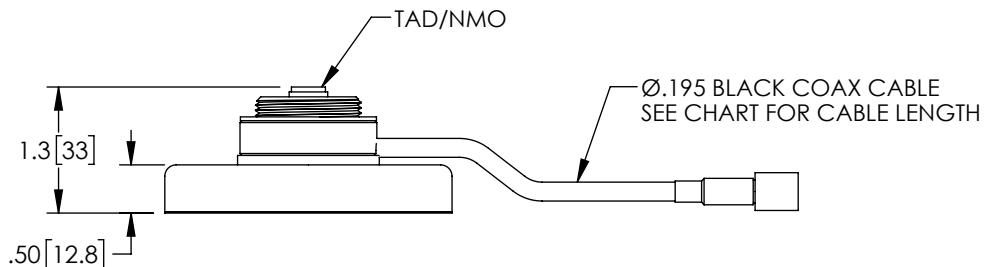


THE INFORMATION CONTAINED IN THIS DRAWING IS THE SOLE PROPERTY OF L-COM, INC. ANY REPRODUCTION IN PART OR WHOLE WITHOUT THE WRITTEN PERMISSION OF L-COM, INC. IS PROHIBITED.

REVISIONS			
REV	DESCRIPTION	DATE	APPROVED
A	INITIAL RELEASE	09/12/2011	BPUCHASKI
B	ECN 8740 UPDATE MAIN BODY, CABLE LENGTH TOL +1 TO +2 IN CHART	04/26/2017	BPUCHASKI
C	ECN 10589 UPDATED MODEL. CABLE LG WAS +2/-0. DWG REVISED & REDRAWN	07/21/2020	KHIETPAS


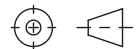


MODEL# HMA1-XXXAYY		2nd SUFFIX(Y) CABLE LENGTH(FT) 01 TO 10 FEET (±2 INCH)
1st SUFFIX(XXX) = CONNECTOR TYPE		
NF	N-FEMALE	EXAMPLE: HMA1-NF02
NM	N-MALE	
RSP	RP SMA-PLUG	
RSJ	RP SMA-JACK	
RTP	RP TNC-PLUG	
RTJ	RP TNC-JACK	
RNP	RP N-PLUG	
RNJ	RP N-JACK	
SM	SMA MALE	
SF	SMA FEMALE	
TM	TNC MALE	
TF	TNC FEMALE	
BM	BNC MALE	
RBP	RP BNC PLUG	
RBJ	RP BNC JACK	
WM	WAVE RIDER COMPATIBLE TYPE	
AM	ORINOCO COMPATIBLE TYPE	
QP	QMA PLUG RIGHT ANGLE	



**NOTES:**  
 PACKAGING:  
 COMPONENT SHALL BE PACKAGED IN ACCORDANCE WITH L-COM SPEC PKG-00012.  
 -ALL DIMENSIONS FOR REFERENCE-

**REGULATORY COMPLIANCE:**  
 CE2011/65/EU(RoHS DIRECTIVE)

UNLESS OTHERWISE SPECIFIED, DIMENSIONS ARE IN INCHES [mm]		APPROVALS		DATE				50 High Street, West Mill, North Andover, MA 01845 USA. Phone: 1.800.341.5266 1.978.682.6936	
OVERALL CABLE LENGTH TOLERANCE: ≤12 [305] = +1 [25] / -0 >12 [305] ≤60 [1524] = +2 [51] / -0 >60 [1524] ≤120 [3048] = +4 [102] / -0 >120 [3048] ≤300 [7620] = +6 [152] / -0 >300 [7620] = +5% / -0		DRAWN BY BPUCHASKI		09/12/2011		CATEGORY		ANTENNA	
ALL OTHER DIMENSIONAL TOLERANCES: .X = ± .2 [5]   FRACTIONS ± 1/32 .XX = ± .02 [.5]   ANGLES ± 1° .XXX = ± .005 [1.3]		CHECKED BY P.PESA		09/12/2011		PRODUCT DESCRIPTION		Mobile Magnetic Antenna Mount w/ 195 Series Cable and Connector	
THIRD-ANGLE PROJECTION		CONFIGURATION DETAILS OF UNDIMENSIONED FEATURES MAY VARY		COLOR VARIATIONS MAY OCCUR		SIZE <b>A</b>		CAGE CODE <b>43321</b>	
		APPROVED BY P.PESA		09/12/2011		ITEM NO. HMA1-XXXAYY		REV. <b>C</b>	
				SCALE: NONE		CAD FILE: HMA1-XXXAYY.SLDDRW		SHEET 1 OF 1	