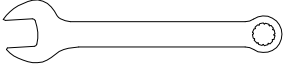
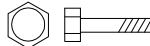
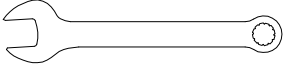



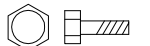





NON- PENETRATING PEAK ROOF MOUNT WITH OPTIONAL ARM ASSEMBLY INSTRUCTION 1/3

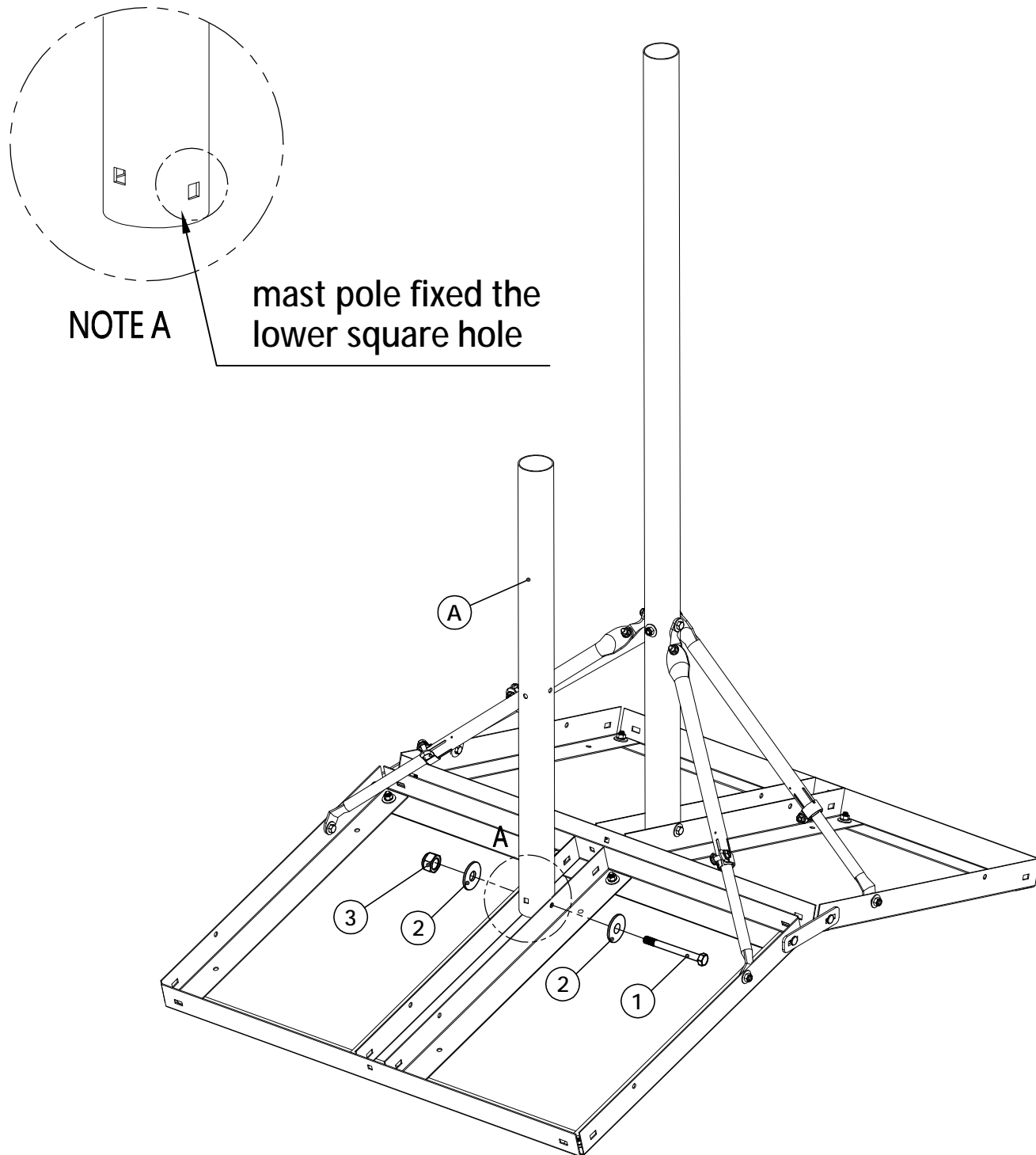
HARDWARE				TOOLS	PARTS						
NO	ITEM	DESCRIPTION	Q'TY	 13mm wrench (not included)	DESCRIPTION	Q'TY	DESCRIPTION	Q'TY	DESCRIPTION	Q'TY	
1		5/16"-18*3-1/8" hex-head cap screw	3		 13mm wrench (not included)	Mast Pole(L850mm) (#A)	1	Adjustable rod (#C)	1		
2		5/16"-18 washer	8								
3		5/16"-18 nylon nut	4								
4		5/16"-18*7/8" Round head Square screw	1								
5		5/16"-18*3/4" hex-head cap screw	1								
6		5/16"-18 hex flange nut	1								
7		#12*3/4" Metal tek screw	1								
8		Link bracket	1								
9											
10											
					Supporting rod (#B)	2					

NON-PENETRATING PEAK ROOF MOUNT WITH OPTIONAL ARM ASSEMBLY INSTRUCTION

INSTALLATION DESCRIPTION

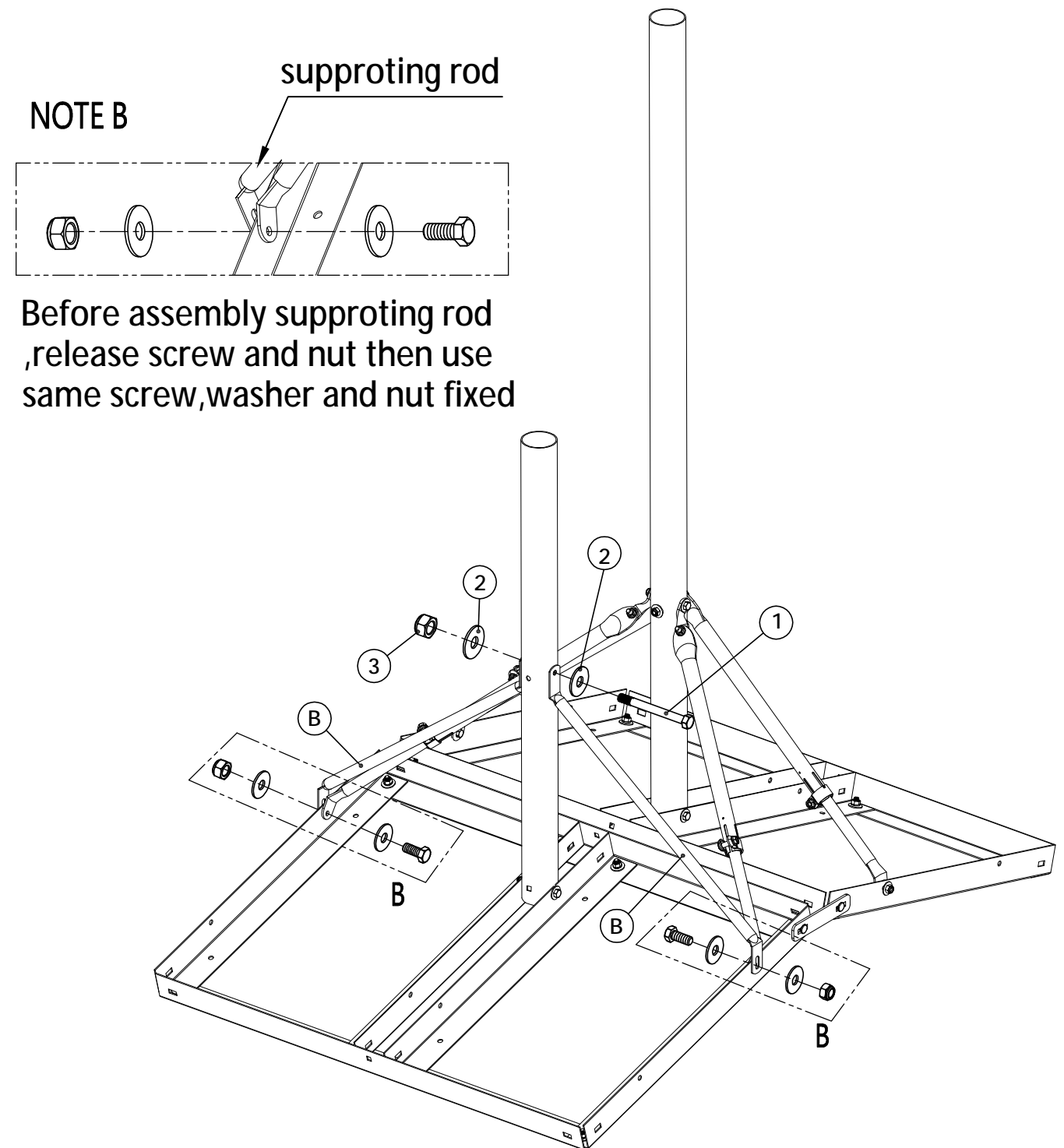
Step 1

Assemble mast pole(#A) with screw(#1), washer(#2),nylon nut(#3)



Step 2

Assemble 2 supporting rod(#B) with screw(#1), washer(#2),nylon nut(#3)



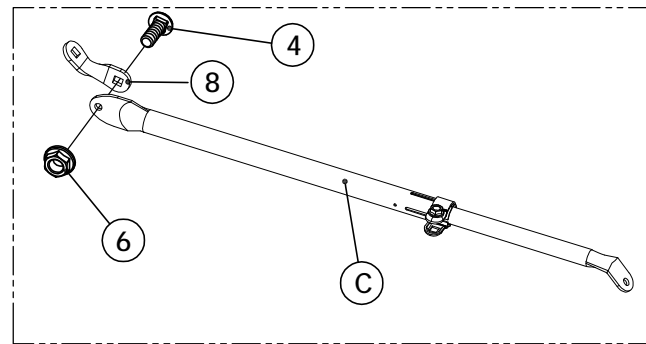
NON-PENETRATING PEAK ROOF MOUNT WITH OPTIONAL ARM ASSEMBLY INSTRUCTION

INSTALLATION DESCRIPTION

Step 3

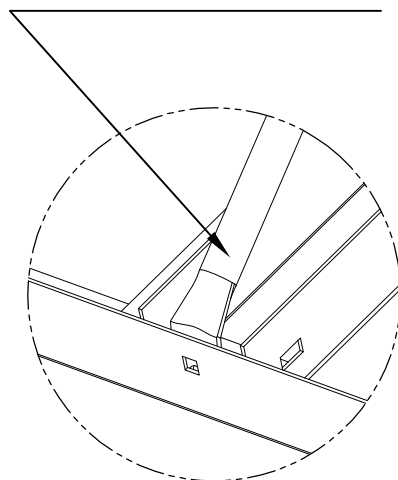
Assemble Adjustable rod(#C) with screw(#1), screw(#5), washer(#2), nylon nut(#3)

Pre-assembly adjustable rod(#C) and link bracket(#8) with screw(#4), flange nut(#6)

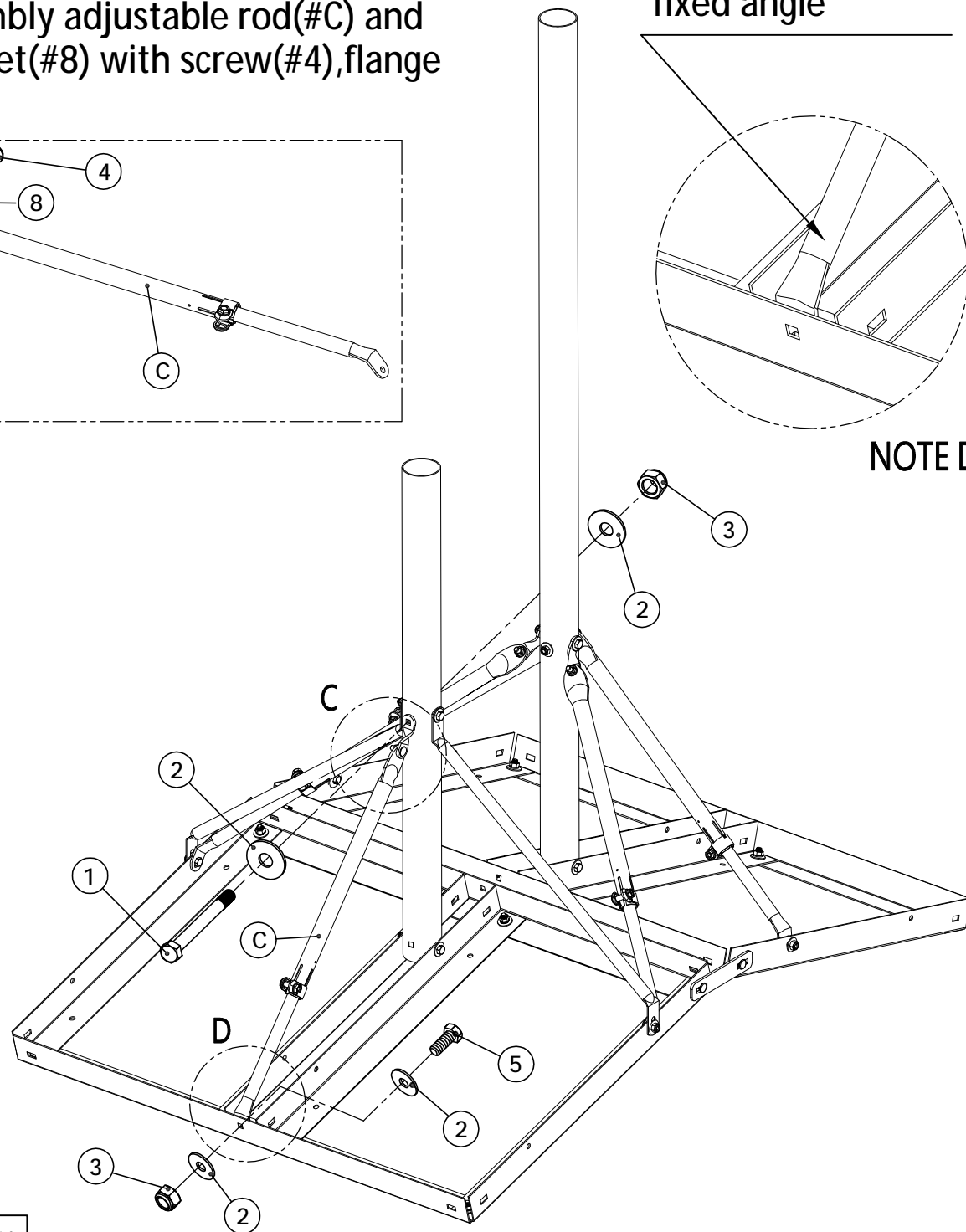


NOTE C

inner rod rotate for fixed angle

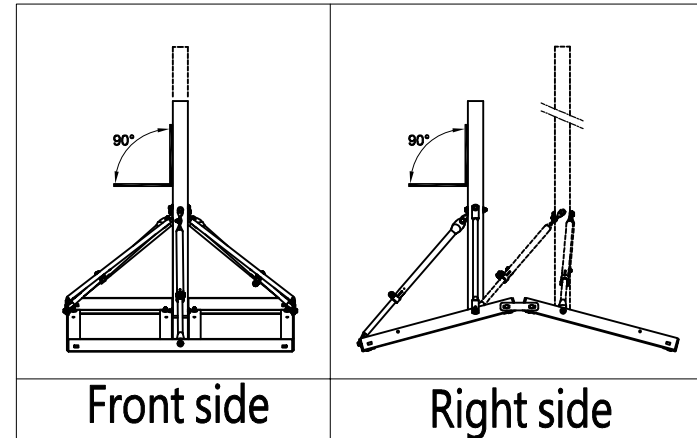


NOTE D



Step 4

Adjust pole angel to 90 degree and tighten all screw, then fixed metal tek screw(#7) finally



Front side

Right side

