
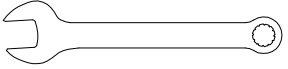

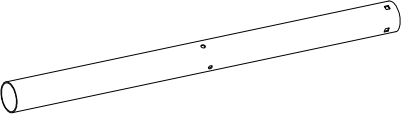
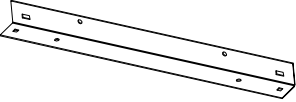

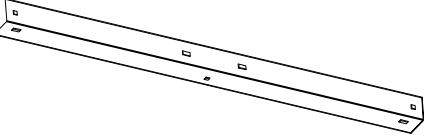
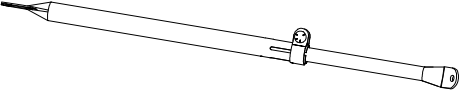
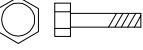
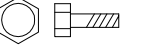



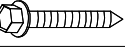
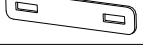



# NON-PENETRATING PEAK ROOF MOUNT ASSEMBLY INSTRUCTION

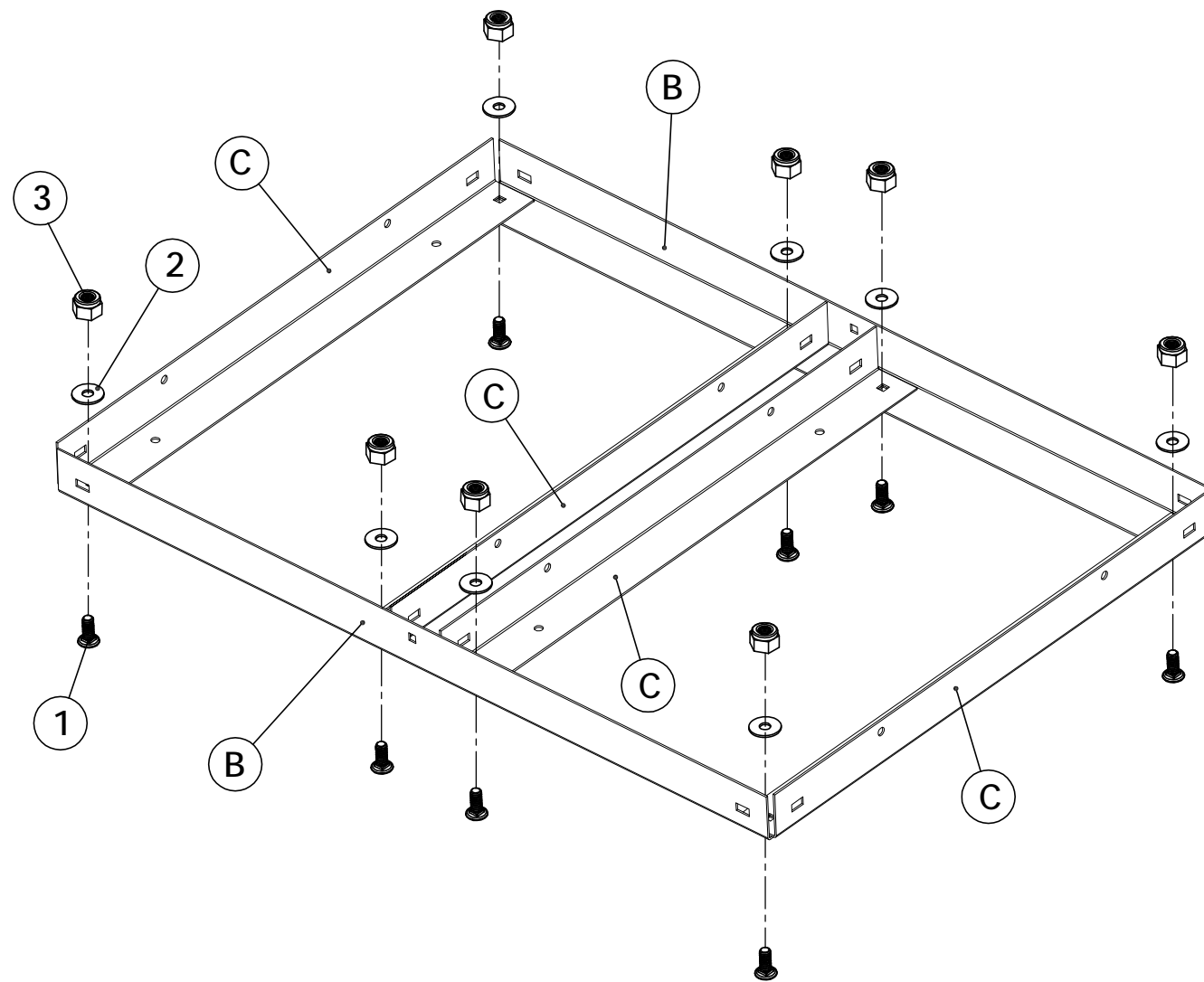
HARDWARE				TOOLS	PARTS					
NO	ITEM	DESCRIPTION	Q'TY		DESCRIPTION	Q'TY	DESCRIPTION	Q'TY	DESCRIPTION	Q'TY
1		5/16"-18*3/4"Round flat head Square screw	20	 13mm wrench (not included)	Mast Pole(L1500mm) (#A) 1		Mounting Base(Short) (#C) 8			
2		5/16"-18 washer	34		A 		C 		E	
3		5/16"-18 nylon nut	27		B 		D 		F	
4		5/16"-18*3-1/8" hex-head cap screw	3		DESCRIPTION Q'TY Mounting Base(Long) (#B) 4		DESCRIPTION Q'TY Adjustable rod (#D) 4		DESCRIPTION Q'TY	
5		5/16"-18*3/4" hex-head cap screw	4							
6		5/16"-18*7/8" Round head Square screw	2							
7		5/16"-18 hex flange nut	2							
8		#12*3/4" Metal tek screw	4							
9		5/16"*3" Anchor Bolt	8							
10		Support plate	2							
11		Link Bracket	2							
10										

# NON-PENETRATING PEAK ROOF MOUNT ASSEMBLY INSTRUCTION

## INSTALLATION DESCRIPTION

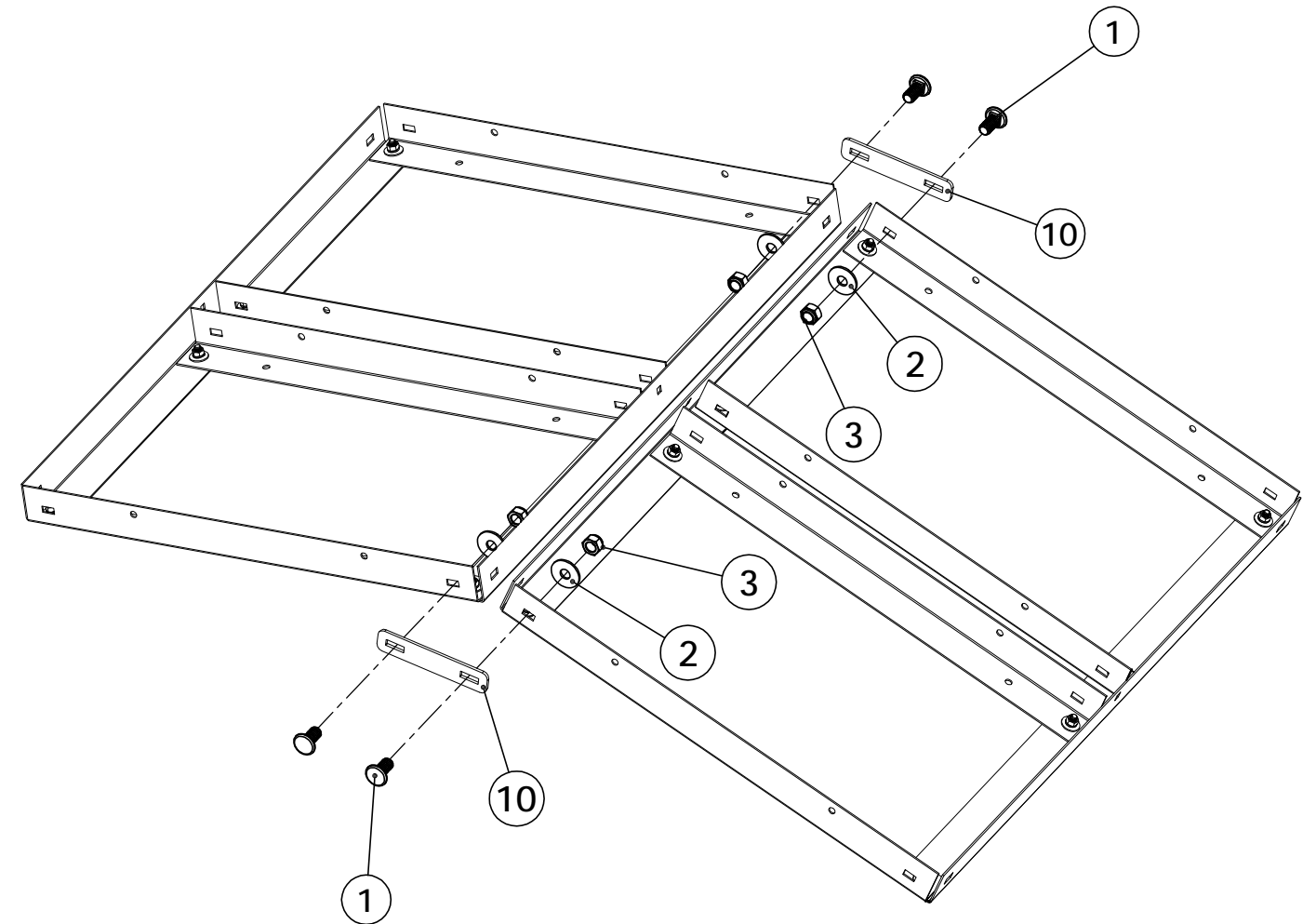
### Step 1

Assemble 2 set Long mounting base (#B) and Short mounting base (#C) with screw(#1), washer(#2), nylon nut(#3)



### Step 2

Assemble 2 set mount base with Support plate (#10), screw(#1), washer(#2), nylon nut(#3)

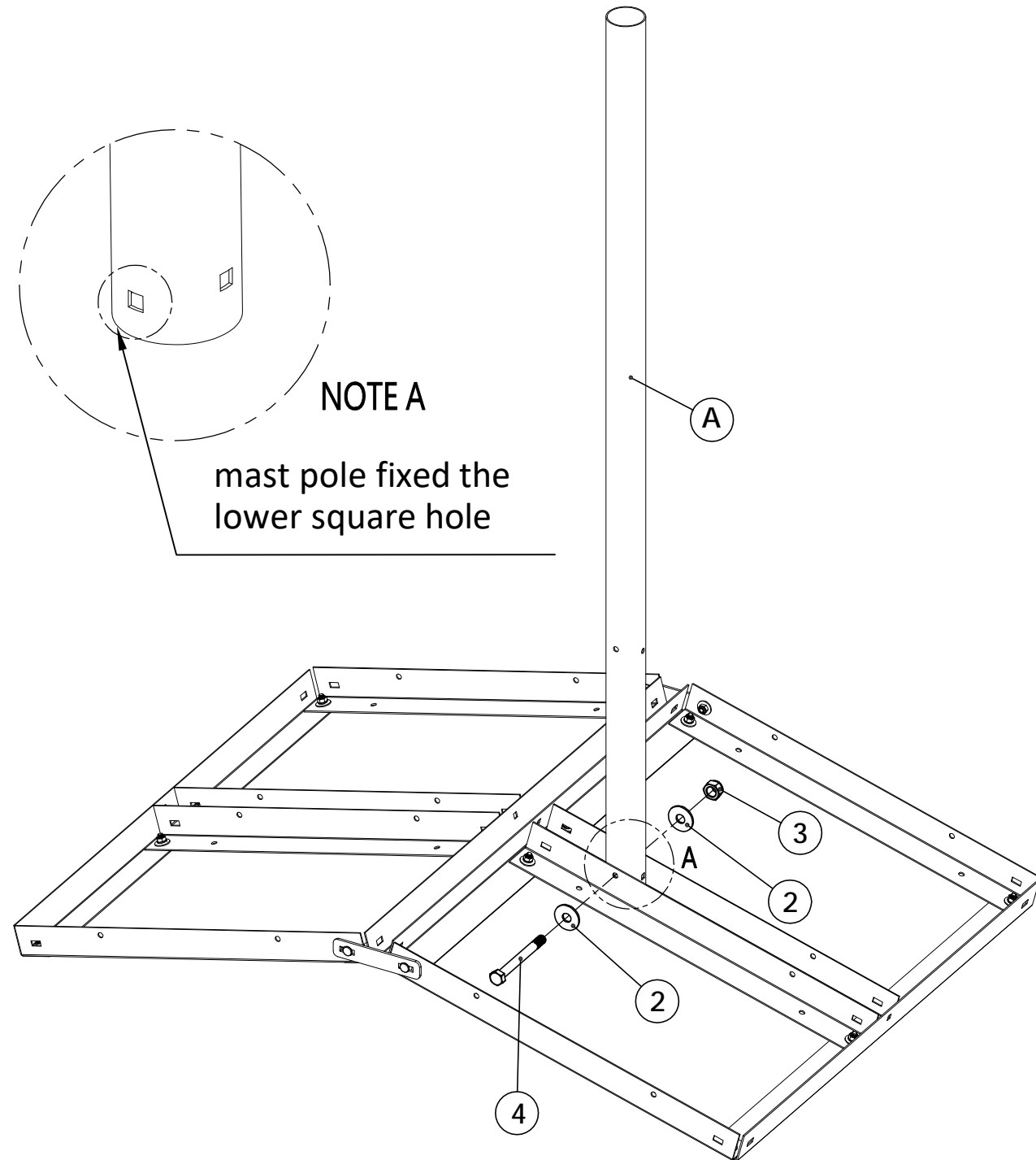


# NON-PENETRATING PEAK ROOF MOUNT ASSEMBLY INSTRUCTION

## INSTALLATION DESCRIPTION

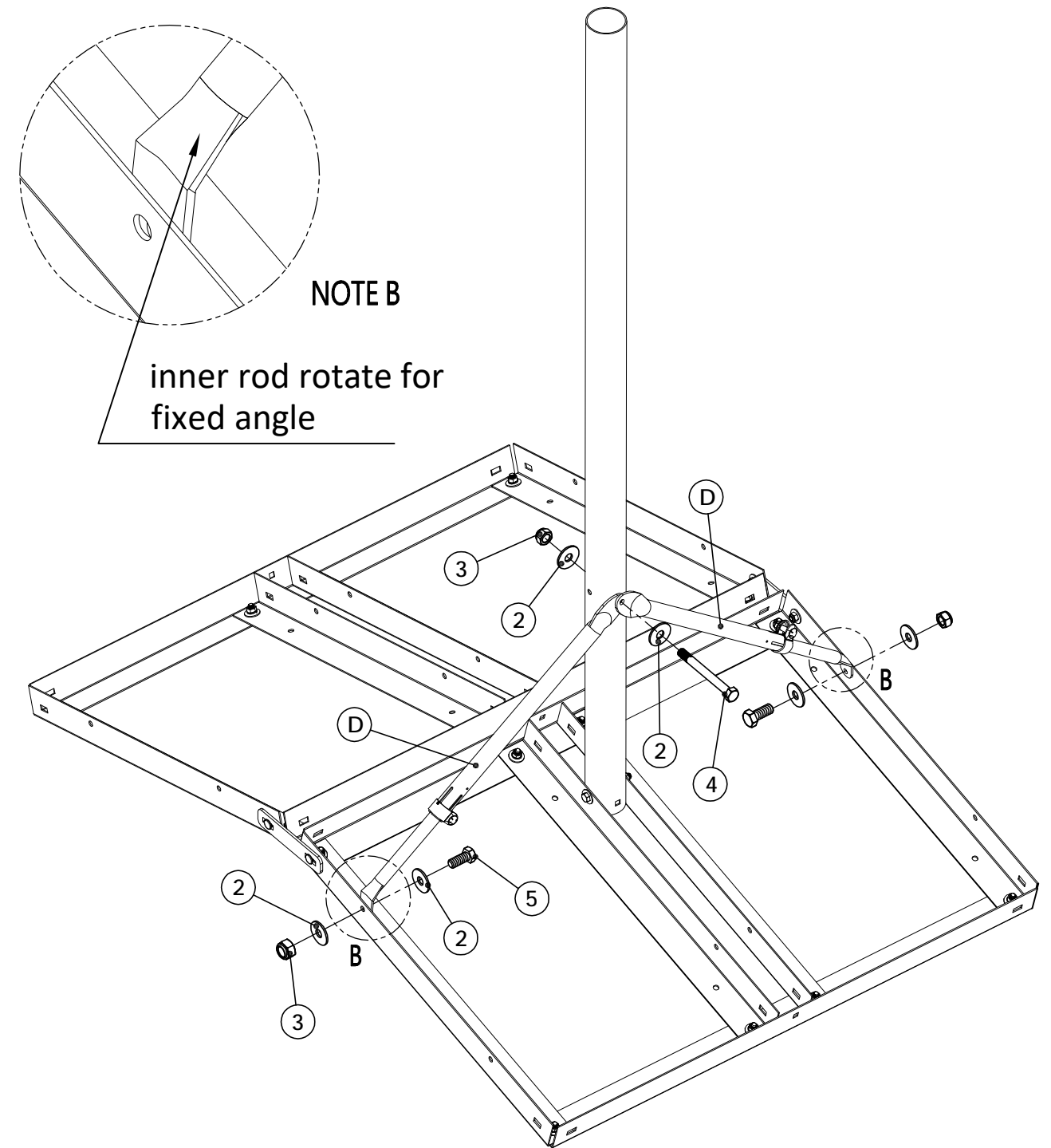
### Step 3

Assemble mast pole(#A) with screw(#4), washer(#2),nylon nut(#3)



### Step 4

Assemble 2 adjustable rod(#D) and mast pole and base mount with screw(#4),screw(#5),washer(#2),nylon nut(#3)



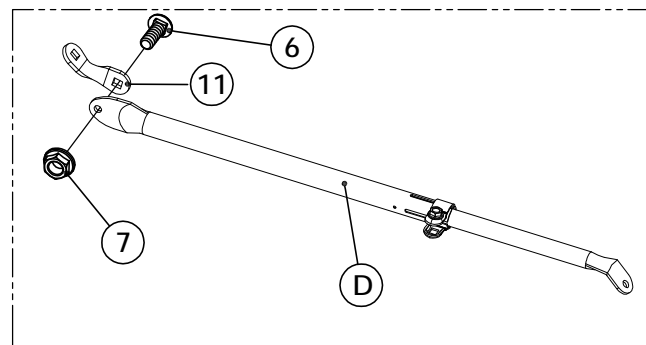
# NON-PENETRATING PEAK ROOF MOUNT ASSEMBLY INSTRUCTION

## INSTALLATION DESCRIPTION

### Step 5

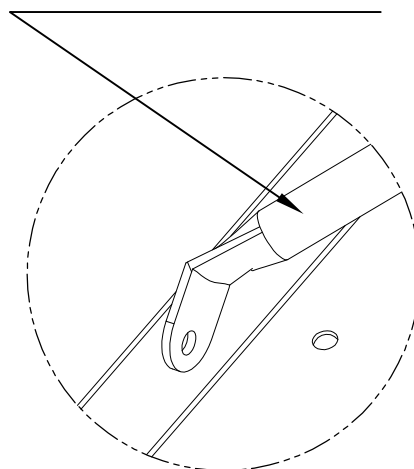
Assemble 2 adjustable rod(#D) and mast pole and base mount with screw(#4), screw(#5), washer(#2), nylon nut(#3)

Pre-assembly adjustable rod(#D) and link bracket(#11) with screw(#6), flange nut(#7)

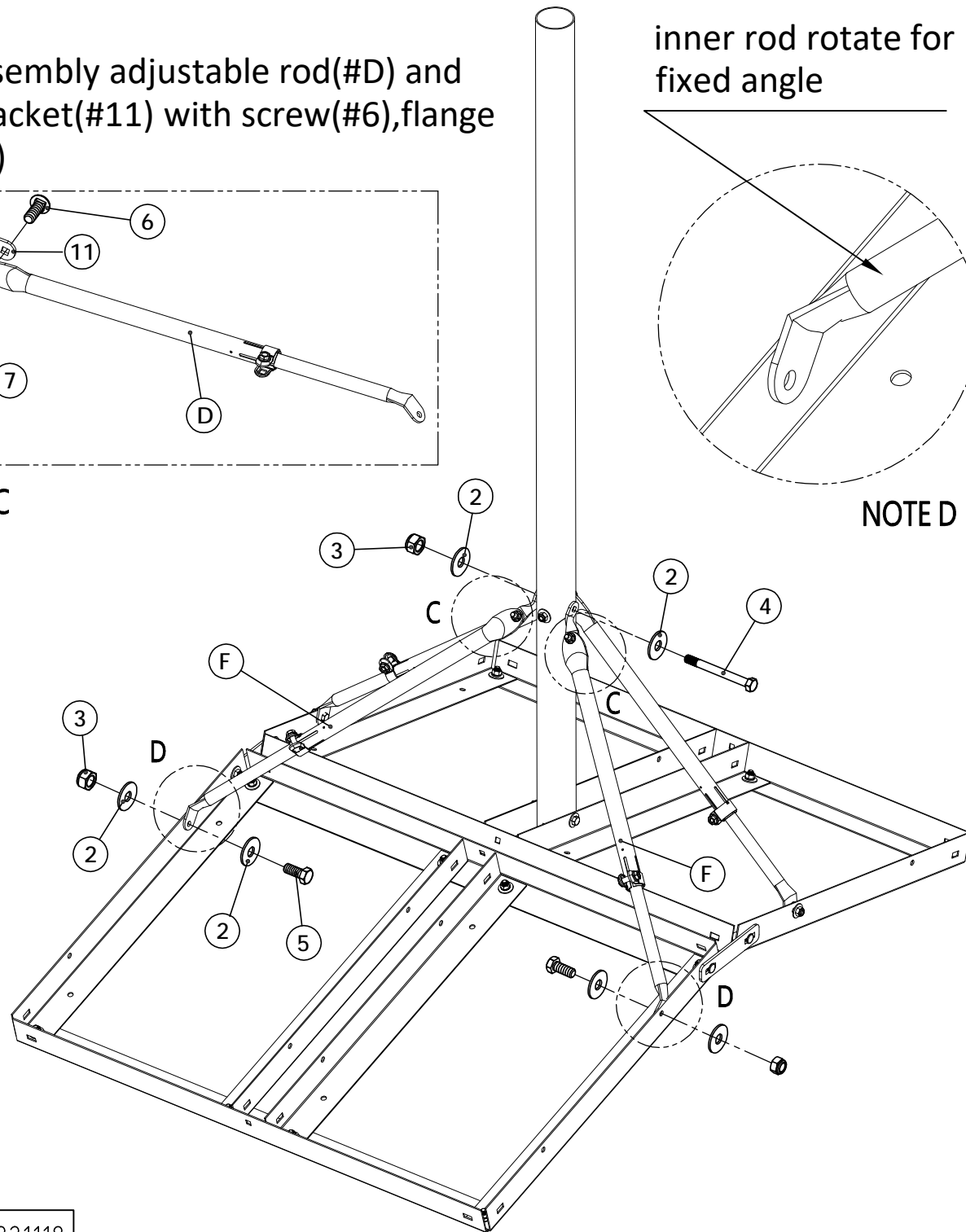


NOTE C

inner rod rotate for fixed angle

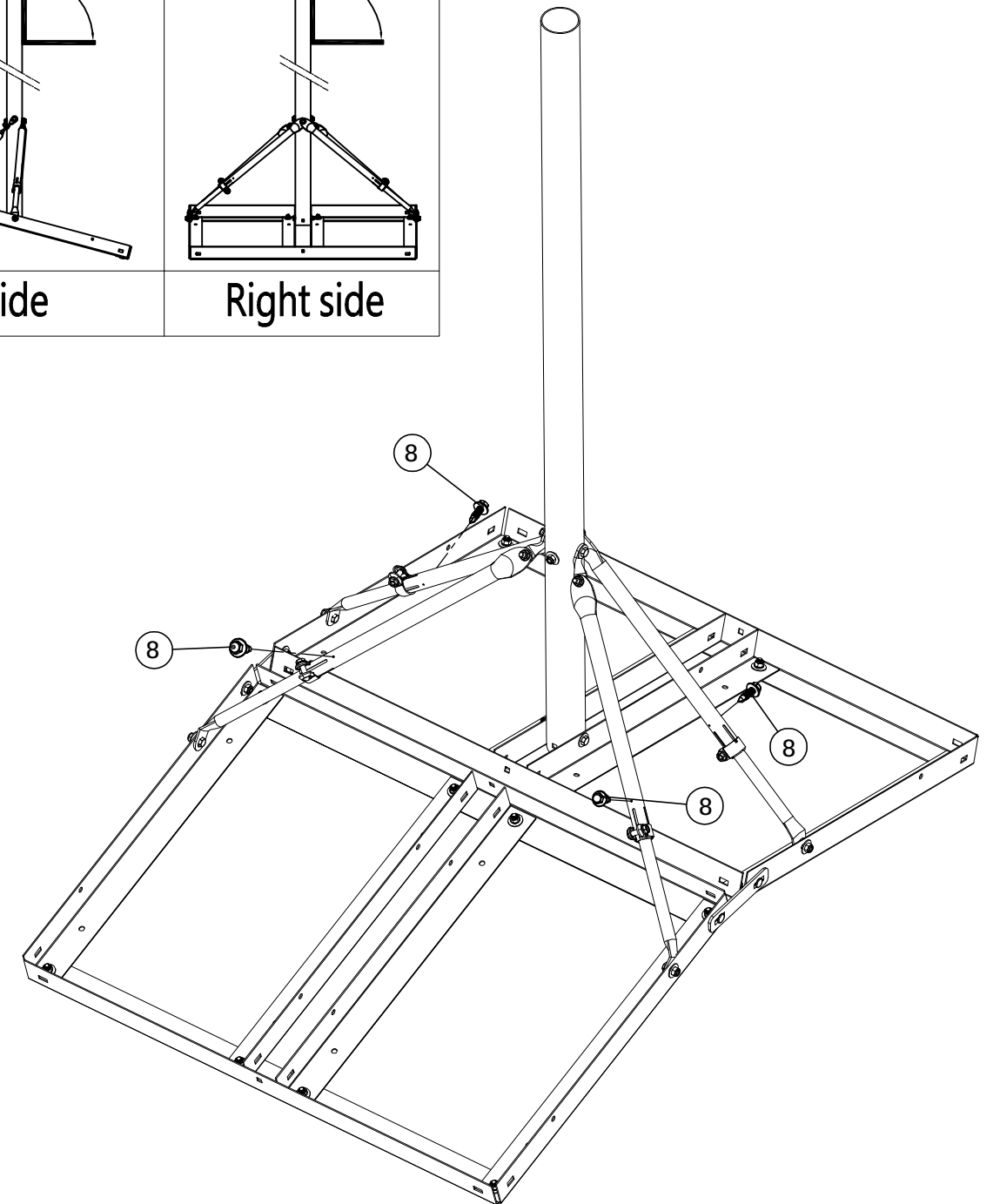
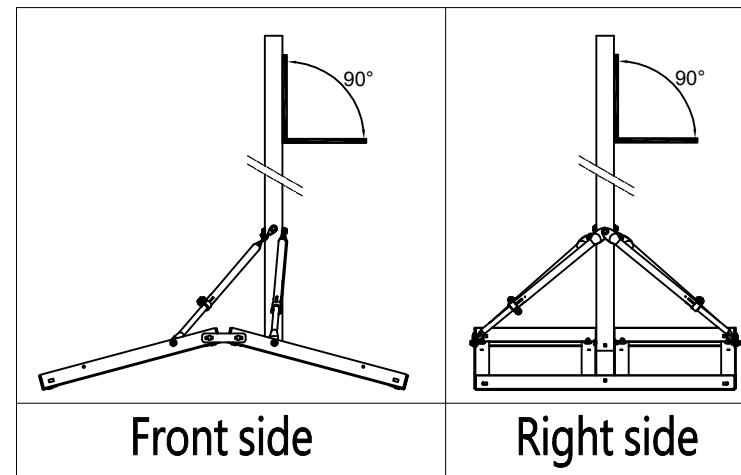


NOTE D



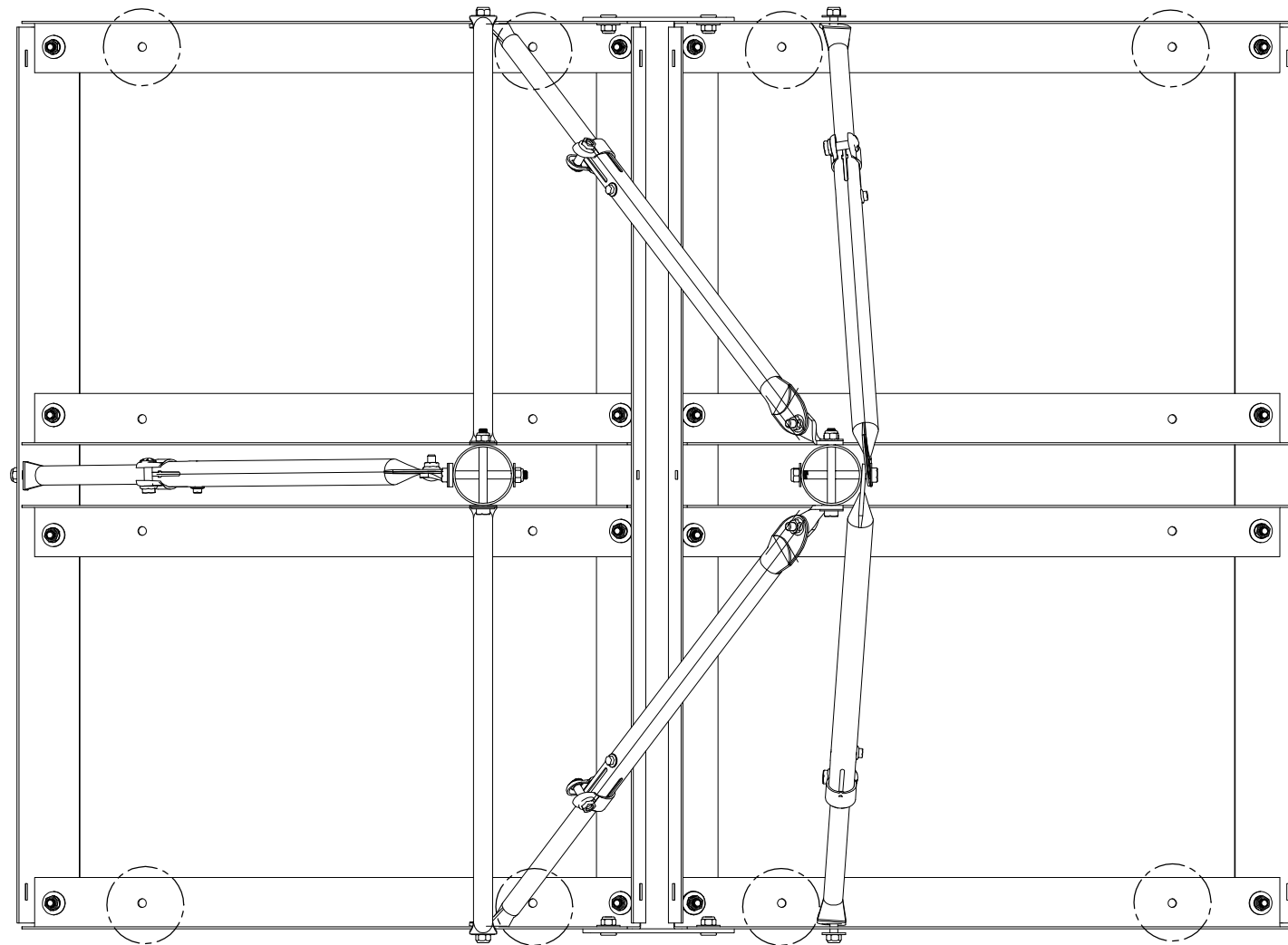
### Step 6

Adjust pole angel to 90 degree and tighten all screw, then fixed metal tek screw(#8) finally

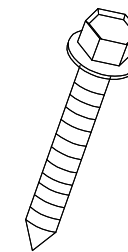


# NON-PENETRATING PEAK ROOF MOUNT ASSEMBLY INSTRUCTION

## INSTALLATION DESCRIPTION



Penetrating hardware option:  
For directly mounting using hardware(#9),  
place appropriately rated hardware, at the  
locations circled in diagram.



5/16"\*3" Anchor Bolt(#9)