
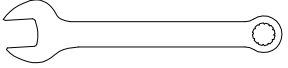
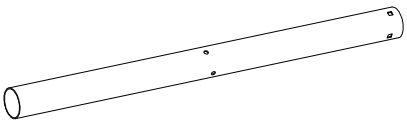
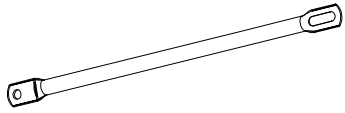

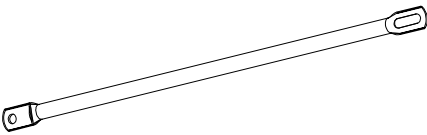

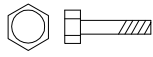


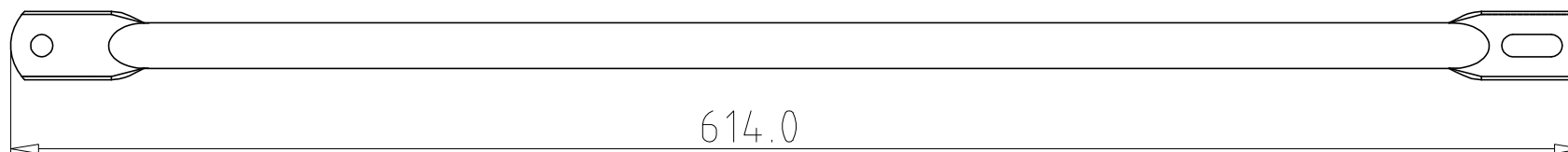
NON-PENETRATING FLAT ROOF MOUNT WITH OPTIONAL ARM ASSEMBLY INSTRUCTION 1/3

HARDWARE				TOOLS	PARTS					
NO	ITEM	DESCRIPTION	Q'TY		DESCRIPTION	Q'TY	DESCRIPTION	Q'TY	DESCRIPTION	Q'TY
1		5/16"-18*3/4"Round flat head Square screw	2	 13mm wrench (not included)	A Mast Pole (L850mm) (#A) 		C Supporting rod (Short) (#C) L=595mm 		E	
2		5/16"-18 washer	6		B Supporting rod (Long) (#B) L=614mm 		D		F	
3		5/16"-18 nylon nut	4							
4		5/16"-18*3-1/8" hex-head cap screw	2							
5										
6										
7										
8										
9										
10										

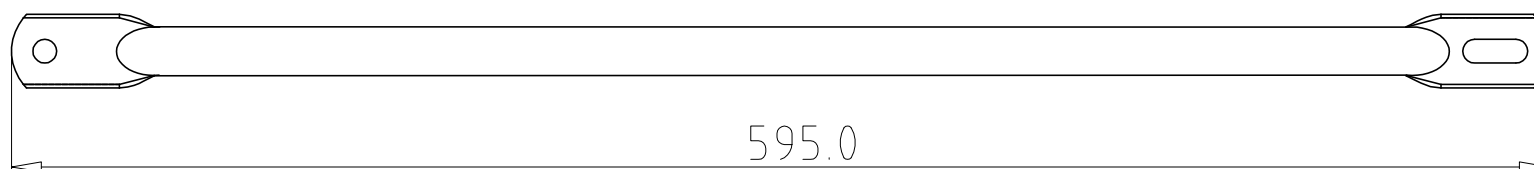
MEMO:

In order to prevent mistake, before assembly make sure supporting rod have 2 type dimension length

PART B x2pcs L=614mm



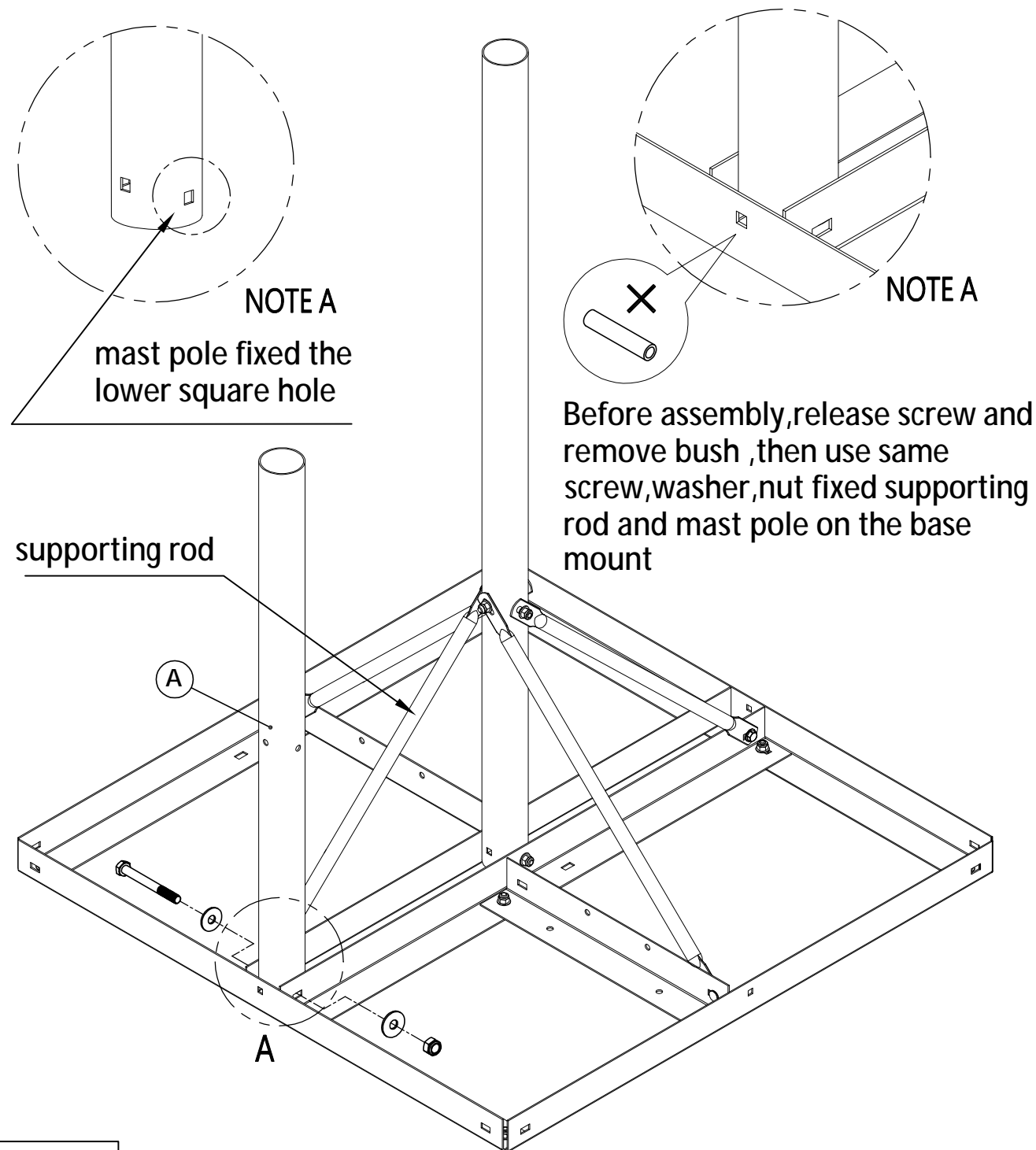
PART C x1pcs L=595mm



INSTALLATION DESCRIPTION

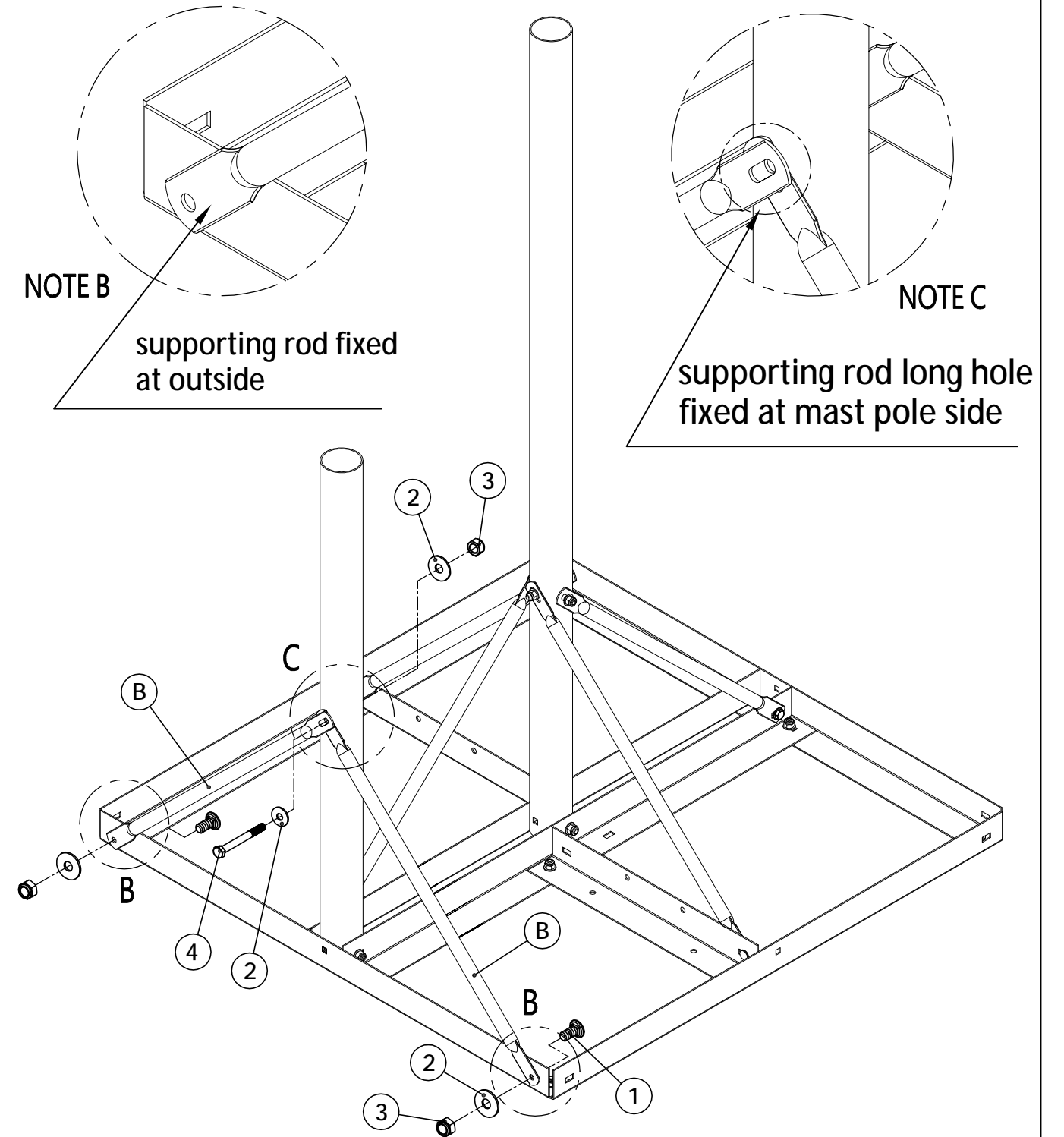
Step 1

Assemble mast pole (#A) with screw(original) ,washer(original), nylon nut(original)



Step 2

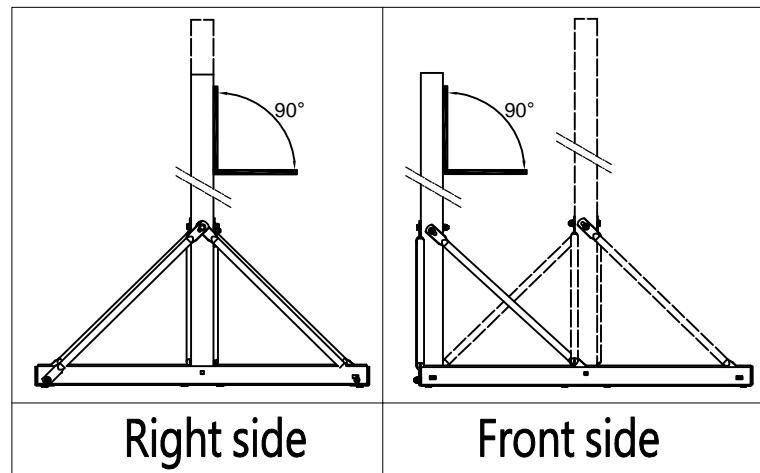
Assemble 2 Long supporting rods 614L(#B) with screw(#1),screw(#4),washer(#2),nylon nut(#3)



INSTALLATION DESCRIPTION

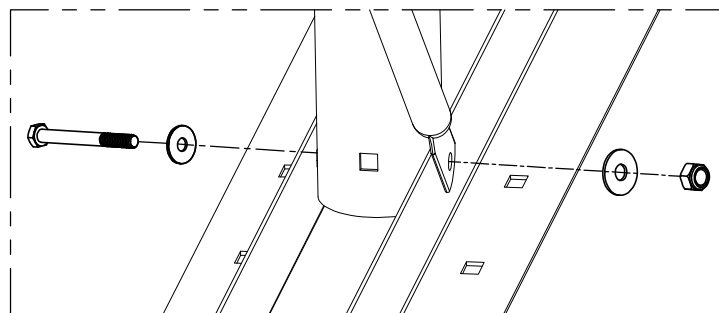
Step 3

Assemble short supporting rods 595L(#C) with screw(#4),washer(#2),nylon nut(#3)



Adjust pole angle to 90 degree then tighten all screw

NOTE D



Before assembly supporting rod,release screw and nut,then use same screw,washer,nut fixed supporting rod and mast pole on the base mount

