
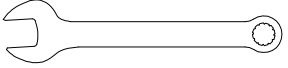

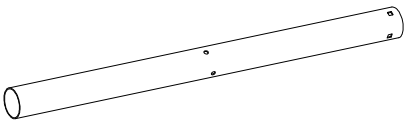
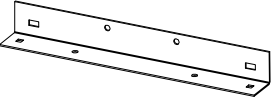

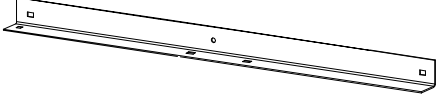
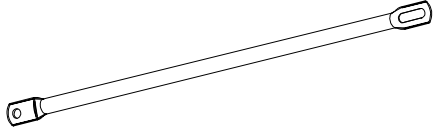
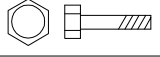

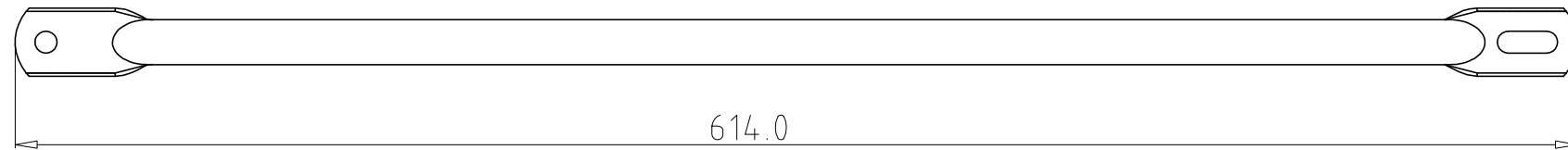


NON-PENETRATING FLAT ROOF MOUNT ASSEMBLY INSTRUCTION

HARDWARE				TOOLS	PARTS					
NO	ITEM	DESCRIPTION	Q'TY		DESCRIPTION	Q'TY	DESCRIPTION	Q'TY	DESCRIPTION	Q'TY
1		5/16"-18*3/4"Round flat head Square screw	14	 13mm wrench (not included)	Mast Pole(L1500mm) (#A) 1		Mounting Base (Short) (#C) 2		E	
2		5/16"-18 washer	24		A 		C 			
3		5/16"-18 nylon nut	19	B 		D  L=614mm		F		
4		5/16"-18*3-1/8" hex-head cap screw	5	DESCRIPTION Q'TY		DESCRIPTION Q'TY		DESCRIPTION Q'TY		
5		∅8.5/∅12.5*L60 Bush	2	Mounting Base (Long) (#B) 6		Supporting rod (#D) 4				
6										
7										
8										
9										
10										

MEMO:

PART D x4pcs L=614mm

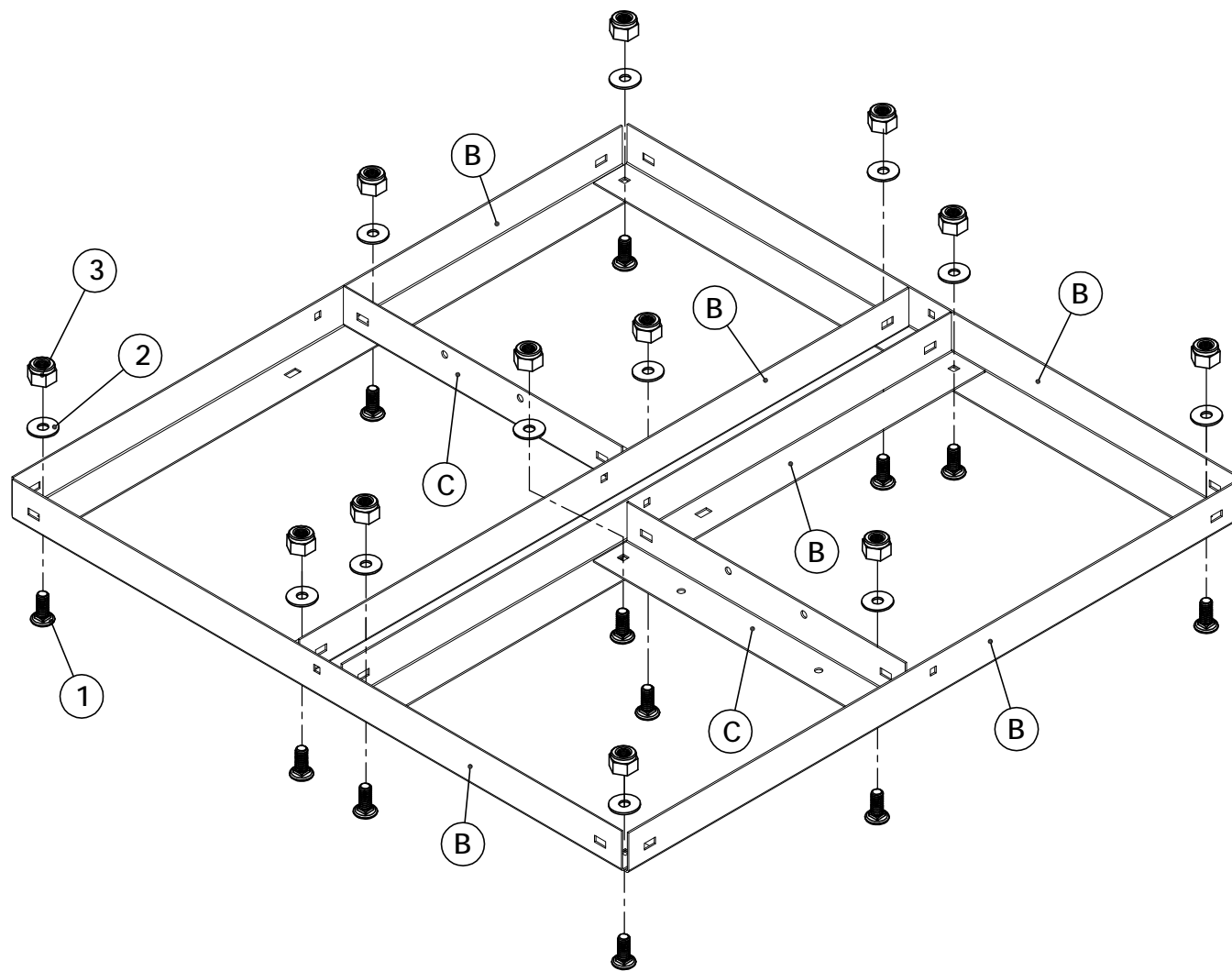


NON-PENETRATING FLAT ROOF MOUNT ASSEMBLY INSTRUCTION

INSTALLATION DESCRIPTION

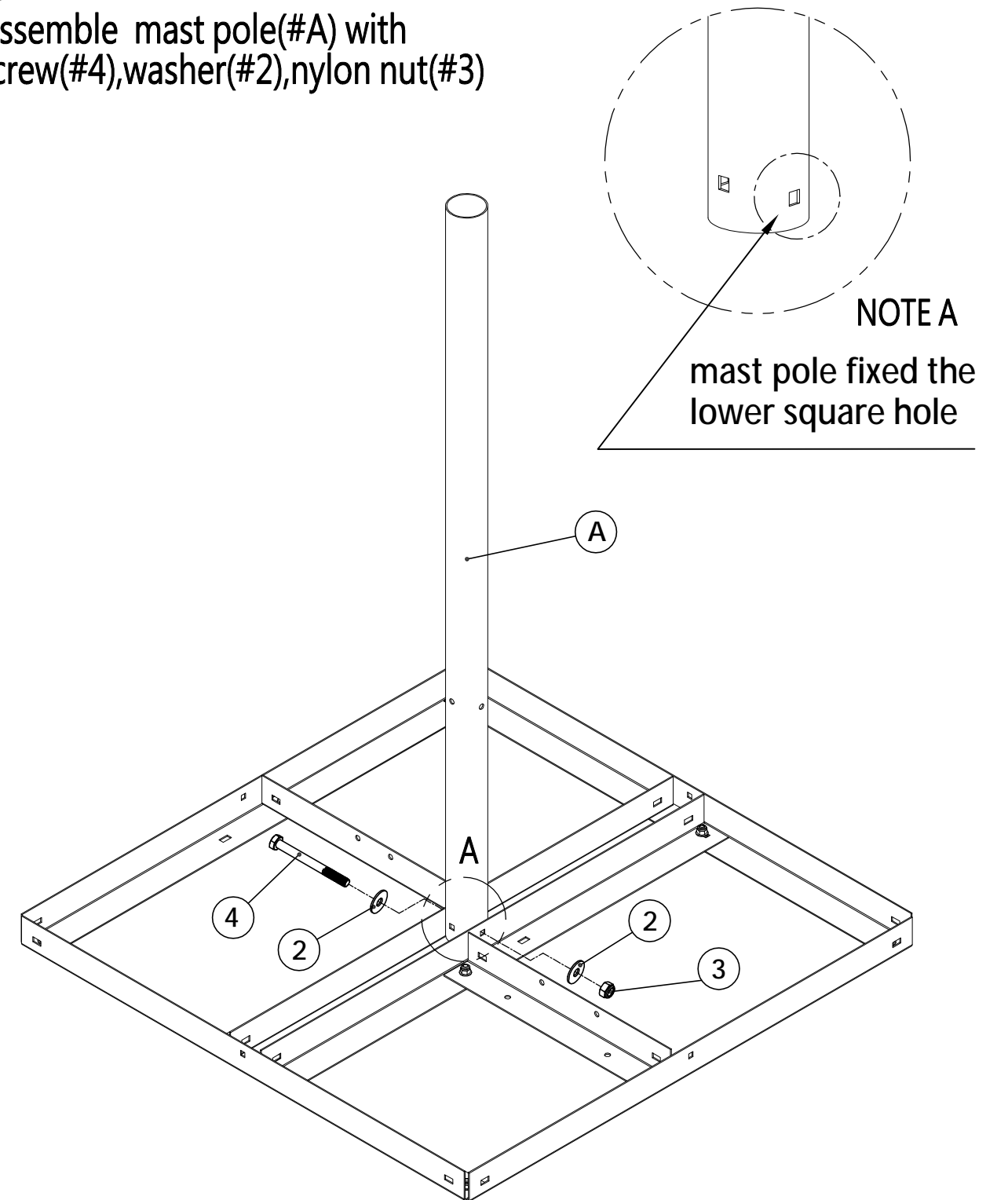
Step 1

Assemble Long mounting base (#B) and Short mounting base (#C) with screw(#1), washer(#2), nylon nut(#3)



Step 2

Assemble mast pole(#A) with screw(#4), washer(#2), nylon nut(#3)

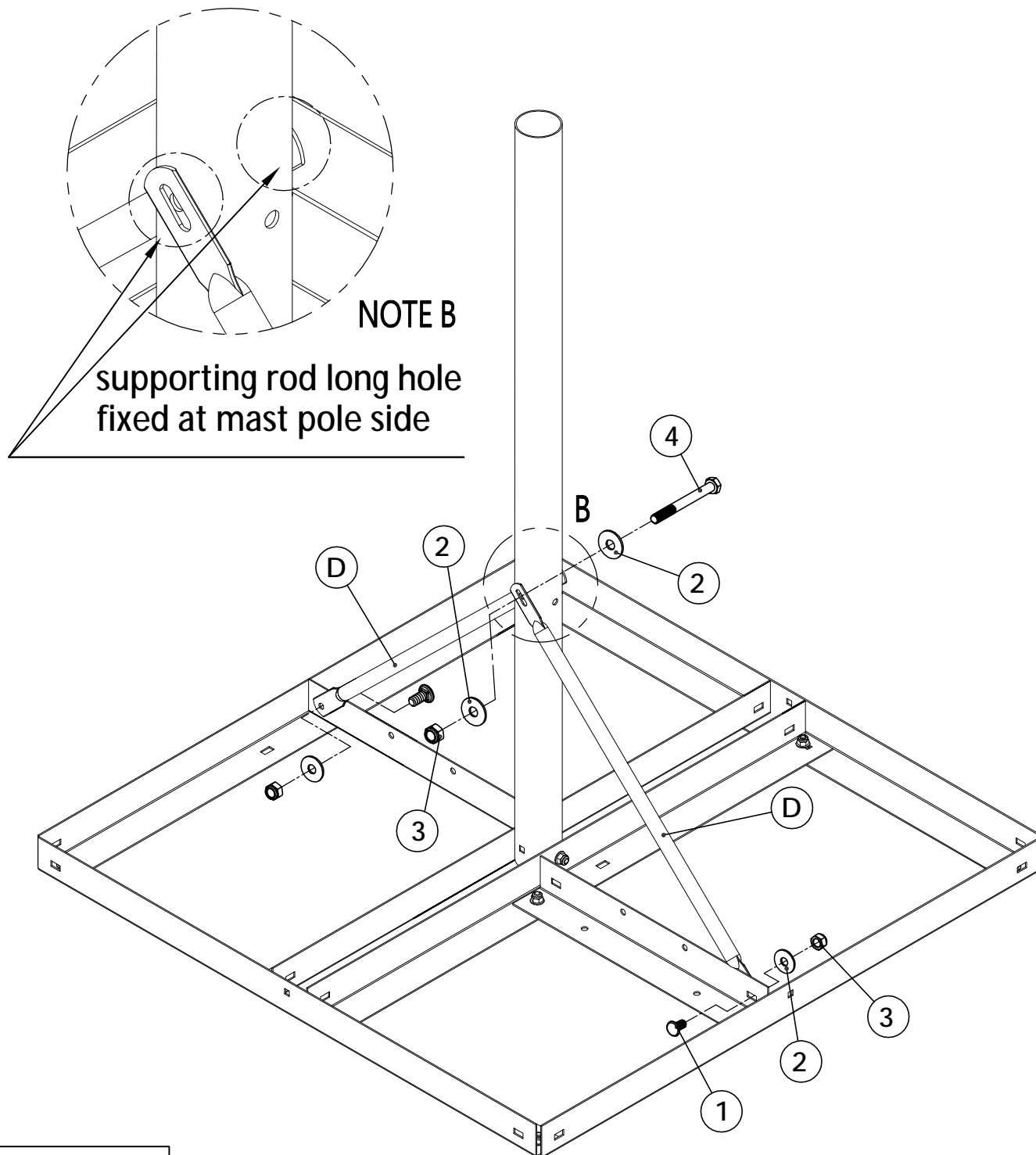


NON-PENETRATING FLAT ROOF MOUNT ASSEMBLY INSTRUCTION

INSTALLATION DESCRIPTION

Step 3

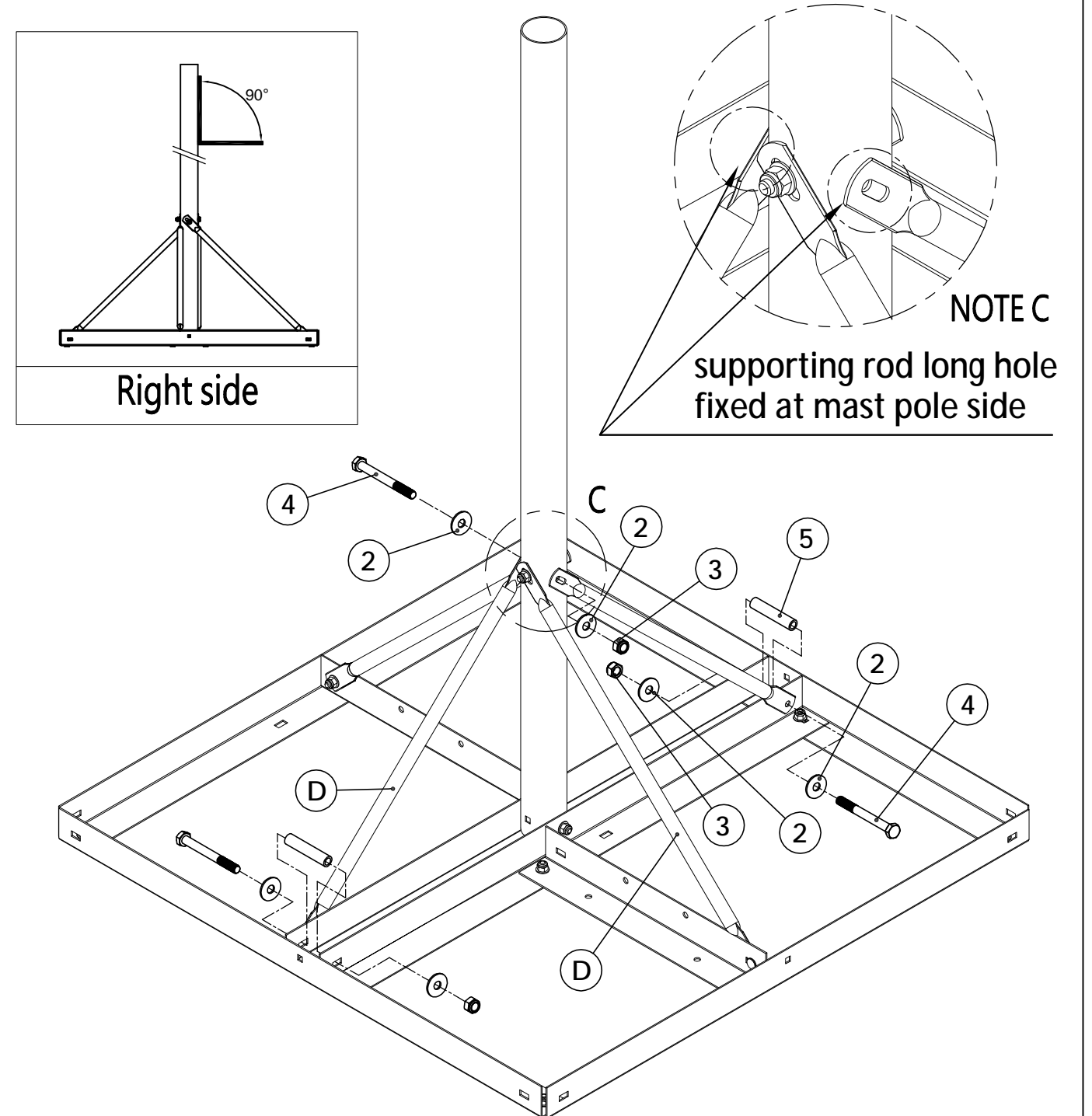
Assemble 2 supporting rods 614L(#D) with screw(#1),screw(#4),washer(#2),nylon nut(#3)




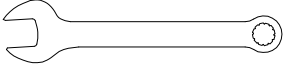

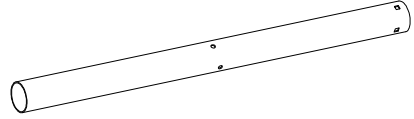

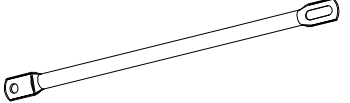
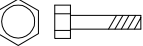
Step 4

Assemble 2 supporting rods 614L(#D) with screw(#4), washer(#2),nylon nut(#3),bush(#5)

Adjust pole angel to 90 degree then tighten all screw



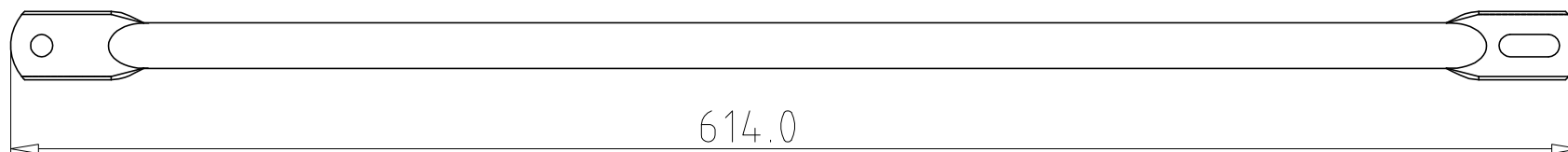
NON-PENETRATING FLAT ROOF MOUNT WITH OPTIONAL ARM ASSEMBLY INSTRUCTION 1/3

HARDWARE				TOOLS	PARTS						
NO	ITEM	DESCRIPTION	Q'TY		DESCRIPTION	Q'TY	DESCRIPTION	Q'TY	DESCRIPTION	Q'TY	
1		5/16"-18*3/4"Round flat head Square screw	2	 13mm wrench (not included)	Mast Pole (L850mm) (#A) 1		Supporting rod (Short) (#C) 1 L=595mm		E		
2		5/16"-18 washer	6			Supporting rod (Long) (#B) 2 L=614mm		D		F	
3		5/16"-18 nylon nut	4								
4		5/16"-18*3-1/8" hex-head cap screw	2								
5											
6											
7											
8											
9											
10											

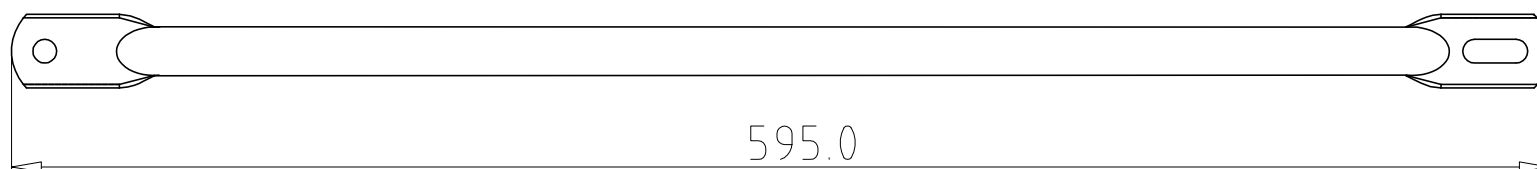
MEMO:

In order to prevent mistake, before assembly make sure supporting rod have 2 type dimension length

PART B x2pcs L=614mm



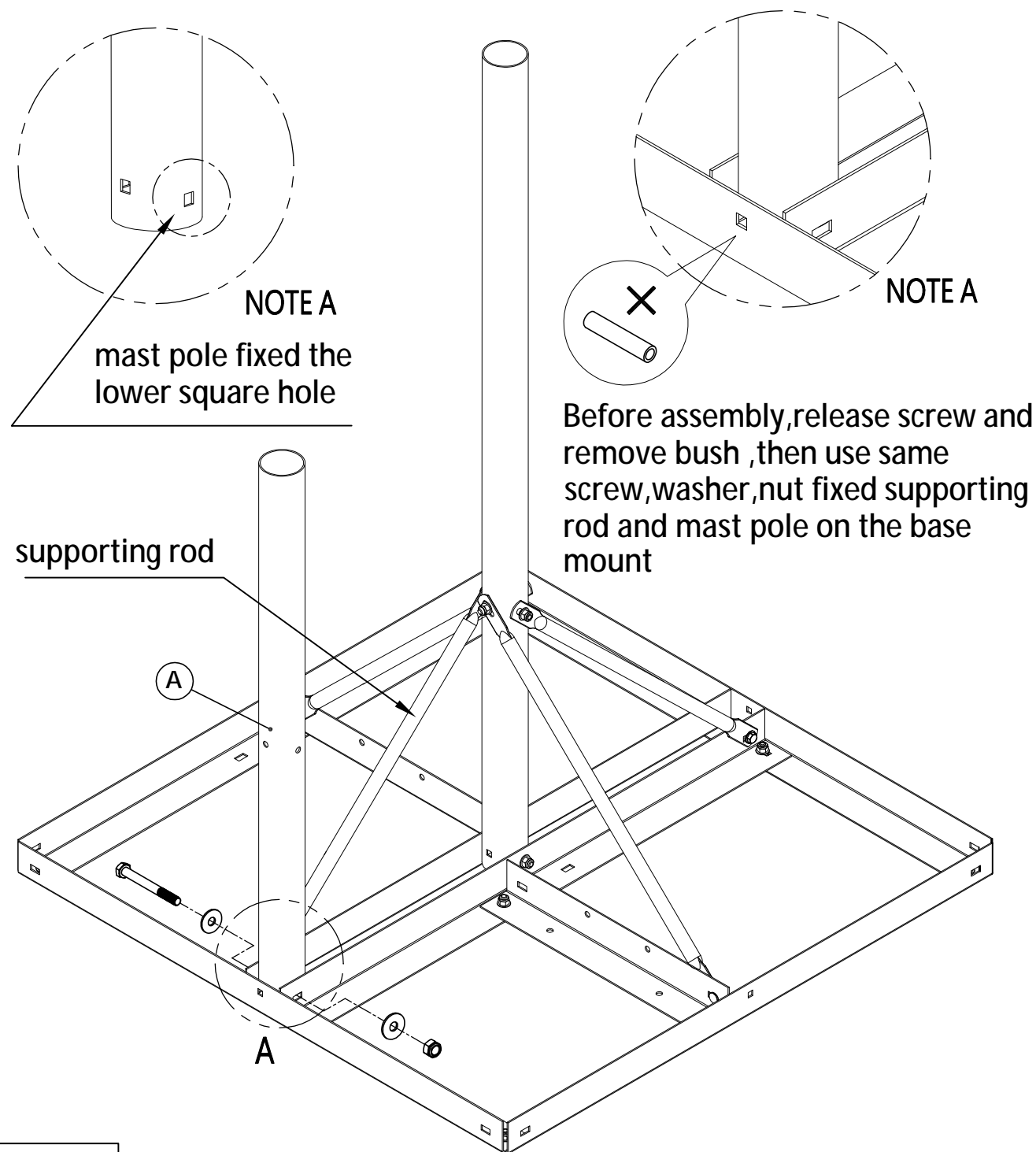
PART C x1pcs L=595mm



INSTALLATION DESCRIPTION

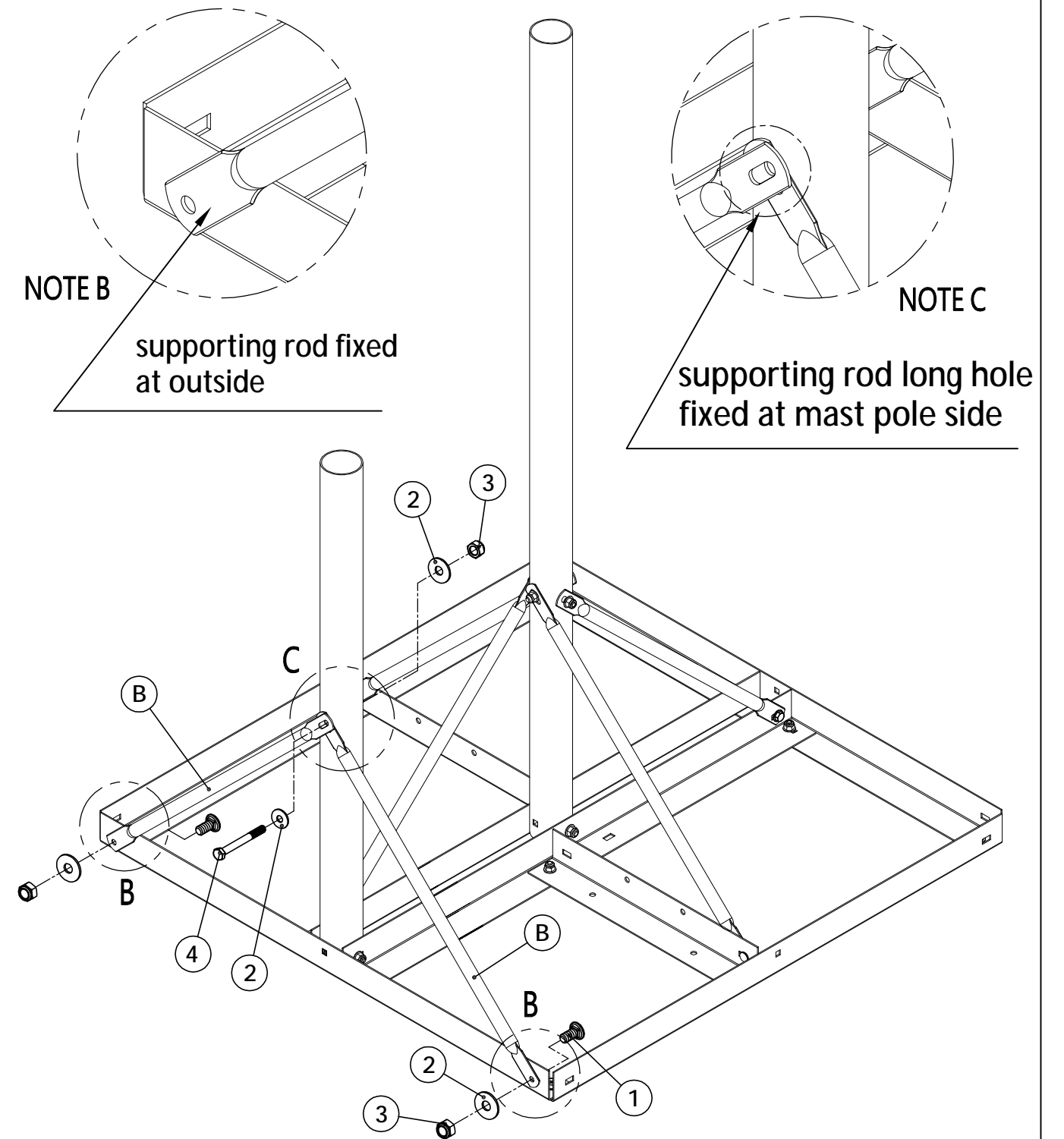
Step 1

Assemble mast pole (#A) with screw(original) ,washer(original), nylon nut(original)



Step 2

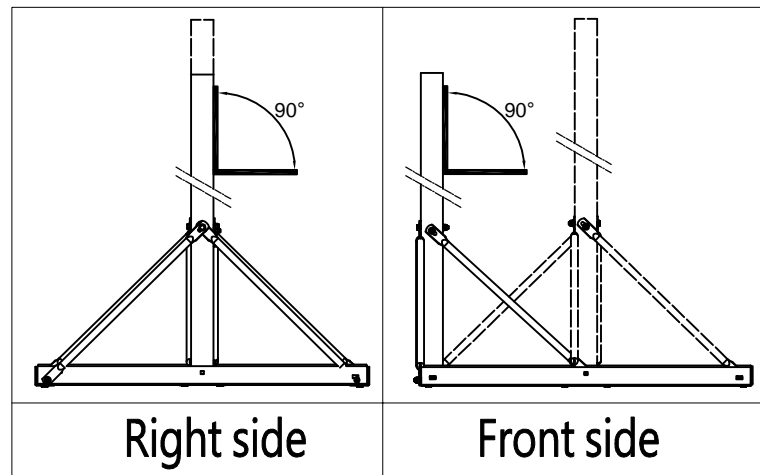
Assemble 2 Long supporting rods 614L(#B) with screw(#1),screw(#4),washer(#2),nylon nut(#3)



INSTALLATION DESCRIPTION

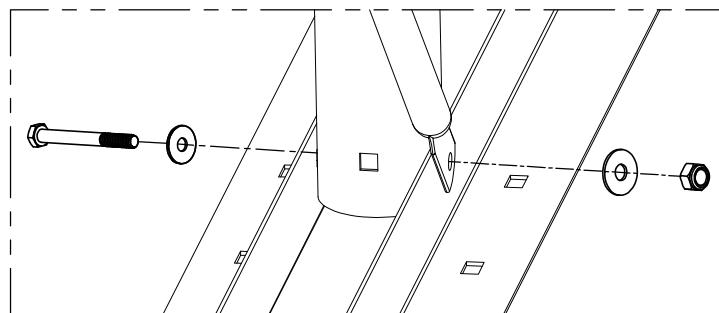
Step 3

Assemble short supporting rods 595L(#C) with screw(#4),washer(#2),nylon nut(#3)



Adjust pole angel to 90 degree then tighten all screw

NOTE D



Before assembly supporting rod,release screw and nut,then use same screw,washer,nut fixed supporting rod and mast pole on the base mount

