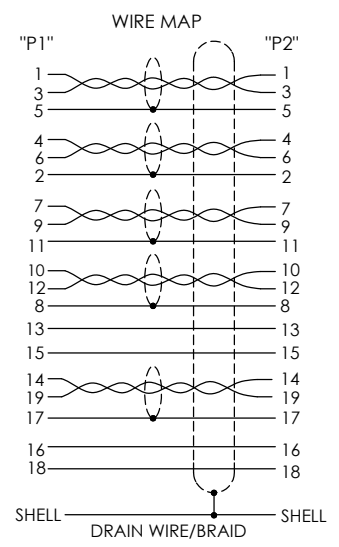
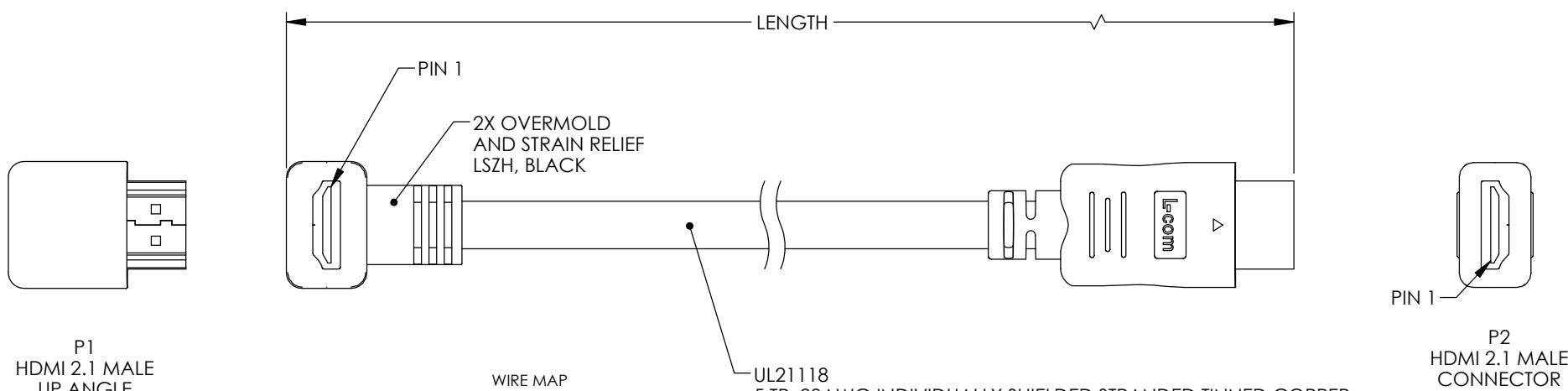


THE INFORMATION CONTAINED IN THIS DRAWING IS THE SOLE PROPERTY OF L-COM, INC. ANY REPRODUCTION IN PART OR WHOLE WITHOUT THE WRITTEN PERMISSION OF L-COM, INC. IS PROHIBITED.

REVISIONS			
REV	DESCRIPTION	DATE	APPROVED
A	INITIAL RELEASE	02/01/2022	dguftadauro


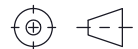


UL21118  
5 TP, 28AWG INDIVIDUALLY SHIELDED STRANDED TINNED COPPER  
4 COND. 28AWG STRANDED TINNED COPPER  
PLUS COPPER BRAID SHIELD  
JACKET: HDMI 2.1 LOW SMOKE ZERO HALOGEN, BLACK

ITEM NUMBER	LENGTH MM [FT]
HD21ZRAU-MM-BLK-05M	500.0 +51.0/-0 [1.64]
HD21ZRAU-MM-BLK-1M	1000.0 +51.0/-0 [3.28]
HD21ZRAU-MM-BLK-2M	2000.0 +102.0/-0 [6.56]
HD21ZRAU-MM-BLK-3M	3000.0 +102.0/-0 [9.84]

- NOTES:**
- VOLTAGE TEST: DC 300V 10MS  
INSULATION RESISTANCE: 5.0M ohm/min.  
CONDUCTANCE RESISTANCE: 5.0 ohm/max.
  - DUST CAPS INSTALLED AT SHIPPING. (NOT SHOWN)
  - CABLE ASSEMBLY SHALL BE TESTED FOR CONTINUITY.
  - CABLE ASSEMBLY SHALL BE INDIVIDUALLY PACKAGED IN ACCORDANCE WITH L-COM SPECIFICATION PS-0031.

**REGULATORY COMPLIANCE:**  
EU RoHS DIRECTIVE (MOST RECENT RELEASED VERSION)

UNLESS OTHERWISE SPECIFIED, DIMENSIONS ARE IN INCHES [mm]	APPROVALS	DATE	 50 High Street, West Mill, North Andover, MA 01845 USA. Phone: 1.800.341.5266 1.978.682.6936
	DRAWN BY DFRISIELLO	02/01/2022	
OVERALL CABLE LENGTH TOLERANCE: ≤12 [305] = +1 [25] / -0 >12 [305] ≤60 [1524] = +2 [51] / -0 >60 [1524] ≤120 [3048] = +4 [102] / -0 >120 [3048] ≤300 [7620] = +6 [152] / -0 >300 [7620] = +5% / -0	CHECKED BY DGUST	02/01/2022	CATEGORY <b>AUDIO/VIDEO</b>
ALL OTHER DIMENSIONAL TOLERANCES: .X = ± .2 [5]   FRACTIONS ± 1/32 .XX = ± .02 [5]   ANGLES ± 1° .XXX = ± .005 [13]	APPROVED BY dguftadauro	02/01/2022	PRODUCT DESCRIPTION <b>HDMI 2.1 Cable, M/RA-UP-M, LSZH, BLK</b>
THIRD-ANGLE PROJECTION 	CONFIGURATION DETAILS OF UNDIMENSIONED FEATURES MAY VARY	COLOR VARIATIONS MAY OCCUR	SIZE <b>A</b>
			CAGE CODE <b>43321</b>
			ITEM NO. <b>HD21ZRAU-MM-BLK</b>
			REV. <b>A</b>
			SCALE: NONE
			CAD FILE: HD21ZRAU-MM-BLK.SLDDRW
			SHEET 1 OF 1