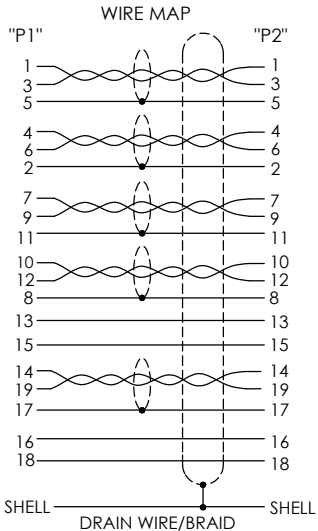
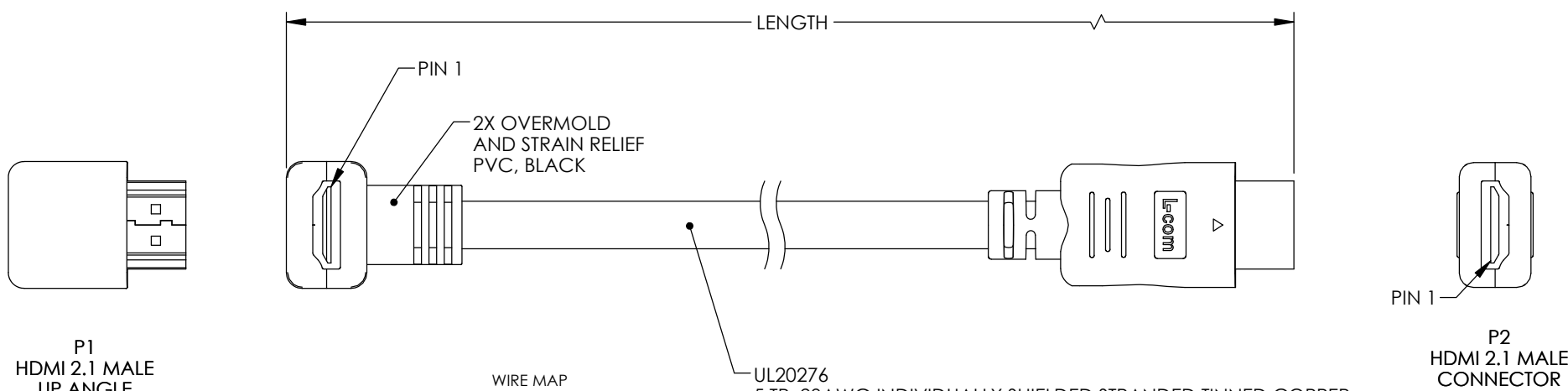


THE INFORMATION CONTAINED IN THIS DRAWING IS THE SOLE PROPERTY OF L-COM, INC. ANY REPRODUCTION IN PART OR WHOLE WITHOUT THE WRITTEN PERMISSION OF L-COM, INC. IS PROHIBITED.


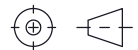
REVISIONS			
REV	DESCRIPTION	DATE	APPROVED
A	INITIAL RELEASE	02/01/2022	dguttadauro



ITEM NUMBER	LENGTH MM [FT]
HD21PRAU-MM-BLK-05M	500.0 +51.0/-0 [1.64]
HD21PRAU-MM-BLK-1M	1000.0 +51.0/-0 [3.28]
HD21PRAU-MM-BLK-2M	2000.0 +102.0/-0 [6.56]
HD21PRAU-MM-BLK-3M	3000.0 +102.0/-0 [9.84]

- NOTES:**
- VOLTAGE TEST: DC 300V 10MS
INSULATION RESISTANCE: 5.0M ohm/min.
CONDUCTANCE RESISTANCE: 5.0 ohm/max.
 - DUST CAPS INSTALLED AT SHIPPING. (NOT SHOWN)
 - CABLE ASSEMBLY SHALL BE TESTED FOR CONTINUITY.
 - CABLE ASSEMBLY SHALL BE INDIVIDUALLY PACKAGED IN ACCORDANCE WITH L-COM SPECIFICATION PS-0031.

REGULATORY COMPLIANCE:
EU RoHS DIRECTIVE (MOST RECENT RELEASED VERSION)

UNLESS OTHERWISE SPECIFIED, DIMENSIONS ARE IN INCHES [mm]	APPROVALS	DATE	 50 High Street, West Mill, North Andover, MA 01845 USA. Phone: 1.800.341.5266 1.978.682.6936				
	DRAWN BY DFRISIELLO	02/01/2022					
OVERALL CABLE LENGTH TOLERANCE: ≤12 [305] = +1 [25] / -0 >12 [305] ≤60 [1524] = +2 [51] / -0 >60 [1524] ≤120 [3048] = +4 [102] / -0 >120 [3048] ≤300 [7620] = +6 [152] / -0 >300 [7620] = +5% / -0	CHECKED BY DGUST	02/01/2022	CATEGORY AUDIO/VIDEO				
ALL OTHER DIMENSIONAL TOLERANCES: .X = ± .2 [5] FRACTIONS ± 1/32 .XX = ± .02 [5] ANGLES ± 1° .XXX = ± .005 [13]	APPROVED BY dguttadauro	02/01/2022	PRODUCT DESCRIPTION HDMI 2.1 Cable, M/RA-UP-M, PVC, BLK				
THIRD-ANGLE PROJECTION 	CONFIGURATION DETAILS OF UNDIMENSIONED FEATURES MAY VARY	COLOR VARIATIONS MAY OCCUR	<table border="1"> <tr> <td>SIZE A</td> <td>CAGE CODE 43321</td> <td>ITEM NO. HD21PRAU-MM-BLK</td> <td>REV. A</td> </tr> </table>	SIZE A	CAGE CODE 43321	ITEM NO. HD21PRAU-MM-BLK	REV. A
SIZE A	CAGE CODE 43321	ITEM NO. HD21PRAU-MM-BLK	REV. A				
SCALE: NONE		CAD FILE: HD21PRAU-MM-BLK.SLDDRW	SHEET 1 OF 1				