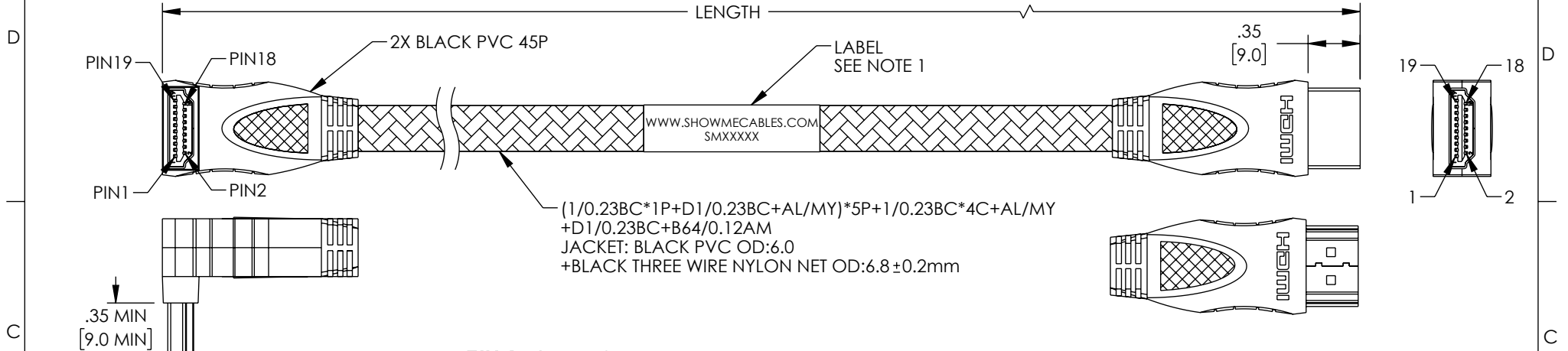


THE INFORMATION CONTAINED IN THIS DRAWING IS THE SOLE PROPERTY OF SHOW ME CABLES, INC. ANY REPRODUCTION IN PART OR WHOLE WITHOUT THE WRITTEN PERMISSION OF SHOW ME CABLES, INC. IS PROHIBITED.

REVISION					
ZONE	REV	DESCRIPTION	DATE	CHANGED BY	APPROVED
	A	INITIAL RELEASE	03/02/2023	DMAY	DGUTTADAURO



(1/0.23BC*1P+D1/0.23BC+AL/MY)*5P+1/0.23BC*4C+AL/MY
 +D1/0.23BC+B64/0.12AM
 JACKET: BLACK PVC OD:6.0
 +BLACK THREE WIRE NYLON NET OD:6.8±0.2mm

P1
 HDMI FM 19P
 PIN:G/F, SHELL: GOLD PLATED

PIN Assignment

P1 HDMI AM	P2 HDMI AM
1	1
3	3
5	5
4	4
6	6
2	2
7	7
9	9
11	11
10	10
12	12
8	8
14	14
19	19
17	17
13	13
15	15
18	18
18	18
Shell	Shell

P2
 HDMI FM 19P
 PIN:G/F, SHELL: GOLD PLATED

PART NUMBER	LENGTH	
	FEET	METERS
HD20-MM-RASD-1M	3.28	1.0±.03
HD20-MM-RASD-3M	9.84	3.0±.03

- NOTES:
- CABLE ASSEMBLY LENGTH LABEL PLACEMENT: 36 INCHES OR LESS, ONE LABEL, APPROXIMATELY CENTERED. LONGER THAN 36 INCHES, TWO LABELS APPROXIMATELY 6 INCHES FROM EACH CONNECTOR.
 - CABLE ASSEMBLY SHALL BE TESTED FOR CONTINUITY.
 - CABLE ASSEMBLY SHALL BE INDIVIDUALLY PACKAGED IN ACCORDANCE WITH L-COM SPECIFICATION PS-0031.

REGULATORY COMPLIANCE:
 EU RoHS DIRECTIVE (MOST RECENT RELEASED VERSION)

UNLESS OTHERWISE SPECIFIED, DIMENSIONS ARE IN INCHES [mm] OVERALL CABLE LENGTH TOLERANCE: ≤12 [305] = +1 [25] / -0 >12 [305] ≤60 [1524] = +2 [51] / -0 >60 [1524] ≤120 [3048] = +4 [102] / -0 >120 [3048] ≤300 [7620] = +6 [152] / -0 >300 [7620] = +5% / -0 ALL OTHER DIMENSIONAL TOLERANCES: .X = ±.2 [5] FRACTIONS ± 1/32 .XX = ±.02 [5] ANGLES ± 1° .XXX = ±.005 [13]	APPROVALS DRAWN BY DMAY CHECKED BY HBAKKE APPROVED BY DGUTTADAURO	DATE 03/02/2023 03/03/2023 03/03/2023	Show Me CABLES an INFINITI brand 115 Chesterfield Industrial Blvd., Chesterfield, MO 63005 Phone: 1.888.519.9505 Fax: 1.888.519.9515
	CONFIGURATION DETAILS OF UNDIMENSIONED FEATURES MAY VARY		CATEGORY AUDIO/VIDEO
	COLOR VARIATIONS MAY OCCUR		PRODUCT DESCRIPTION HDMI 2.0 90° M/M CABLE, NYLON BRAID, 4K@60Hz, RIGHT ANGLE STRAIGHT/DOWN
	THIRD-ANGLE PROJECTION 	SCALE: NONE	SIZE A CAGE CODE 3SVT8 ITEM NO. HD20-MM-RASD