

6

5

4

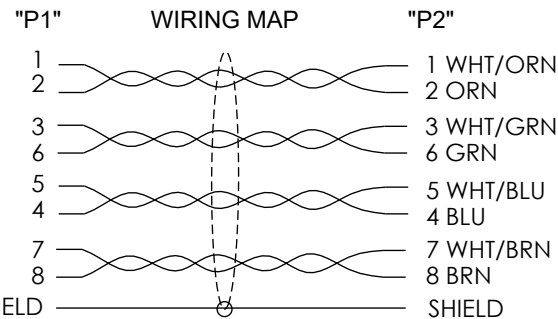
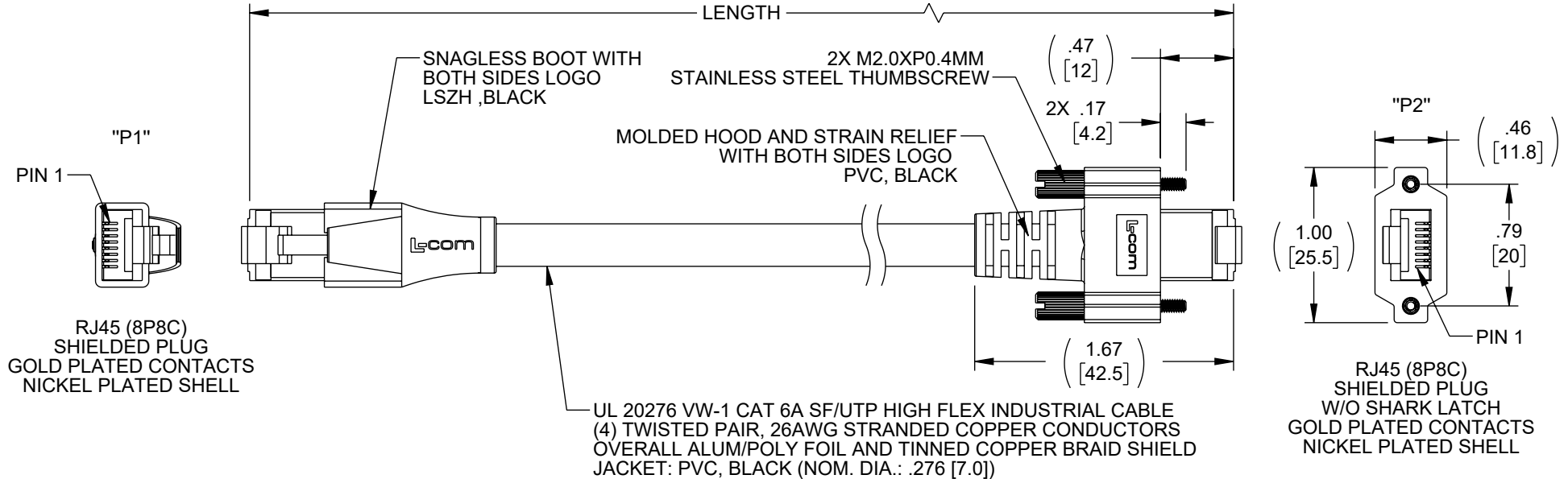
3

2

1

REVISION

ZONE	REV	DESCRIPTION	DATE	CHANGED BY	APPROVED
	A	UPDATED ITEM NO. AND TABLE	02/01/2024	SREITER	GUTTADAURO



PART NUMBER	LENGTH	
	METERS	FEET
GE619-C6B-1M	1.0	3.28
GE619-C6B-1.5M	1.5	4.92
GE619-C6B-2M	2.0	6.56
GE619-C6B-2.5M	2.5	8.20
GE619-C6B-3M	3.0	9.84
GE619-C6B-4M	4.0	13.12
GE619-C6B-5M	5.0	16.41
GE619-C6B-6M	6.0	19.69
GE619-C6B-7M	7.0	22.97
GE619-C6B-10M	10.0	32.82

NOTES:

ELECTRICAL:
VOLTAGE RATING: 30V

MECHANICAL:
MIN. FIXED BEND RADIUS: 5X O.D.
MIN. MOVING BEND RADIUS: 10X O.D.
CABLE TYPE-U DRAG CHAIN TESTING:
10 MILLION CYCLES (50mm Min. BENDING RADIUS)

ENVIRONMENTAL:
OPERATING TEMPERATURE RANGE:
-10°C TO +80°C(FIXED); -10°C TO +60°C(MOVING)

MISCELLANEOUS:
ALL LENGTH CABLE ASSEMBLY ARE CHANNEL RATED.
CABLE ASSEMBLY SHALL BE TESTED FOR CONTINUITY.
CABLE ASSEMBLY SHALL BE INDIVIDUALLY PACKAGED IN
ACCORDANCE WITH L-COM SPECIFICATION PS-0031.

THE INFORMATION CONTAINED IN THIS DRAWING IS THE SOLE PROPERTY OF INFINITE ELECTRONICS, INC. ANY REPRODUCTION IN PART OR WHOLE WITHOUT THE WRITTEN PERMISSION OF INFINITE ELECTRONICS, INC. IS PROHIBITED. THESE COMMODITIES, TECHNOLOGY OR SOFTWARE WERE EXPORTED FROM THE UNITED STATES IN ACCORDANCE WITH THE EXPORT ADMINISTRATION REGULATIONS. DIVERSION CONTRARY TO U.S. LAW PROHIBITED.

UNLESS OTHERWISE SPECIFIED
LEADING DIMENSIONS ARE INCHES
DIMENSIONS IN [] ARE MILLIMETERS

TOLERANCES:
X = ±.2 [5] | FRACTIONS ± 1/32
.XX = ±.02 [0.5] | ANGLES ± 1°
.XXX = ±.005 [0.13]

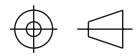
CABLE LENGTH TOLERANCES:
≤12 [305] = +1 [25] / -0
>12 [305] ≤ 60 [1524] = +2 [51] / -0
>60 [1524] ≤ 120 [3048] = +4 [102] / -0
>120 [3048] ≤ 300 [7620] = +6 [152] / -0
>300 [7620] = +5% / -0

ALL DIMENSIONS ARE FOR REFERENCE ONLY
AND SUBJECT TO CHANGE WITHOUT NOTICE.
UN-DIMENSIONED/NON-CRITICAL FEATURES
MAY VARY IN SIZE AND LOCATION
COLORS MAY VARY

Show Me
CABLES

an INFINIT® brand

Website: www.ShowMeCables.com
Phone: 1.888.519.9505



INTERPRET ALL DIMENSIONS AND
TOLERANCES PER ASME Y14.5

SCALE	SHEET
NONE	1 OF 1

DESCRIPTION

Cat6A RJ45/GigE SF/UTP 26STR PVC HIFLX BLK

SIZE	CAGE CODE	DRAWN BY	ITEM NO.	REV
A	3SVT8	SREITER	GE619-C6B	A

6

5

4

3

2

1