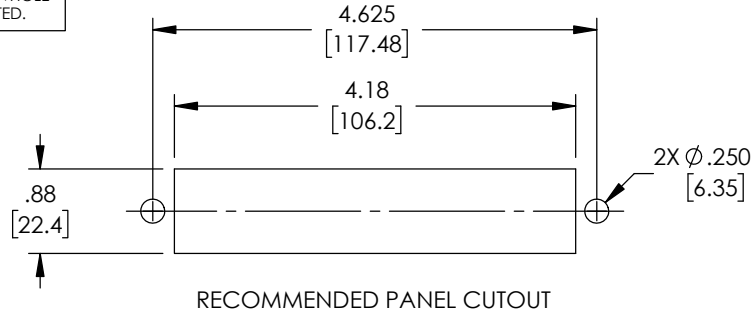
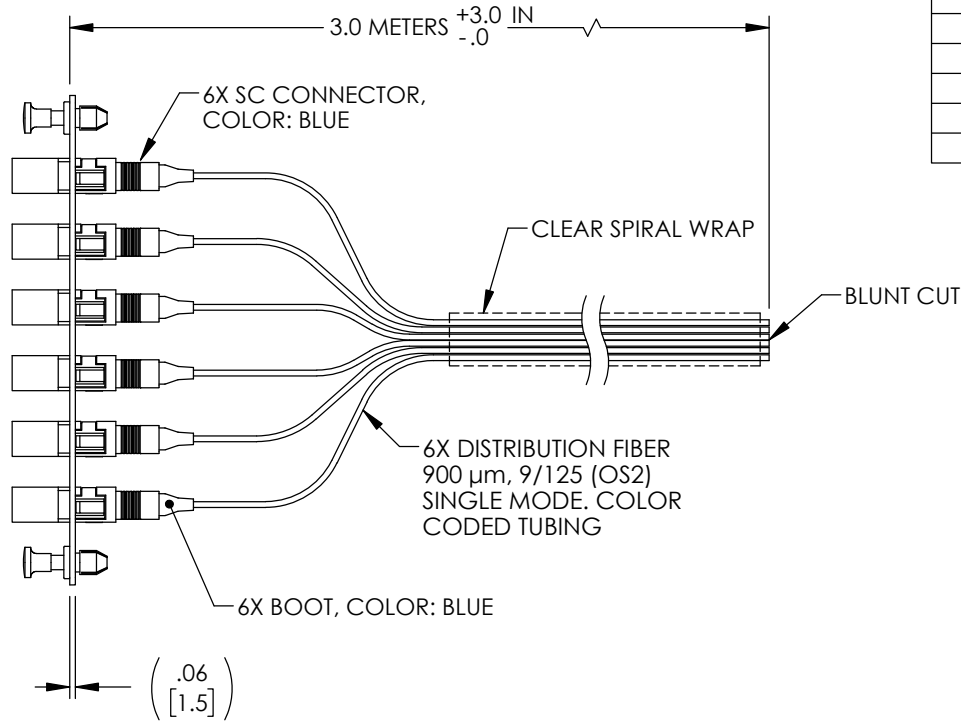
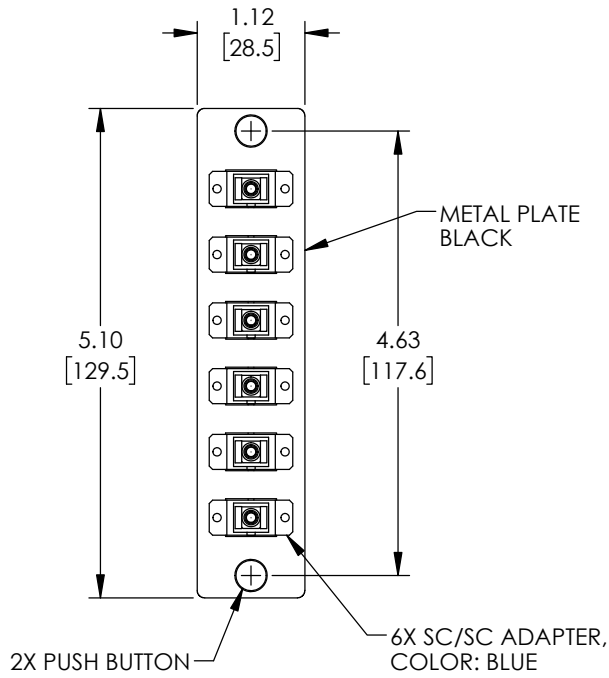


THE INFORMATION CONTAINED IN THIS DRAWING IS THE SOLE PROPERTY OF L-COM, INC. ANY REPRODUCTION IN PART OR WHOLE WITHOUT THE WRITTEN PERMISSION OF L-COM, INC. IS PROHIBITED.

| REVISIONS |                 |            |           |
|-----------|-----------------|------------|-----------|
| REV       | DESCRIPTION     | DATE       | APPROVED  |
| A         | INITIAL RELEASE | 07/09/2020 | PHOSPODAR |
|           |                 |            |           |
|           |                 |            |           |


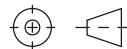


| FIBER # | FIBER COLOR |
|---------|-------------|
| 1       | BLUE        |
| 2       | ORANGE      |
| 3       | GREEN       |
| 4       | BROWN       |
| 5       | SLATE       |
| 6       | WHITE       |



**NOTES:**

- SC CONNECTOR ASSEMBLY POLISH TYPE: UPC
- ALL ADAPTERS ACCOMPANIED WITH A DUST CAP INSTALLED (NOT SHOWN).
- CABLE ASSEMBLY SHALL BE INDIVIDUALLY PACKAGED IN ACCORDANCE WITH L-COM SPECIFICATION PS-0031.

|  |  |   |  |
|--|--|---|--|
| UNLESS OTHERWISE SPECIFIED, DIMENSIONS ARE IN INCHES [mm]<br>OVERALL CABLE LENGTH TOLERANCE:<br>≤12 [305] = +1 [25] / -0<br>>12 [305] ≤60 [1524] = +2 [51] / -0<br>>60 [1524] ≤120 [3048] = +4 [102] / -0<br>>120 [3048] ≤300 [7620] = +6 [152] / -0<br>>300 [7620] = +5% / -0<br>ALL OTHER DIMENSIONAL TOLERANCES:<br>.X = ± .2 [5]   FRACTIONS ± 1/32<br>.XX = ± .02 [5]   ANGLES ± 1°<br>.XXX = ± .005 [13] | APPROVALS  | DATE  | <br>50 High Street, West Mill,<br>North Andover, MA 01845 USA.<br>Phone: 1.800.341.5266<br>1.978.682.6936 |
|  | DRAWN BY<br>DFRISIELLO                                   | 07/09/2020  |  |
| APPROVED BY<br>PHOSPODAR   | 07/09/2020   | CATEGORY<br><b>FIBER OPTICS</b>   |  |
| THIRD-ANGLE PROJECTION<br>  | CONFIGURATION DETAILS OF UNDIMENSIONED FEATURES MAY VARY | PRODUCT DESCRIPTION<br><b>Six-Pack Adapters, SC/UPC, 6 Fiber Pigtail, Singlemode, Black</b> |  |
| COLOR VARIATIONS MAY OCCUR   | SIZE<br><b>A</b>   | CAGE CODE<br><b>43321</b>   | ITEM NO.<br><b>FSP06-SCUSM-BL</b>  |
| SCALE: NONE  |  | CAD FILE: FSP06-SCUSM-BL.SLDDRW   |  |
| SHEET 1 OF 1   |  |   | REV.<br><b>A</b>   |