

Fiber Optic Transceiver SFP OC-3 (155Mbps), 80 km reach, 1550nm



FOX-SFP-OC03-55-80

Features

- Operating Data Rate up to 155Mbps
- Distance Range 80km
- Pluggable SFP Duplex LC Connector
- Standard Operating Temperature
- MSA Compliant

Applications

- Fast Ethernet
- SONET/SDH
- ATM Switches and Routers
- Optical Links

Description

The Show Me Cables FOX-SFP-OC03-55-80 is an SFP form-factor transceiver, supporting OC-3 (155Mbps) data rates. The Show Me Cables FOX-SFP-OC03-55-80 features a 1550nm transmitter and supports 80 km links over single mode fiber. The FOX-SFP-OC03-55-80 is an MSA-compliant transceiver, compatible with most switch and router platforms. The Show Me Cables FOX-SFP-OC03-55-80 features digital diagnostics for performance monitoring of the transceiver. The Show Me Cables FOX-SFP-OC03-55-80 SFP transceiver is one of thousands of fiber optic connectivity products available from Show Me Cables in-stock and ready to ship. Contact our knowledgeable technical support and sales staff for your answers on fiber optic connectivity or other Show Me Cables products.

Configuration

Connector 1	LC
Connector Mode	Duplex
Compatibility	MSA

Filter Specifications

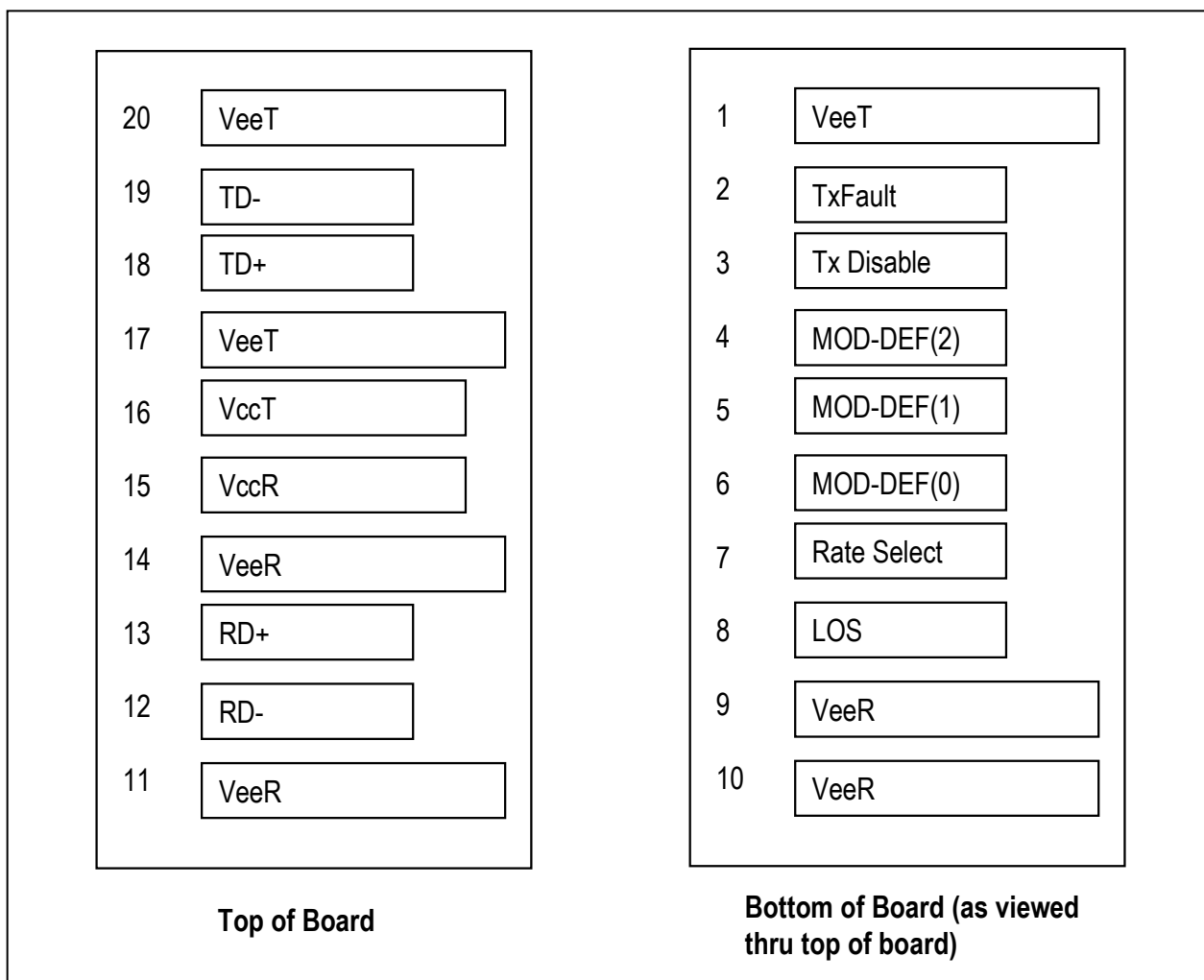
Description	Minimum	Typical	Maximum	Units
TX Center Wavelength	1,480	1,550	1,580	nm
TX Spectral Width			1	nm
TX Average Output Power	-5		0	dBm
TX Extinction Ratio	10			dB
RX Center Wavelength	1,260		1,600	nm
RX Receiver Sensitivity			-34	dBm
RX Receiver Overload	-10			dBm

Click the following link (or enter part number in "SEARCH" on website) to obtain additional part information including price, inventory and certifications:
[Fiber Optic Transceiver SFP OC-3 \(155Mbps\), 80 km reach, 1550nm](#)

Fiber Optic Transceiver SFP OC-3 (155Mbps), 80 km reach, 1550nm



Small Form-factor Pluggable (SFP) Transceiver MultiSource Agreement (MSA)



Fiber Optic Transceiver SFP OC-3 (155Mbps), 80 km reach, 1550nm

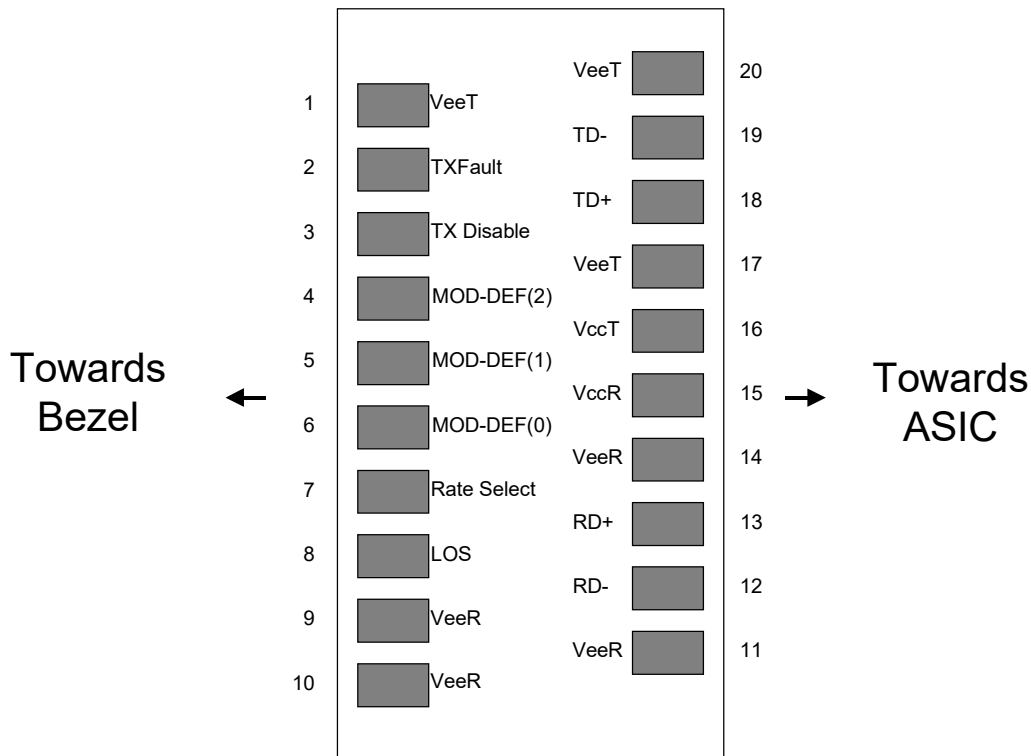


Figure 1. Diagram of Host Board Connector Block Pin Numbers and Names

Environmental Specifications

Temperature

Operating Range

0 to +70 deg C

Storage Range

-40 to +85 deg C

Notes:

Compliance Certifications (see [product page](#) for current document)

Plotted and Other Data

Notes:

Fiber Optic Transceiver SFP OC-3 (155Mbps), 80 km reach, 1550nm



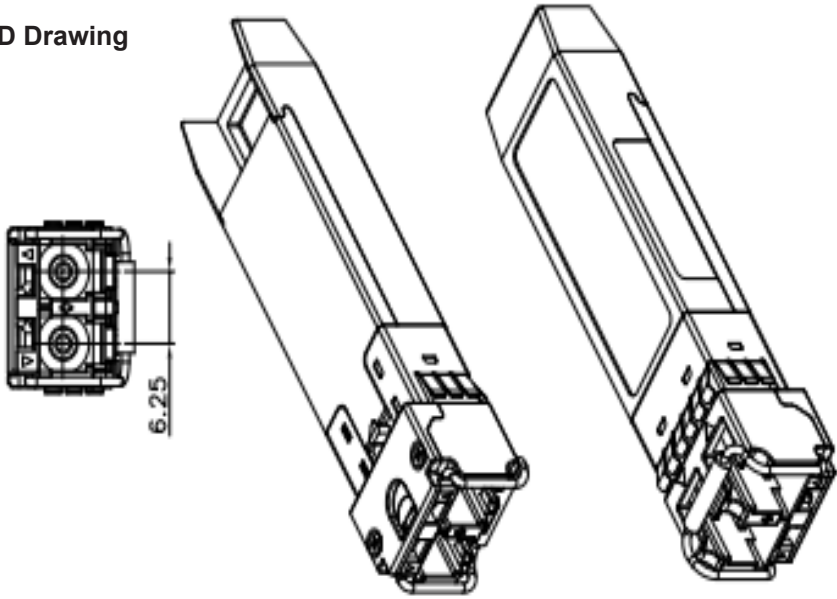
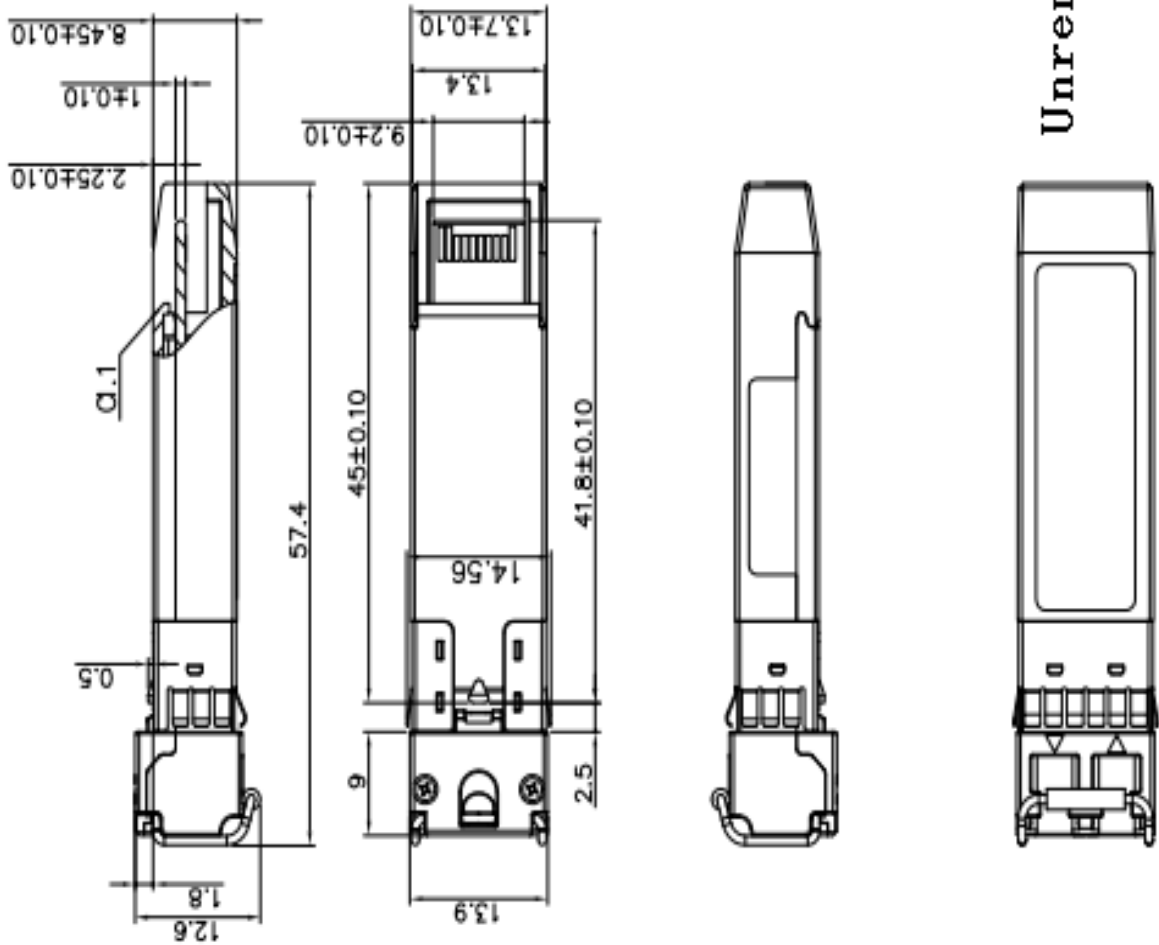
Fiber Optic Transceiver SFP OC-3 (155Mbps), 80 km reach, 1550nm from Show Me Cables has same day shipment for domestic and International orders. Click the following link (or enter part number in "SEARCH" on website) to obtain additional part information including price, inventory and certifications.

URL: <https://www.showmecables.com/fiber-optic-transceiver-sfp-oc-3-155mbps-80-km-reach-1550nm-fxc-sfpoc03-55-80-p.aspx>

The information contained within this document is accurate to the best of our knowledge and representative of the part described herein. It may be necessary to make modifications to the part and/or the documentation of the part in order to implement improvements. Show Me Cables reserves the right to make such changes as required. Unless otherwise stated, all specifications are nominal. Show Me Cables does not make any representation or warranty regarding the suitability of the part described herein for any particular purpose, and Show Me Cables does not assume liability arising out of the use of any part or document.

FOX-SFP-OC03-55-80 CAD Drawing

Mechanical Specifications



Unremarked tolerances ±0.2mm