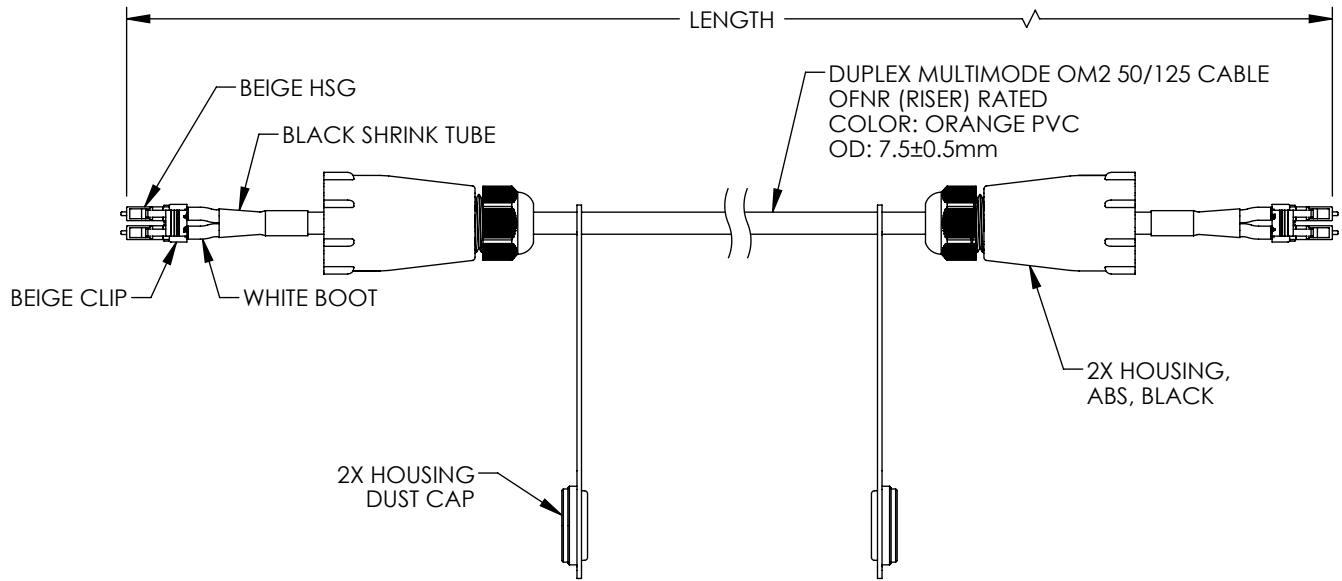


THE INFORMATION CONTAINED IN THIS DRAWING IS THE SOLE PROPERTY OF L-COM, INC. ANY REPRODUCTION IN PART OR WHOLE WITHOUT THE WRITTEN PERMISSION OF L-COM, INC. IS PROHIBITED.


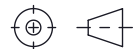
REVISIONS			
REV	DESCRIPTION	DATE	APPROVED
A	INITIAL RELEASE	05/24/2021	PHOSPODAR



PART NUMBER	LENGTH	
	METERS	FEET
FOCA2LCOM2MM-1	1±30mm	3.28±1.2in
FOCA2LCOM2MM-2	2±30mm	6.56±1.2in
FOCA2LCOM2MM-5	5+152/-51mm	16.40+6.0/-2.0in
FOCA2LCOM2MM-10	10+152/-51mm	32.80+6.0/-2.0in

NOTES:

1. LC CONNECTOR ASSEMBLY POLISH TYPE: PC
2. CONNECTORS SUPPLIED WITH DUST CAP INSTALLED, NOT SHOWN.
3. CABLE ASSEMBLY SHALL BE INDIVIDUALLY PACKAGED IN ACCORDANCE WITH L-COM SPECIFICATION PS-0031.
4. IP RATING: IP 68 (WHEN MATED).

UNLESS OTHERWISE SPECIFIED, DIMENSIONS ARE IN INCHES [mm] OVERALL CABLE LENGTH TOLERANCE: ≤12 [305] = +1 [25] / -0 >12 [305] ≤60 [1524] = +2 [51] / -0 >60 [1524] ≤120 [3048] = +4 [102] / -0 >120 [3048] ≤300 [7620] = +6 [152] / -0 >300 [7620] = +5% / -0 ALL OTHER DIMENSIONAL TOLERANCES: .X = ± .2 [5] FRACTIONS ± 1/32 .XX = ± .02 [5] ANGLES ± 1° .XXX = ± .005 [13]	APPROVALS DRAWN BY: DZINN CHECKED BY: DFRISIELLO APPROVED BY: PHOSPODAR	DATE 05/24/2021 05/24/2021 05/24/2021	 an INFINITO® brand 50 High Street, West Mill, North Andover, MA 01845 USA. Phone: 1.800.341.5266 1.978.682.6936
	THIRD-ANGLE PROJECTION 	CONFIGURATION DETAILS OF UNDIMENSIONED FEATURES MAY VARY COLOR VARIATIONS MAY OCCUR	CATEGORY FIBER OPTIC
SIZE A		CAGE CODE 43321	ITEM NO. FOCA2LCOM2MM
SCALE: NONE		CAD FILE: FOCA2LCOM2MM.SLDDRW	SHEET 1 OF 1