

THE INFORMATION CONTAINED IN THIS DRAWING IS THE SOLE PROPERTY OF L-COM, INC. ANY REPRODUCTION IN PART OR WHOLE WITHOUT THE WRITTEN PERMISSION OF L-COM, INC. IS PROHIBITED.

| REVISIONS | | | |
|-----------|-----------------|------------|-----------|
| REV | DESCRIPTION | DATE | APPROVED |
| A | INITIAL RELEASE | 05/18/2022 | PHOSPODAR |
| | | | |
| | | | |

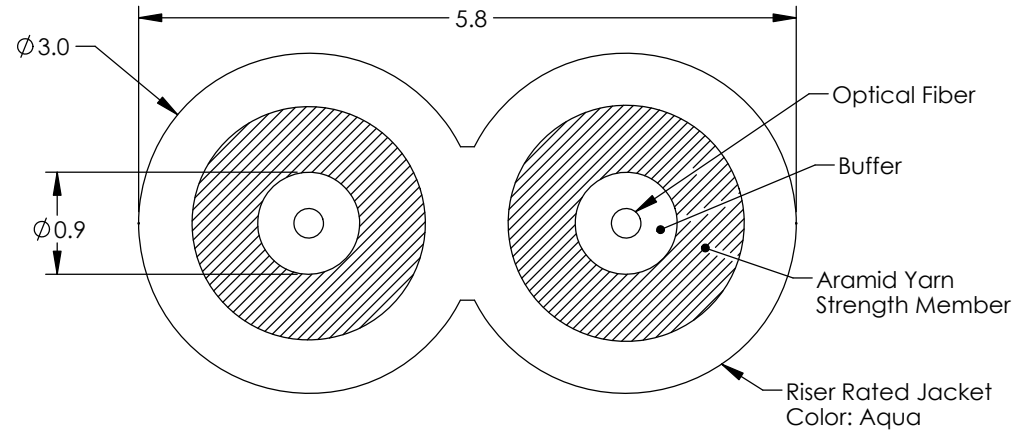
| | |
|-------------------|-------------------------------|
| FIBER TYPE | MULTIMODE, OM4, DUPLEX, RISER |
| CORE DIAMETER | 50 μ m |
| CLADDING DIAMETER | 125 μ m |
| BUFFER | 0.87 \pm 0.05 |

| | | |
|----------------------------------|-----------------------|--------------------|
| WAVELENGTH: | 850/1300nm FIBER TYPE | 850/1300nm MAXIMUM |
| ATTENUATION | 3.0/1.0 dB/km | 3.5/1.5 dB/km |
| OFL BANDWIDTH (MHz.km) | \geq 3500/500 | |
| EFFECTIVE MODER (MHz.km) (850nm) | \geq 4700 | |
| 10G ETHERNET SX (M) (850nm) | \leq 550 | |

| | |
|---------------------------|-----|
| MAX. TENSILE STRENGTH (N) | |
| SHORT TERM | 200 |
| LONG TERM | 100 |

| | |
|-----------------------|----------|
| MIN. BEND RADIUS (mm) | |
| DYNAMIC | 20X DIA. |
| STATIC | 10X DIA. |

| | |
|---------------------------------|-----|
| MAX. CRUSH RESISTANCE (N/100mm) | |
| SHORT TERM | 500 |
| LONG TERM | 100 |




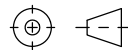
ALL DIMENSIONS IN mm, DRAWING NOT TO SCALE

NOTES:

- BULK CABLE SHALL BE INDIVIDUALLY PACKAGED IN ACCORDANCE WITH L-COM SPECIFICATION PS-0031.

REGULATORY COMPLIANCE:

EU RoHS DIRECTIVE (MOST RECENT RELEASED VERSION)

| | | | |
|---|---|---|--|
| UNLESS OTHERWISE SPECIFIED, DIMENSIONS ARE IN INCHES [mm] | APPROVALS | DATE |  50 High Street, West Mill, North Andover, MA 01845 USA. Phone: 1.800.341.5266 1.978.682.6936 |
| | OVERALL CABLE LENGTH TOLERANCE: ≤ 12 [305] = +1 [25] / -0 > 12 [305] ≤ 60 [1524] = +2 [51] / -0 > 60 [1524] ≤ 120 [3048] = +4 [102] / -0 > 120 [3048] ≤ 300 [7620] = +6 [152] / -0 > 300 [7620] = +5% / -0 | DRAWN BY DFRISIELLO 05/18/2022 CHECKED BY DZINN 05/18/2022 APPROVED BY PHOSPODAR 05/18/2022 | |
| ALL OTHER DIMENSIONAL TOLERANCES: .X = \pm .2 [5] .XX = \pm .02 [.5] .XXX = \pm .005 [.13] | CONFIGURATION DETAILS OF UNDIMENSIONED FEATURES MAY VARY | PRODUCT DESCRIPTION Round Duplex Optical Cable, 50/125 40/100GB OM4, Riser Rated, 3.0mm | SIZE A |
| THIRD-ANGLE PROJECTION  | COLOR VARIATIONS MAY OCCUR | CAGE CODE 43321 | ITEM NO. FOB-2F3DM4R-M |
| SCALE: NONE | | CAD FILE: FOB-2F3DM4R-M.SLDDRW | SHEET 1 OF 1 |