

THE INFORMATION CONTAINED IN THIS DRAWING IS THE SOLE PROPERTY OF L-COM, INC. ANY REPRODUCTION IN PART OR WHOLE WITHOUT THE WRITTEN PERMISSION OF L-COM, INC. IS PROHIBITED.

REVISION					
ZONE	REV.	DESCRIPTION	DATE	CHANGED BY	APPROVED BY
	A	INITIAL RELEASE	08/04/2023	BPUCHASKI	PHOSPODAR

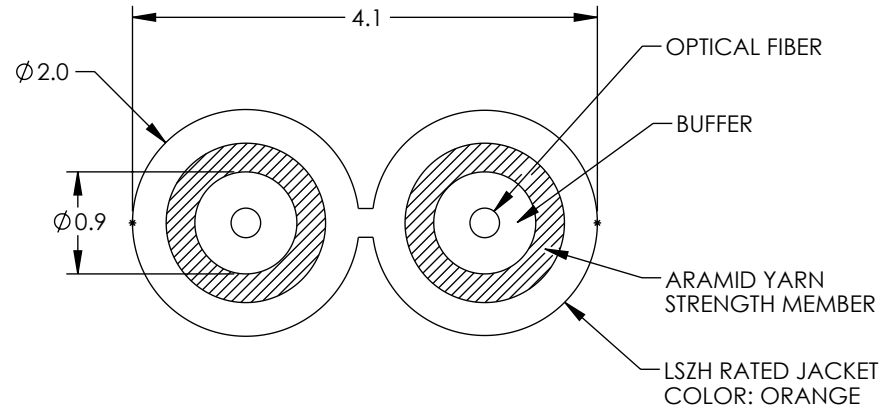
FIBER TYPE	MULTIMODE, OM2, DUPLEX, LSZH
CORE DIAMETER	50 $\mu$ m
CLADDING DIAMETER	125 $\mu$ m
BUFFER	0.87 $\pm$ 0.05

WAVELENGTH:	850/1300nm FIBER TYPE	850/1300nm MAXIMUM
ATTENUATION	3.0/1.0 dB/km	3.5/1.5 dB/km
OFL BANDWIDTH (MHz.km)	$\geq$ 500/500	

MAX. TENSILE STRENGTH (N)	
SHORT TERM	150
LONG TERM	70

MIN. BEND RADIUS (mm)	
DYNAMIC	20X DIA.
STATIC	10X DIA.

MAX. CRUSH RESISTANCE (N/100mm)	
SHORT TERM	300
LONG TERM	100




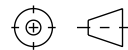
ALL DIMENSIONS IN mm, DRAWING NOT TO SCALE

NOTES:

- BULK CABLE SHALL BE INDIVIDUALLY PACKAGED IN ACCORDANCE WITH L-COM SPECIFICATION PS-0031.

REGULATORY COMPLIANCE:

EU RoHS DIRECTIVE (MOST RECENT RELEASED VERSION)

UNLESS OTHERWISE SPECIFIED, DIMENSIONS ARE IN INCHES [mm] OVERALL CABLE LENGTH TOLERANCE: $\leq 12$ [305] = +1 [25] / -0 $> 12$ [305] $\leq 60$ [1524] = +2 [51] / -0 $> 60$ [1524] $\leq 120$ [3048] = +4 [102] / -0 $> 120$ [3048] $\leq 300$ [7620] = +6 [152] / -0 $> 300$ [7620] = +5% / -0 ALL OTHER DIMENSIONAL TOLERANCES: .X = $\pm .2$ [5]   FRACTIONS $\pm 1/32$ .XX = $\pm .02$ [.5]   ANGLES $\pm 1^\circ$ .XXX = $\pm .005$ [.13]	APPROVALS	DATE	 50 High Street, West Mill, North Andover, MA 01845 USA. Phone: 1.800.341.5266 1.978.682.6936
	DRAWN BY BPUCHASKI	08/04/2023	
	APPROVED BY PHOSPODAR	08/04/2023	CATEGORY FIBER OPTICS
THIRD-ANGLE PROJECTION 	CONFIGURATION DETAILS OF UNDIMENSIONED FEATURES MAY VARY	PRODUCT DESCRIPTION Round Duplex Optical Cable, 50/125 OM2, LSZH Rated, 2.0mm	
	COLOR VARIATIONS MAY OCCUR	SIZE A	CAGE CODE 43321
		ITEM NO. FOB-2F2DM2Z-M	REV. A
		SCALE: NONE	CAD FILE: FOB-2F2DM2Z-M.SLDDRW
			SHEET 1 OF 1