

THE INFORMATION CONTAINED IN THIS DRAWING IS THE SOLE PROPERTY OF L-COM, INC. ANY REPRODUCTION IN PART OR WHOLE WITHOUT THE WRITTEN PERMISSION OF L-COM, INC. IS PROHIBITED.

| REVISION | | | | | |
|----------|------|-----------------|------------|------------|-------------|
| ZONE | REV. | DESCRIPTION | DATE | CHANGED BY | APPROVED BY |
| | A | INITIAL RELEASE | 08/04/2023 | BPUCHASKI | PHOSPODAR |

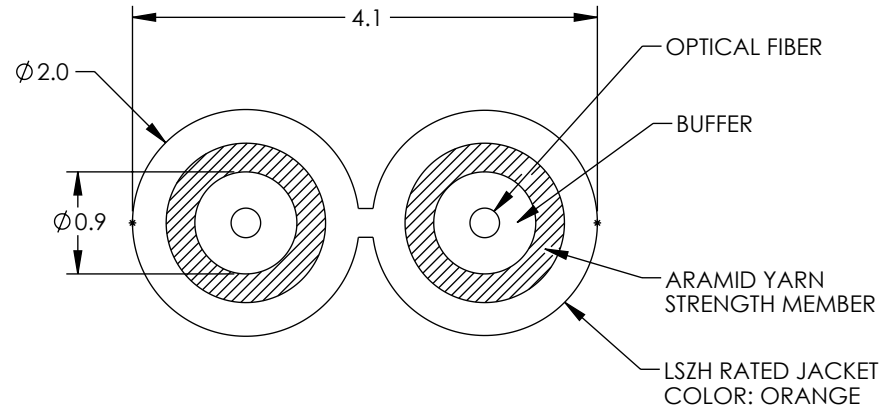
| | | |
|-------------------|------------------------------|--|
| FIBER TYPE | MULTIMODE, OM1, DUPLEX, LSZH | |
| CORE DIAMETER | 62.5 μ m | |
| CLADDING DIAMETER | 125 μ m | |
| BUFFER | 0.87 \pm 0.05 | |

| | | |
|------------------------|--------------------------|-----------------------|
| WAVELENGTH: | 850/1300nm FIBER TYPE | 850/1300nm MAXIMUM |
| ATTENUATION | 3.0/1.0 dB/km | 3.5/1.5 dB/km |
| OFL BANDWIDTH (MHz.km) | \geq 200/500 | |

| | |
|---------------------------|-----|
| MAX. TENSILE STRENGTH (N) | |
| SHORT TERM | 150 |
| LONG TERM | 70 |

| | |
|-----------------------|----------|
| MIN. BEND RADIUS (mm) | |
| DYNAMIC | 20X DIA. |
| STATIC | 10X DIA. |

| | |
|---------------------------------|-----|
| MAX. CRUSH RESISTANCE (N/100mm) | |
| SHORT TERM | 300 |
| LONG TERM | 100 |


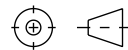


ALL DIMENSIONS IN mm, DRAWING NOT TO SCALE

NOTES:

- BULK CABLE SHALL BE INDIVIDUALLY PACKAGED IN ACCORDANCE WITH L-COM SPECIFICATION PS-0031.

REGULATORY COMPLIANCE:
EU RoHS DIRECTIVE (MOST RECENT RELEASED VERSION)

| | | | |
|---|--|--------------------------------|--|
| UNLESS OTHERWISE SPECIFIED, DIMENSIONS ARE IN INCHES [mm] OVERALL CABLE LENGTH TOLERANCE: ≤ 12 [305] = +1 [25] / -0 > 12 [305] ≤ 60 [1524] = +2 [51] / -0 > 60 [1524] ≤ 120 [3048] = +4 [102] / -0 > 120 [3048] ≤ 300 [7620] = +6 [152] / -0 > 300 [7620] = +5% / -0 ALL OTHER DIMENSIONAL TOLERANCES: .X = $\pm .2$ [5] FRACTIONS $\pm 1/32$.XX = $\pm .02$ [.5] ANGLES $\pm 1^\circ$.XXX = $\pm .005$ [.13] | APPROVALS | DATE |  50 High Street, West Mill, North Andover, MA 01845 USA. Phone: 1.800.341.5266 1.978.682.6936 |
| | DRAWN BY BPUCHASKI | 08/04/2023 | |
| | APPROVED BY PHOSPODAR | 08/04/2023 | CATEGORY FIBER OPTICS |
| THIRD-ANGLE PROJECTION  | CONFIGURATION DETAILS OF UNDIMENSIONED FEATURES MAY VARY | COLOR VARIATIONS MAY OCCUR | PRODUCT DESCRIPTION Round Duplex Optical Cable, 62.5/125 OM1, LSZH Rated, 2.0mm |
| | SIZE A | CAGE CODE 43321 | ITEM NO. FOB-2F2DM1Z-M |
| | SCALE: NONE | CAD FILE: FOB-2F2DM1Z-M.SLDDRW | SHEET 1 OF 1 |