

THE INFORMATION CONTAINED IN THIS DRAWING IS THE SOLE PROPERTY OF L-COM, INC. ANY REPRODUCTION IN PART OR WHOLE WITHOUT THE WRITTEN PERMISSION OF L-COM, INC. IS PROHIBITED.

REVISIONS			
REV	DESCRIPTION	DATE	APPROVED
A	INITIAL RELEASE	05/18/2022	PHOSPODAR

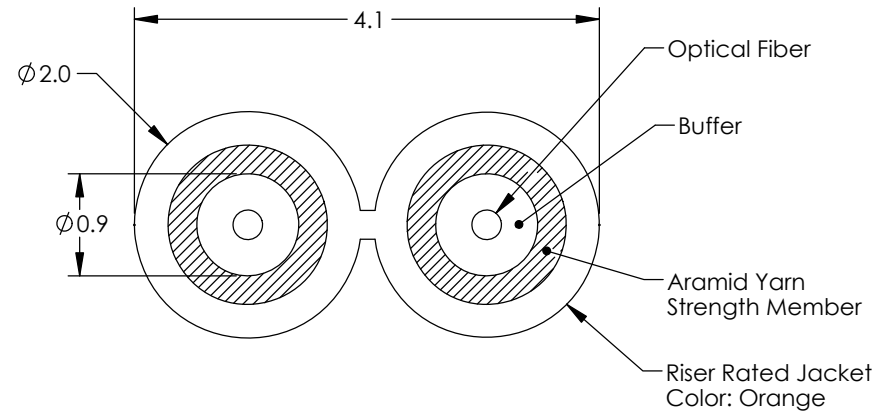
FIBER TYPE	MULTIMODE, OM1, DUPLEX, RISER
CORE DIAMETER	62.5 μ m
CLADDING DIAMETER	125 μ m
BUFFER	0.87 \pm 0.05

WAVELENGTH:	850/1300nm FIBER TYPE	850/1300nm MAXIMUM
ATTENUATION	3.0/1.0 dB/km	3.5/1.5 dB/km
OFL BANDWIDTH (MHz.km)	\geq 200/500	

MAX. TENSILE STRENGTH (N)	
SHORT TERM	150
LONG TERM	70

MIN. BEND RADIUS (mm)	
DYNAMIC	20X DIA.
STATIC	10X DIA.

MAX. CRUSH RESISTANCE (N/100mm)	
SHORT TERM	300
LONG TERM	100




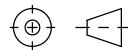
ALL DIMENSIONS IN mm, DRAWING NOT TO SCALE

NOTES:

- BULK CABLE SHALL BE INDIVIDUALLY PACKAGED IN ACCORDANCE WITH L-COM SPECIFICATION PS-0031.

REGULATORY COMPLIANCE:

EU RoHS DIRECTIVE (MOST RECENT RELEASED VERSION)

UNLESS OTHERWISE SPECIFIED, DIMENSIONS ARE IN INCHES [mm] OVERALL CABLE LENGTH TOLERANCE: ≤12 [305] = +1 [25] / -0 >12 [305] ≤60 [1524] = +2 [51] / -0 >60 [1524] ≤120 [3048] = +4 [102] / -0 >120 [3048] ≤300 [7620] = +6 [152] / -0 >300 [7620] = +5% / -0 ALL OTHER DIMENSIONAL TOLERANCES: .X = ±.2 [5] FRACTIONS ± 1/32 .XX = ±.02 [.5] ANGLES ± 1° .XXX = ±.005 [.13]	APPROVALS	DATE	 50 High Street, West Mill, North Andover, MA 01845 USA. Phone: 1.800.341.5266 1.978.682.6936
	DRAWN BY DFRISIELLO	05/18/2022	
CHECKED BY DZINN	05/18/2022	CATEGORY FIBER OPTIC	
APPROVED BY PHOSPODAR	05/18/2022	PRODUCT DESCRIPTION Round Duplex Optical Cable, 62.5/125 OM1, Riser Rated, 2.0mm	
THIRD-ANGLE PROJECTION 	CONFIGURATION DETAILS OF UNDIMENSIONED FEATURES MAY VARY	SIZE A	CAGE CODE 43321
COLOR VARIATIONS MAY OCCUR	ITEM NO. FOB-2F2DM1R-M	SCALE: NONE	CAD FILE: FOB-2F2DM1R-M.SLDDRW
		SHEET 1 OF 1	