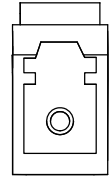
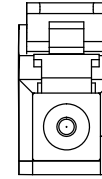
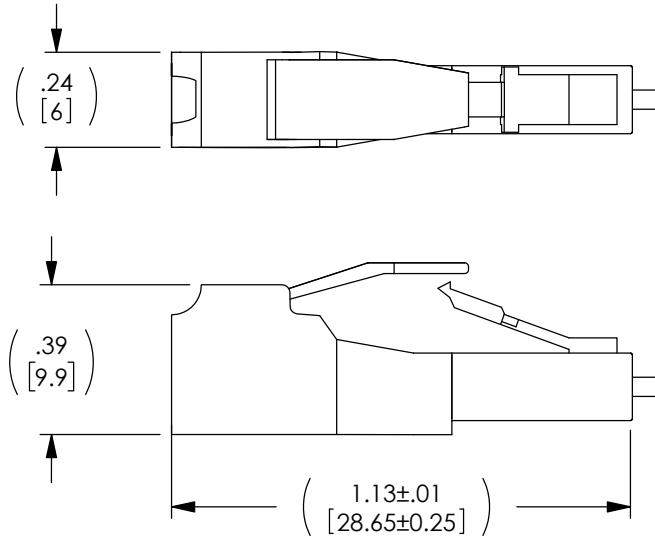


THE INFORMATION CONTAINED IN THIS DRAWING IS THE SOLE PROPERTY OF L-COM, INC. ANY REPRODUCTION IN PART OR WHOLE WITHOUT THE WRITTEN PERMISSION OF L-COM, INC. IS PROHIBITED.

REVISIONS			
REV	DESCRIPTION	DATE	APPROVED
1	INITIAL RELEASE	11/12/2020	PHOSPODAR



LC JACK



LC PLUG

MODEL	ATTENUATION	BACK REFLECTION
FOATLCU-01D	1dB	≤ -60dB
FOATLCU-02D	2dB	≤ -60dB
FOATLCU-03D	3dB	≤ -60dB
FOATLCU-07D	7dB	≤ -60dB
FOATLCU-12D	12dB	≤ -60dB
FOATLCU-18D	18dB	≤ -60dB

**NOTES:**

- ATTENUATOR UTILIZES "APC" POLISH.
- OPERATING TEMPERATURE RANGE: -40° C TO +75° C.
- SINGLE MODE WAVELENGTH RANGE: 1310-1550 nm.
- ATTENUATOR IS PACKAGED TWO WITH DUST CAPS INSTALLED (NOT SHOWN).
- ATTENUATOR SHALL BE INDIVIDUALLY PACKAGED IN ACCORDANCE WITH L-COM SPECIFICATION PS-0031.

UNLESS OTHERWISE SPECIFIED, DIMENSIONS ARE IN INCHES [mm] OVERALL CABLE LENGTH TOLERANCE: ≤12 [305] = +1 [25] / -0 >12 [305] ≤60 [1524] = +2 [51] / -0 >60 [1524] ≤120 [3048] = +4 [102] / -0 >120 [3048] ≤300 [7620] = +6 [152] / -0 >300 [7620] = +5% / -0 ALL OTHER DIMENSIONAL TOLERANCES: .X = ± .2 [5]      FRACTIONS ± 1/32 .XX = ± .02 [5]      ANGLES ± 1° .XXX = ± .005 [13]	APPROVALS DRAWN BY DFRISIELLO CHECKED BY PHOSPODAR APPROVED BY PHOSPODAR	DATE 11/12/2020 11/12/2020 11/12/2020	50 High Street, West Mill, North Andover, MA 01845 USA. Phone: 1.800.341.5266 1.978.682.6936	
	THIRD-ANGLE PROJECTION 	CONFIGURATION DETAILS OF UNDIMENSIONED FEATURES MAY VARY COLOR VARIATIONS MAY OCCUR		CATEGORY <b>FIBER OPTICS</b>
SIZE <b>A</b>		CAGE CODE <b>43321</b>	ITEM NO. <b>FOATLCA</b>	REV. <b>A</b>
SCALE: NONE		CAD FILE: FOATLCA.SLDDRW		SHEET 1 OF 1