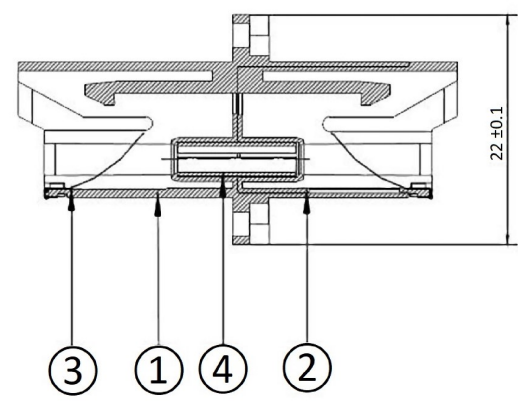
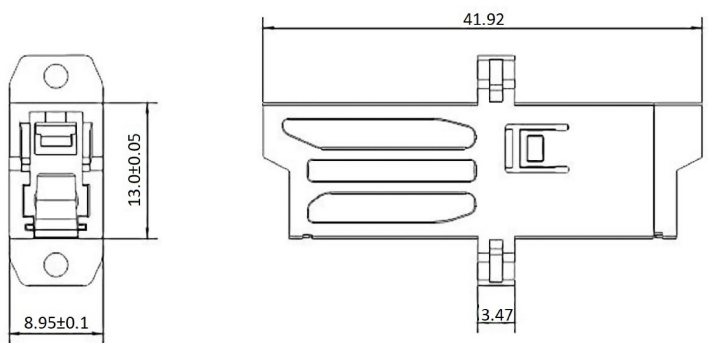
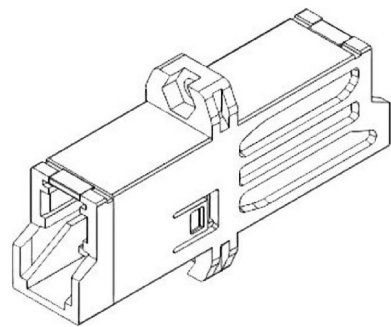


THE INFORMATION CONTAINED IN THIS DRAWING IS THE SOLE PROPERTY OF L-COM, INC. ANY REPRODUCTION IN PART OR WHOLE WITHOUT THE WRITTEN PERMISSION OF L-COM, INC. IS PROHIBITED.

REVISIONS			
REV	DESCRIPTION	DATE	APPROVED
A	INITIAL RELEASE	08-02-2021	PHOSPODAR



E2000 SIMPLEX ADAPTOR UPC GREEN

ITEM NUMBER	DESCRIPTION	MATERIAL
1	HOUSING	PBT
2	INNER CORE	PBT
3	SHRAPNEL	SUS304
4	FERRULE	CERAMICS

<p>UNLESS OTHERWISE SPECIFIED, DIMENSIONS ARE IN INCHES [mm]</p> <p>OVERALL CABLE LENGTH TOLERANCE:          ≤12 [305] = +1 [25] / -0          &gt;12 [305] ≤60 [1524] = +2 [51] / -0          &gt;60 [1524] ≤120 [3048] = +4 [102] / -0          &gt;120 [3048] ≤300 [7620] = +6 [152] / -0          &gt;300 [7620] = +5% / -0</p> <p>ALL OTHER DIMENSIONAL TOLERANCES:          .X = ± .2 [5]   FRACTIONS ± 1/32          .XX = ± .02 [.5]   ANGLES ± 1°          .XXX = ± .005 [.13]</p> <p>THIRD-ANGLE PROJECTION</p>	<p>APPROVALS</p> <p>DRAWN BY: MVEERAPPAN</p> <p>CHECKED BY: GIBACETA</p> <p>APPROVED BY: PHOSPODAR</p>	<p>DATE</p> <p>08-02-2021</p> <p>08-02-2021</p> <p>08-02-2021</p>	<p>50 High Street, West Mill, North Andover, MA 01845 USA. Phone: 1.800.341.5266 1.978.682.6936</p>
	<p>CONFIGURATION DETAILS OF UNDIMENSIONED FEATURES MAY VARY</p> <p>COLOR VARIATIONS MAY OCCUR</p>	<p>CATEGORY</p> <p><b>FIBER OPTICS</b></p>	<p>PRODUCT DESCRIPTION</p> <p><b>E2000 Simplex Adaptor UPC Green</b></p>
<p>SIZE <b>A</b></p> <p>CAGE CODE <b>43321</b></p> <p>ITEM NO. <b>FOAE2KUPCG</b></p> <p>REV. <b>A</b></p>			