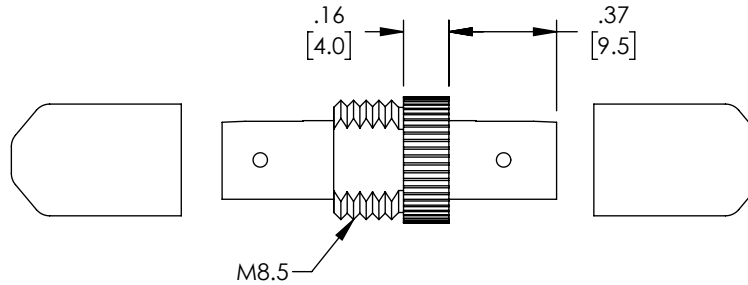
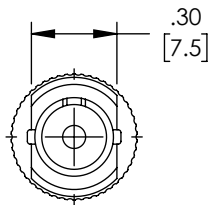
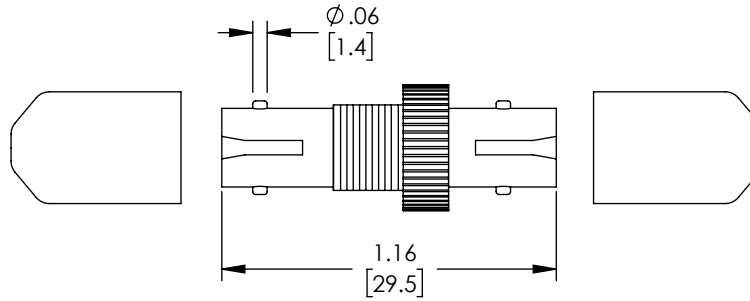
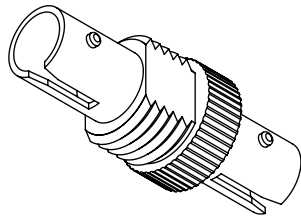


THE INFORMATION CONTAINED IN THIS DRAWING IS THE SOLE PROPERTY OF L-COM, INC. ANY REPRODUCTION IN PART OR WHOLE WITHOUT THE WRITTEN PERMISSION OF L-COM, INC. IS PROHIBITED.

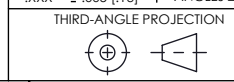
REVISIONS			
REV	DESCRIPTION	DATE	APPROVED
A	INITIAL RELEASE	8/20/21	PHOSPODAR



UNLESS OTHERWISE SPECIFIED, DIMENSIONS ARE IN INCHES [mm]

OVERALL CABLE LENGTH TOLERANCE:
 ≤12 [305] = +1 [25] / -0
 >12 [305] ≤60 [1524] = +2 [51] / -0
 >60 [1524] ≤120 [3048] = +4 [102] / -0
 >120 [3048] ≤300 [7620] = +6 [152] / -0
 >300 [7620] = +5% / -0

ALL OTHER DIMENSIONAL TOLERANCES:
 .X = ± .2 [5] | FRACTIONS ± 1/32
 .XX = ± .02 [5] | ANGLES ± 1°
 .XXX = ± .005 [13]



APPROVALS	DATE
DRAWN BY DMAY	08/12/2021
CHECKED BY PHOSPODAR	8/20/21
APPROVED BY PHOSPODAR	8/20/21

L-com
an INFINITO brand

50 High Street, West Mill,
North Andover, MA 01845 USA.
Phone: 1.800.341.5266
1.978.682.6936

CATEGORY: **FIBER OPTICS**

PRODUCT DESCRIPTION:
**FIBER OPTIC ECONOMY COUPLER, ST,
 SIMPLEX SMF, ZINC ALLOY BODY CERAMIC SLEEVE**

SIZE	CAGE CODE	ITEM NO.	REV.
A	43321	FOA-STSM1-MC00	A

SCALE: NONE | CAD FILE: FOA-STSM1-MC00.SLDDRW | SHEET 1 OF 1

REGULATORY COMPLIANCE:
 EU RoHS DIRECTIVE (MOST RECENT RELEASED VERSION)