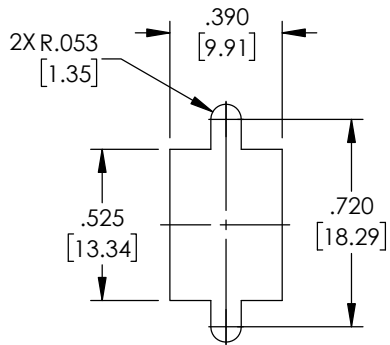
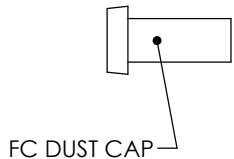
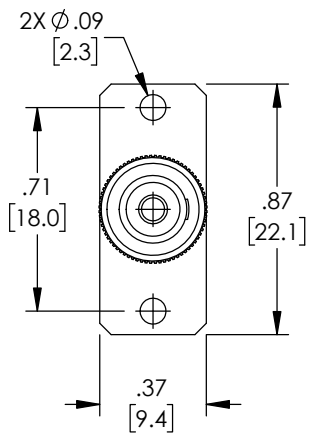


THE INFORMATION CONTAINED IN THIS DRAWING IS THE SOLE PROPERTY OF L-COM, INC. ANY REPRODUCTION IN PART OR WHOLE WITHOUT THE WRITTEN PERMISSION OF L-COM, INC. IS PROHIBITED.

REVISIONS			
REV	DESCRIPTION	DATE	APPROVED
A	INITIAL RELEASE	08/10/2020	PHOSPODAR

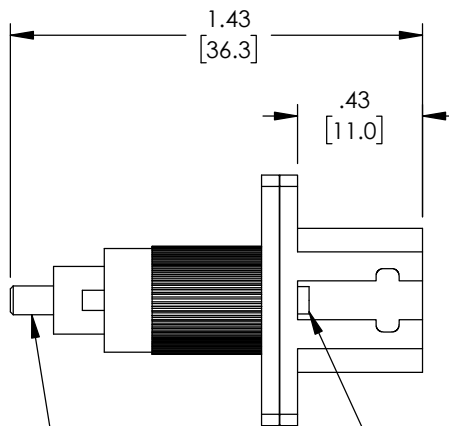


RECOMMENDED PANEL CUTOUT



FC DUST CAP

FC CONNECTOR



LC CONNECTOR



LC DUST CAP

NOTES:

MATERIALS:


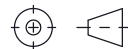
HOUSING: DIE-CAST ZINC, NICKEL PLATED
SLEEVE: ZIRCONIA

MALE FC CONNECTOR ASSEMBLY POLISH TYPE: PC
FEMALE LC CONNECTOR ASSEMBLY POLISH TYPE: PC

ALL DIMENSIONS ARE FOR REFERENCE ONLY.

ALL CONNECTORS ACCOMPANIED WITH A DUST CAP INSTALLED.

COMPONENT SHALL BE INDIVIDUALLY PACKAGED IN ACCORDANCE WITH L-COM SPECIFICATION PS-0031.

UNLESS OTHERWISE SPECIFIED, DIMENSIONS ARE IN INCHES [mm] OVERALL CABLE LENGTH TOLERANCE: ≤12 [305] = +1 [25] / -0 >12 [305] ≤60 [1524] = +2 [51] / -0 >60 [1524] ≤120 [3048] = +4 [102] / -0 >120 [3048] ≤300 [7620] = +6 [152] / -0 >300 [7620] = +5% / -0 ALL OTHER DIMENSIONAL TOLERANCES: .X = ±.2 [5] FRACTIONS ± 1/32 .XX = ±.02 [.5] ANGLES ± 1° .XXX = ±.005 [.13]	APPROVALS	DATE	 50 High Street, West Mill, North Andover, MA 01845 USA. Phone: 1.800.341.5266 1.978.682.6936
	DRAWN BY DFRISIELLO CHECKED BY PHOSPODAR APPROVED BY PHOSPODAR	08/03/2020 08/10/2020 08/10/2020	
THIRD-ANGLE PROJECTION 	CONFIGURATION DETAILS OF UNDIMENSIONED FEATURES MAY VARY COLOR VARIATIONS MAY OCCUR	PRODUCT DESCRIPTION FC Male to LC Female Single Mode Hybrid Fiber Adapter	SCALE: NONE CAD FILE: FOA-SM-FCMLCF.SLDDRW SHEET 1 OF 1
SIZE A CAGE CODE 43321 ITEM NO. FOA-SM-FCMLCF		REV. A	