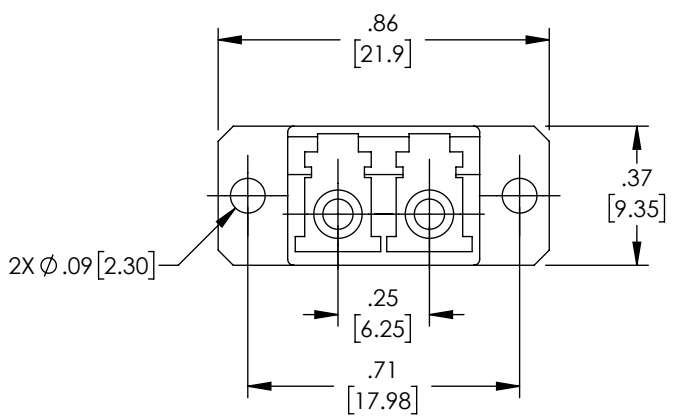
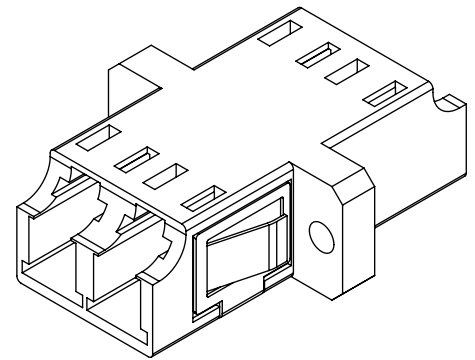
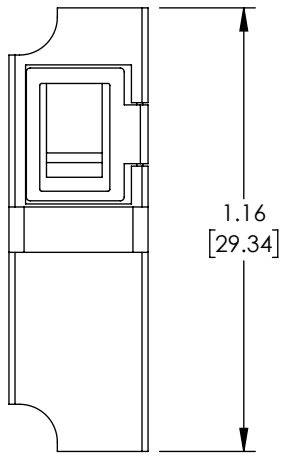
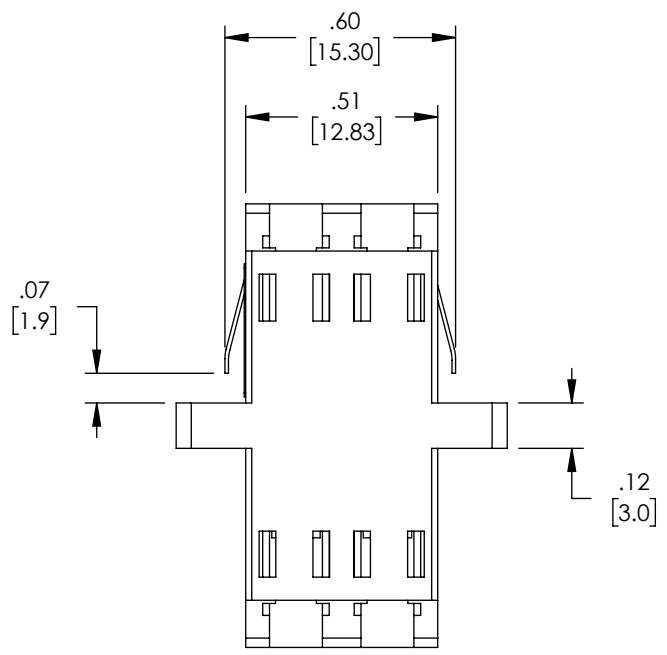

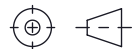


THE INFORMATION CONTAINED IN THIS DRAWING IS THE SOLE PROPERTY OF L-COM, INC. ANY REPRODUCTION IN PART OR WHOLE WITHOUT THE WRITTEN PERMISSION OF L-COM, INC. IS PROHIBITED.

REVISIONS			
REV	DESCRIPTION	DATE	APPROVED
A	INITIAL RELEASE	8/20/21	PHOSPODAR



**REGULATORY COMPLIANCE:**  
EU RoHS DIRECTIVE (MOST RECENT RELEASED VERSION)

UNLESS OTHERWISE SPECIFIED, DIMENSIONS ARE IN INCHES [mm] OVERALL CABLE LENGTH TOLERANCE: ≤12 [305] = +1 [25] / -0 >12 [305] ≤60 [1524] = +2 [51] / -0 >60 [1524] ≤120 [3048] = +4 [102] / -0 >120 [3048] ≤300 [7620] = +6 [152] / -0 >300 [7620] = +5% / -0 ALL OTHER DIMENSIONAL TOLERANCES: .X = ±.2 [5]      FRACTIONS ± 1/32 .XX = ±.02 [5]      ANGLES ± 1° .XXX = ±.005 [1.3]	APPROVALS	DATE	 50 High Street, West Mill, North Andover, MA 01845 USA. Phone: 1.800.341.5266 1.978.682.6936		
	DRAWN BY DMAY	08/11/2021		CATEGORY <b>FIBER OPTICS</b>	
	CHECKED BY PHOSPODAR	8/20/21			
APPROVED BY PHOSPODAR	8/20/21	PRODUCT DESCRIPTION <b>FIBER OPTIC ECONOMY COUPLER, LC,          DUPLEX MMF BEIGE, PLASTIC ONE-PIECE BODY</b>			
THIRD-ANGLE PROJECTION 	COLOR VARIATIONS MAY OCCUR	SIZE <b>A</b>	CAGE CODE <b>43321</b>	ITEM NO. <b>FOA-LCM12-PCUF</b>	REV. <b>A</b>
SCALE: NONE		CAD FILE: FOA-LCM12-PCUF.SLDDRW		SHEET 1 OF 1	