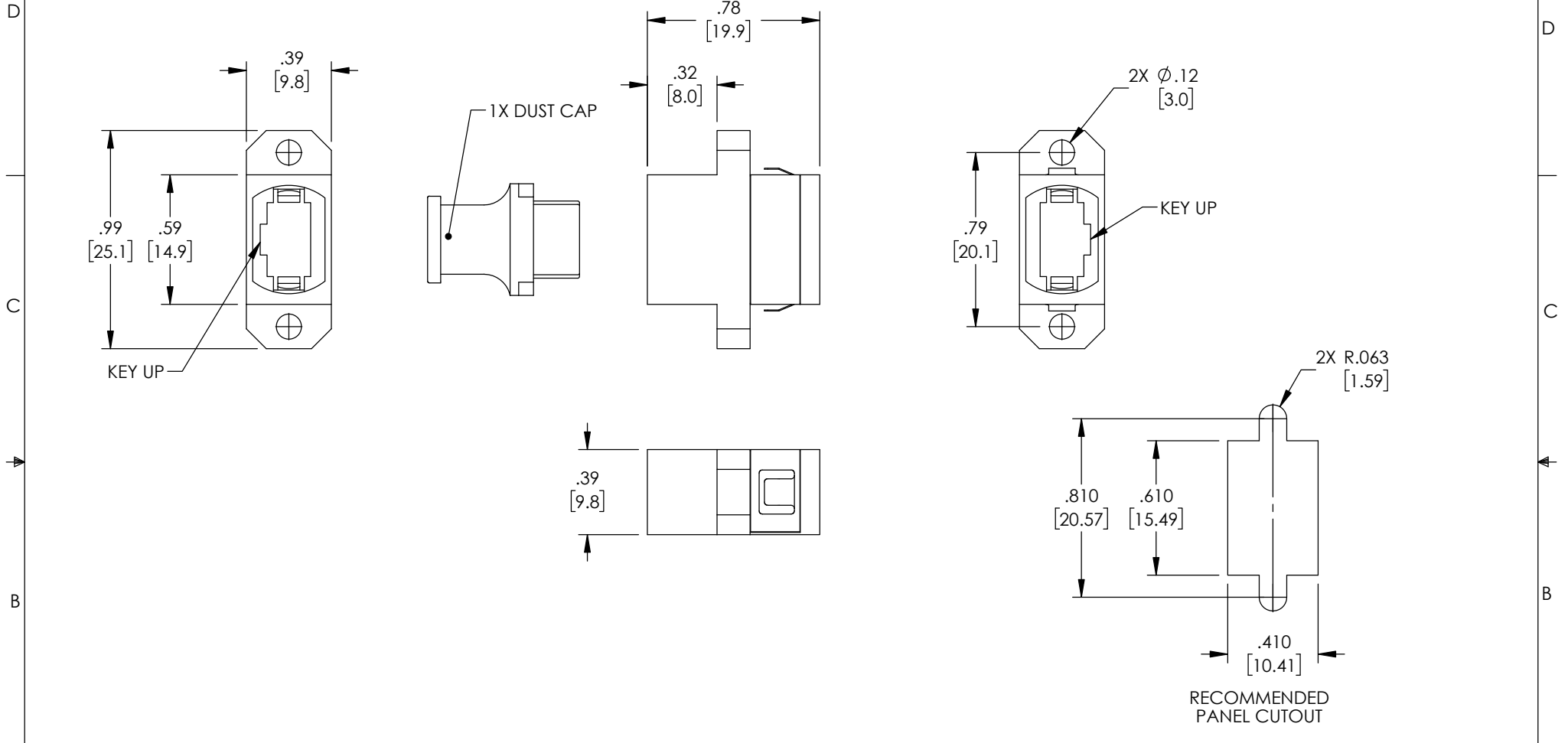


THE INFORMATION CONTAINED IN THIS DRAWING IS THE SOLE PROPERTY OF L-COM, INC. ANY REPRODUCTION IN PART OR WHOLE WITHOUT THE WRITTEN PERMISSION OF L-COM, INC. IS PROHIBITED.

| REVISIONS |                 |            |           |
|-----------|-----------------|------------|-----------|
| REV       | DESCRIPTION     | DATE       | APPROVED  |
| A         | INITIAL RELEASE | 08/10/2020 | PHOSPODAR |
|           |                 |            |           |
|           |                 |            |           |




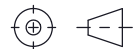
NOTES:

MATERIALS:  
 BODY: ABS THERMOPLASTIC, BEIGE  
 DUST CAP: ENGINEERING PLASTIC, GRAY  
 MOUNTING CLIPS: STAINLESS STEEL

RECOMMENDED PANEL THICKNESS: .06" [1.5]

ALL DIMENSIONS ARE FOR REFERENCE ONLY.

COMPONENT SHALL BE INDIVIDUALLY PACKAGED IN ACCORDANCE WITH L-COM SPECIFICATION PS-0031.

|                                                                                                                                                                                                                                                                                                                                                                                                                |                                                          |                                                                                                        |                                                                                                                                                                                             |
|----------------------------------------------------------------------------------------------------------------------------------------------------------------------------------------------------------------------------------------------------------------------------------------------------------------------------------------------------------------------------------------------------------------|----------------------------------------------------------|--------------------------------------------------------------------------------------------------------|---------------------------------------------------------------------------------------------------------------------------------------------------------------------------------------------|
| UNLESS OTHERWISE SPECIFIED, DIMENSIONS ARE IN INCHES [mm]<br>OVERALL CABLE LENGTH TOLERANCE:<br>≤12 [305] = +1 [25] / -0<br>>12 [305] ≤60 [1524] = +2 [51] / -0<br>>60 [1524] ≤120 [3048] = +4 [102] / -0<br>>120 [3048] ≤300 [7620] = +6 [152] / -0<br>>300 [7620] = +5% / -0<br>ALL OTHER DIMENSIONAL TOLERANCES:<br>.X = ± .2 [5]   FRACTIONS ± 1/32<br>.XX = ± .02 [5]   ANGLES ± 1°<br>.XXX = ± .005 [13] | APPROVALS                                                | DATE                                                                                                   |  50 High Street, West Mill,<br>North Andover, MA 01845 USA.<br>Phone: 1.800.341.5266<br>1.978.682.6936 |
|                                                                                                                                                                                                                                                                                                                                                                                                                | DRAWN BY<br>DFRISIELLO                                   | 07/17/2020                                                                                             |                                                                                                                                                                                             |
| CHECKED BY<br>PHOSPODAR                                                                                                                                                                                                                                                                                                                                                                                        | 08/10/2020                                               | PRODUCT DESCRIPTION<br><b>MPO/MTP Adapter, Full Flange, with 1 Dust Cap, Key Up to Key Up (Type B)</b> |                                                                                                                                                                                             |
| APPROVED BY<br>PHOSPODAR                                                                                                                                                                                                                                                                                                                                                                                       | 08/10/2020                                               |                                                                                                        | SIZE <b>A</b>   CAGE CODE <b>43321</b>   ITEM NO. <b>FOA-992B</b>   REV. <b>A</b>                                                                                                           |
| THIRD-ANGLE PROJECTION<br>                                                                                                                                                                                                                                                                                                | CONFIGURATION DETAILS OF UNDIMENSIONED FEATURES MAY VARY | COLOR VARIATIONS MAY OCCUR                                                                             | SCALE: NONE   CAD FILE: FOA-992B.SLDDRW   SHEET 1 OF 1                                                                                                                                      |