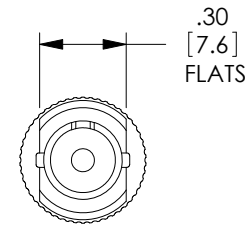
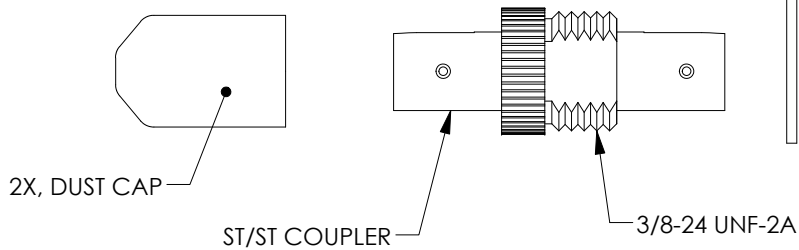
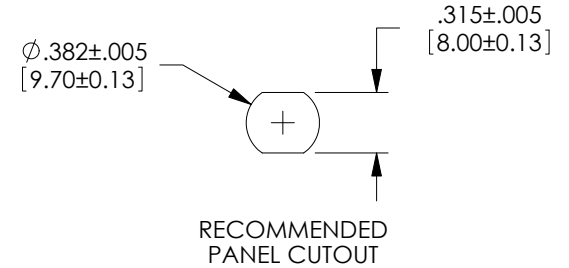
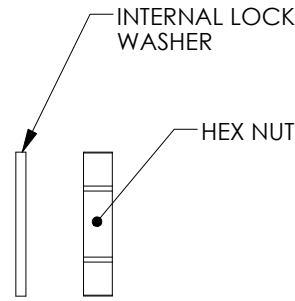
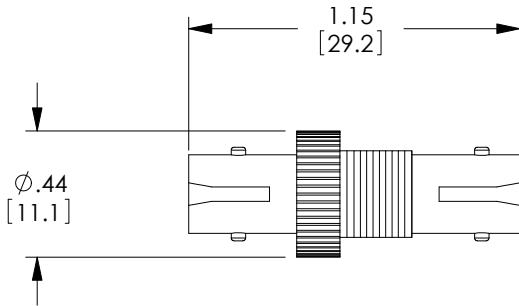


THE INFORMATION CONTAINED IN THIS DRAWING IS THE SOLE PROPERTY OF L-COM, INC. ANY REPRODUCTION IN PART OR WHOLE WITHOUT THE WRITTEN PERMISSION OF L-COM, INC. IS PROHIBITED.

REVISIONS			
REV	DESCRIPTION	DATE	APPROVED
A	INITIAL RELEASE	08/07/2020	PHOSPODAR



**NOTES:**

MATERIAL:  
 SLEEVE: ZIRCONIA  
 BODY: BRASS, NICKEL PLATED  
 DUST CAP: VINYL, RED

RECOMMENDED PANEL THICKNESS: .06" [1.5]

ALL DIMENSIONS ARE FOR REFERENCE ONLY.

COMPONENT SHALL BE INDIVIDUALLY PACKAGED IN ACCORDANCE WITH L-COM SPECIFICATION PS-0031.

UNLESS OTHERWISE SPECIFIED, DIMENSIONS ARE IN INCHES [mm]	APPROVALS	DATE
OVERALL CABLE LENGTH TOLERANCE: ≤12 [305] = +1 [25] / -0 >12 [305] ≤60 [1524] = +2 [51] / -0 >60 [1524] ≤120 [3048] = +4 [102] / -0 >120 [3048] ≤300 [7620] = +6 [152] / -0 >300 [7620] = +5% / -0	DRAWN BY DFRISIELLO	06/29/2020
ALL OTHER DIMENSIONAL TOLERANCES: .X = ± .2 [5]   FRACTIONS ± 1/32 .XX = ± .02 [.5]   ANGLES ± 1° .XXX = ± .005 [.13]	CHECKED BY PHOSPODAR	08/07/2020
THIRD-ANGLE PROJECTION	APPROVED BY PHOSPODAR	08/07/2020
	CONFIGURATION DETAILS OF UNDIMENSIONED FEATURES MAY VARY	
	COLOR VARIATIONS MAY OCCUR	

 an INFINIT® brand	50 High Street, West Mill, North Andover, MA 01845 USA. Phone: 1.800.341.5266 1.978.682.6936
CATEGORY <b>FIBER OPTICS</b>	
PRODUCT DESCRIPTION <b>ST Simplex Single Mode Coupler, Metal Body</b>	
SIZE <b>A</b>	CAGE CODE <b>43321</b>
ITEM NO. <b>FOA-952</b>	
SCALE: NONE	CAD FILE: FOA-952.SLDDRW

 an INFINIT® brand	50 High Street, West Mill, North Andover, MA 01845 USA. Phone: 1.800.341.5266 1.978.682.6936
CATEGORY <b>FIBER OPTICS</b>	
PRODUCT DESCRIPTION <b>ST Simplex Single Mode Coupler, Metal Body</b>	
SIZE <b>A</b>	CAGE CODE <b>43321</b>
ITEM NO. <b>FOA-952</b>	
SCALE: NONE	CAD FILE: FOA-952.SLDDRW
SHEET 1 OF 1	