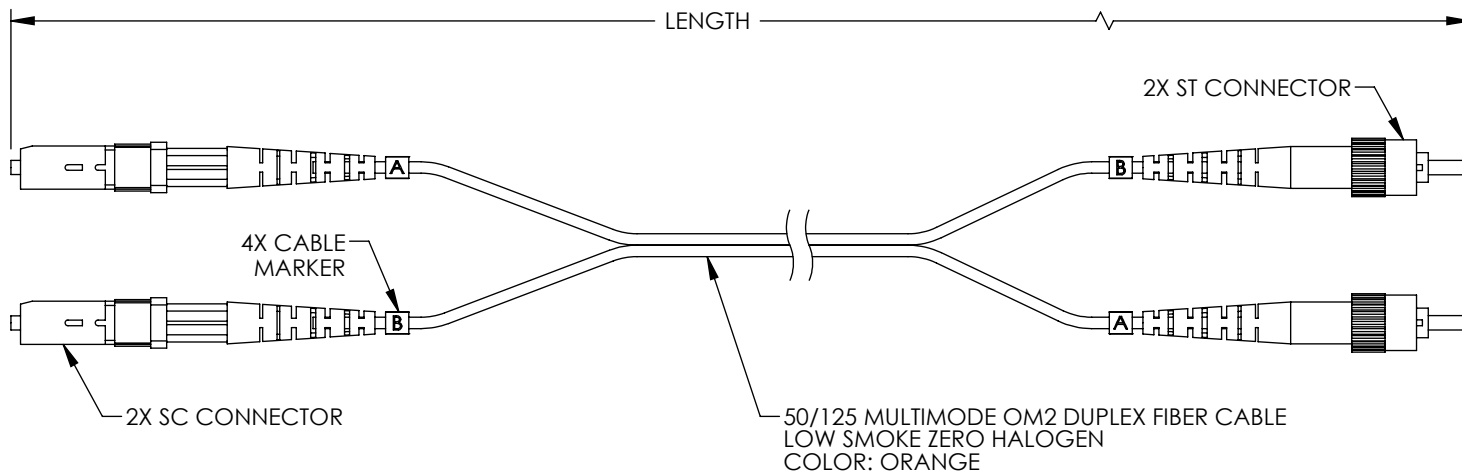


THE INFORMATION CONTAINED IN THIS DRAWING IS THE SOLE PROPERTY OF L-COM, INC. ANY REPRODUCTION IN PART OR WHOLE WITHOUT THE WRITTEN PERMISSION OF L-COM, INC. IS PROHIBITED.

REVISIONS			
REV	DESCRIPTION	DATE	APPROVED
A	INITIAL RELEASE	08/11/2021	PHOSPODAR


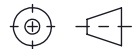


ITEM NO.	LENGTH	
	METER	FEET
FCA-SCST-DPM2Z-01	1.0	3.28
FCA-SCST-DPM2Z-02	2.0	6.56
FCA-SCST-DPM2Z-03	3.0	9.84
FCA-SCST-DPM2Z-05	5.0	16.40
FCA-SCST-DPM2Z-10	10.0	32.81
FCA-SCST-DPM2Z-15	15.0	49.21

NOTES:

1. SC AND ST CONNECTOR POLISH TYPE: UPC.
2. ALL CONNECTORS ACCOMPANIED WITH A DUST CAP INSTALLED (NOT SHOWN).
3. CABLE ASSEMBLY SHALL BE INDIVIDUALLY PACKAGED IN ACCORDANCE WITH L-COM SPECIFICATION PS-0031.

REGULATORY COMPLIANCE:
EU RoHS DIRECTIVE (MOST RECENT RELEASED VERSION)

UNLESS OTHERWISE SPECIFIED, DIMENSIONS ARE IN INCHES [mm] OVERALL CABLE LENGTH TOLERANCE: ≤12 [305] = +1 [25] / -0 >12 [305] ≤60 [1524] = +2 [51] / -0 >60 [1524] ≤120 [3048] = +4 [102] / -0 >120 [3048] ≤300 [7620] = +6 [152] / -0 >300 [7620] = +5% / -0 ALL OTHER DIMENSIONAL TOLERANCES: .X = ± .2 [5] FRACTIONS ± 1/32 .XX = ± .02 [5] ANGLES ± 1° .XXX = ± .005 [13]	APPROVALS DRAWN BY: DZINN CHECKED BY: DFRISIELLO APPROVED BY: PHOSPODAR	DATE 08/11/2021 08/11/2021 08/11/2021	 an INFINITI brand	50 High Street, West Mill, North Andover, MA 01845 USA. Phone: 1.800.341.5266 1.978.682.6936
	THIRD-ANGLE PROJECTION 	CONFIGURATION DETAILS OF UNDIMENSIONED FEATURES MAY VARY COLOR VARIATIONS MAY OCCUR	PRODUCT DESCRIPTION FIBER OPTIC PATCH CABLE SC TO ST DUPLEX 50/125 MULTIMODE OM2 LSZH	CATEGORY FIBER OPTICS
SIZE: A		CAGE CODE: 43321	ITEM NO.: FCA-SCST-DPM2Z	REV.: A