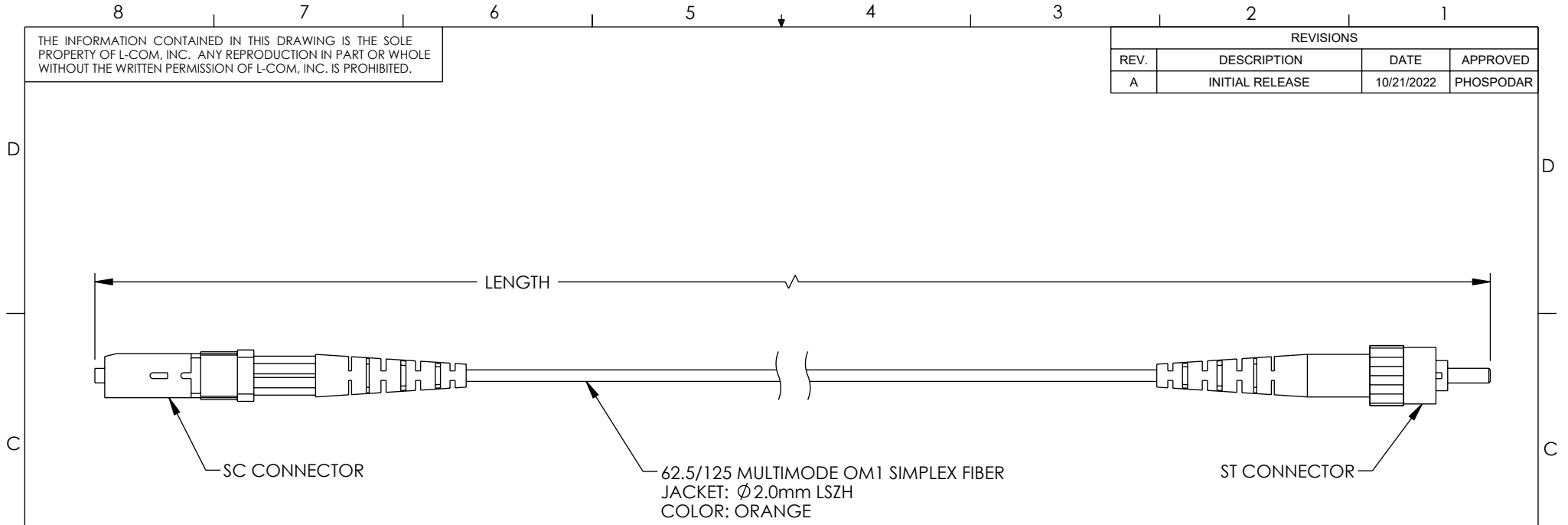


THE INFORMATION CONTAINED IN THIS DRAWING IS THE SOLE PROPERTY OF L-COM, INC. ANY REPRODUCTION IN PART OR WHOLE WITHOUT THE WRITTEN PERMISSION OF L-COM, INC. IS PROHIBITED.

REVISIONS			
REV.	DESCRIPTION	DATE	APPROVED
A	INITIAL RELEASE	10/21/2022	PHOSPODAR




ITEM NUMBER	LENGTH METER [FEET]
FCA-M1SZ-SCST-01M	1.0 [3.28]
FCA-M1SZ-SCST-03M	3.0 [9.84]
FCA-M1SZ-SCST-05M	5.0 [16.40]
FCA-M1SZ-SCST-10M	10.0 [32.81]

NOTES:

1. SC CONNECTOR ASSEMBLY POLISH TYPE: UPC.
ST CONNECTOR ASSEMBLY POLISH TYPE: UPC.
2. ALL CONNECTORS SUPPLIED WITH A DUST CAP INSTALLED, NOT SHOWN.
3. CABLE ASSEMBLY SHALL BE INDIVIDUALLY PACKAGED IAW L-COM SPECIFICATION PS-0031.

UNLESS OTHERWISE SPECIFIED, DIMENSIONS ARE IN INCHES [mm]	
OVERALL CABLE LENGTH TOLERANCE:	
≤12 [305] = +1 [25] / -0	
>12 [305] ≤60 [1524] = +2 [51] / -0	
>60 [1524] ≤120 [3048] = +4 [102] / -0	
>120 [3048] ≤300 [7620] = +6 [152] / -0	
>300 [7620] = +5% / -0	
ALL OTHER DIMENSIONAL TOLERANCES:	
.X = ± .2 [5]	FRACTIONS ± 1/32
.XX = ± .02 [5]	ANGLES ± 1°
.XXX = ± .005 [13]	
THIRD-ANGLE PROJECTION	

APPROVALS	DATE
DRAWN BY DZINN	10/21/2022
CHECKED BY DFRISIELLO	10/21/2022
APPROVED BY JJOHNSTON	10/21/2022

 an INFINITO® brand		50 High Street, West Mill, North Andover, MA 01845 USA. Phone: 1.800.341.5266 1.978.682.6936	
		CATEGORY	FIBER OPTIC
PRODUCT DESCRIPTION			
FIBER PATCH CABLE ASSY, 62.5/125 MULTIMODE, OM1, LSZH, SCU-STU			
SIZE	CAGE CODE	ITEM NO.	REV.
A	43321	FCA-M1SZ-SCST	A
SCALE: NONE		CAD FILE: FCA-M1SZ-SCST.SLDDRW	SHEET 1 OF 1