

6

5

4

3

2

1

## REVISION

ZONE	REV	DESCRIPTION	DATE	CHANGED BY	APPROVED
	A	INITIAL RELEASE	10/23/2023	AKRESOWSKI	PHOSPODAR

F

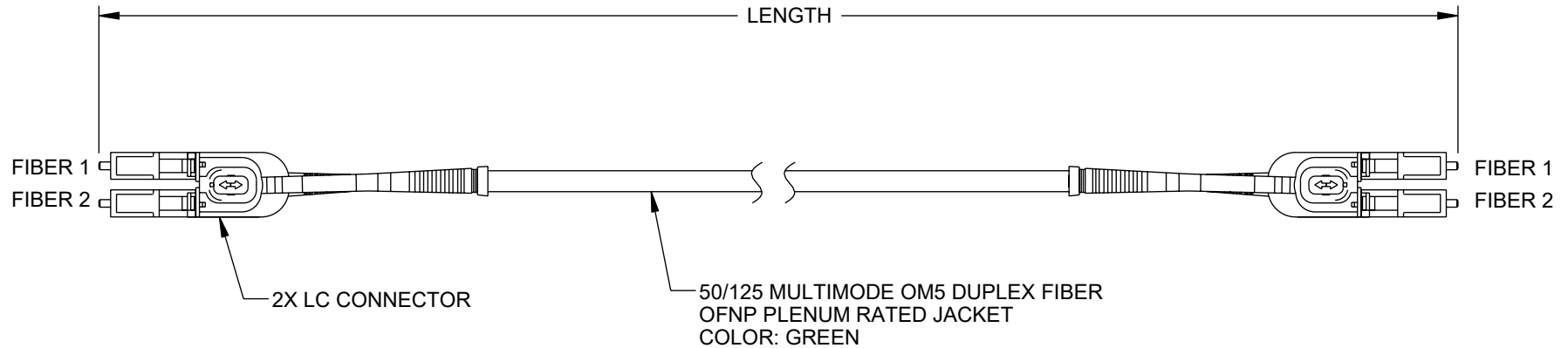
E

D

C

B

A



ITEM NUMBER	LENGTH IN FEET [METERS]
FCA-LCULCU-UBDM5P-01	3.28 [1]
FCA-LCULCU-UBDM5P-03	9.84 [3]
FCA-LCULCU-UBDM5P-05	16.40 [5]
FCA-LCULCU-UBDM5P-10	32.81 [10]

LENGTH (L)	LENGTH TOLERANCE
$L \leq 3.28 \text{ ft [1 m]}$	$+1.97 [50] / -0$
$3.28 \text{ ft [1 m]} < L \leq 32.81 \text{ ft [10 m]}$	$+3.94 [100] / -0$
$L > 32.81 \text{ ft [10 m]}$	$+1\% * L / -0$

## NOTES:

- LC CONNECTOR ASSEMBLY POLISH TYPE: UPC
- CONNECTORS ARE INCLUDED WITH DUST CAPS INSTALLED (NOT SHOWN).
- CABLE ASSEMBLY SHALL BE INDIVIDUALLY PACKAGED IAW L-COM SPECIFICATION PS-0031.

REGULATORY COMPLIANCE:  
EU RoHS DIRECTIVE (MOST RECENT RELEASED VERSION).

THE INFORMATION CONTAINED IN THIS DRAWING IS THE SOLE PROPERTY OF INFINITE ELECTRONICS, INC. ANY REPRODUCTION IN PART OR WHOLE WITHOUT THE WRITTEN PERMISSION OF INFINITE ELECTRONICS, INC. IS PROHIBITED. THESE COMMODITIES, TECHNOLOGY OR SOFTWARE WERE EXPORTED FROM THE UNITED STATES IN ACCORDANCE WITH THE EXPORT ADMINISTRATION REGULATIONS. DIVERSION CONTRARY TO U.S. LAW PROHIBITED.

UNLESS OTHERWISE SPECIFIED  
LEADING DIMENSIONS ARE INCHES  
DIMENSIONS IN [ ] ARE MILLIMETERS

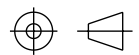
TOLERANCES:  
 .X =  $\pm 0.2 [5]$       FRACTIONS  
 .XX =  $\pm 0.02 [0.5]$        $\pm 1/32$   
 .XXX =  $\pm 0.005 [0.13]$       ANGLES  $\pm 1^\circ$

CABLE LENGTH TOLERANCES:  
 $\leq 12 [305] = +1 [25] / -0$   
 $>12 [305] \leq 60 [1524] = +2 [51] / -0$   
 $>60 [1524] \leq 120 [3048] = +4 [102] / -0$   
 $>120 [3048] \leq 300 [7620] = +6 [152] / -0$   
 $>300 [7620] = +5\% / -0$

ALL DIMENSIONS ARE FOR REFERENCE ONLY  
AND SUBJECT TO CHANGE WITHOUT NOTICE  
UN-DIMENSIONED/NON-CRITICAL FEATURES  
MAY VARY IN SIZE AND LOCATION  
COLORS MAY VARY

**L-com**  
an INFINIT<sup>®</sup> brand

Website: [www.L-com.com](http://www.L-com.com)  
Phone: 1.800.341.5266 | 1.978.682.6936



INTERPRET ALL DIMENSIONS AND  
TOLERANCES PER ASME Y14.5

SCALE	SHEET
NONE	1 OF 1

## DESCRIPTION

FIBER OPTIC UNIBOOT PATCH CABLE LC/UPC-LC/UPC  
UNIBOOT OM5 MULTIMODE FIBER PLENUM JACKET

SIZE	CAGE CODE	DRAWN BY	ITEM NO.	REV
A	43321	AKRESOWSKI	FCA-LCULCU-UBDM5P	A

6

5

4

3

2

1