

6

5

4

3

2

1

REVISION

| ZONE | REV | DESCRIPTION | DATE | CHANGED BY | APPROVED |
|------|-----|-----------------|------------|------------|-----------|
| | A | INITIAL RELEASE | 10/23/2023 | AKRESOWSKI | PHOSPODAR |

F

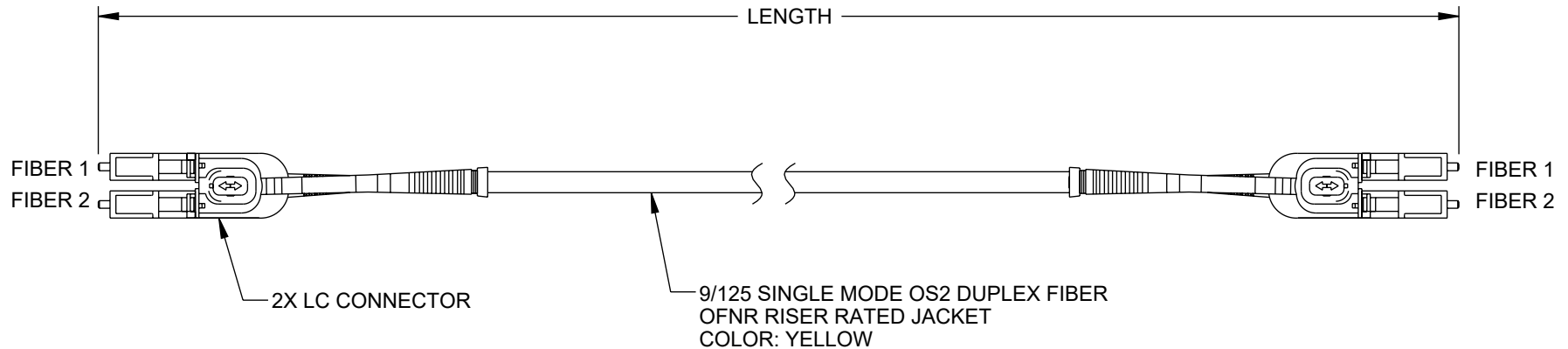
F

E

E

D

D



| ITEM NUMBER | LENGTH IN FEET [METERS] |
|----------------------|-------------------------|
| FCA-LCALCA-UBDS2R-01 | 3.28 [1] |
| FCA-LCALCA-UBDS2R-03 | 9.84 [3] |
| FCA-LCALCA-UBDS2R-05 | 16.40 [5] |
| FCA-LCALCA-UBDS2R-10 | 32.81 [10] |

| LENGTH (L) | LENGTH TOLERANCE |
|--|--------------------|
| $L \leq 3.28 \text{ ft [1 m]}$ | $+1.97 [50] / -0$ |
| $3.28 \text{ ft [1 m]} < L \leq 32.81 \text{ ft [10 m]}$ | $+3.94 [100] / -0$ |
| $L > 32.81 \text{ ft [10 m]}$ | $+1\% * L / -0$ |

NOTES:

- LC CONNECTOR ASSEMBLY POLISH TYPE: APC 8°
- CONNECTORS ARE INCLUDED WITH DUST CAPS INSTALLED (NOT SHOWN).
- CABLE ASSEMBLY SHALL BE INDIVIDUALLY PACKAGED IAW L-COM SPECIFICATION PS-0031.

REGULATORY COMPLIANCE:
EU RoHS DIRECTIVE (MOST RECENT RELEASED VERSION).

THE INFORMATION CONTAINED IN THIS DRAWING IS THE SOLE PROPERTY OF INFINITE ELECTRONICS, INC. ANY REPRODUCTION IN PART OR WHOLE WITHOUT THE WRITTEN PERMISSION OF INFINITE ELECTRONICS, INC. IS PROHIBITED. THESE COMMODITIES, TECHNOLOGY OR SOFTWARE WERE EXPORTED FROM THE UNITED STATES IN ACCORDANCE WITH THE EXPORT ADMINISTRATION REGULATIONS. DIVERSION CONTRARY TO U.S. LAW PROHIBITED.

UNLESS OTHERWISE SPECIFIED
LEADING DIMENSIONS ARE INCHES
DIMENSIONS IN [] ARE MILLIMETERS

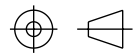
TOLERANCES:
X = ±.2 [5] FRACTIONS
XX = ±.02 [0.5] ± 1/32
.XXX = ±.005 [0.13] ANGLES ± 1°

CABLE LENGTH TOLERANCES:
≤12 [305] = +1 [25] / -0
>12 [305] ≤ 60 [1524] = +2 [51] / -0
>60 [1524] ≤ 120 [3048] = +4 [102] / -0
>120 [3048] ≤ 300 [7620] = +6 [152] / -0
>300 [7620] = +5% / -0

ALL DIMENSIONS ARE FOR REFERENCE ONLY
AND SUBJECT TO CHANGE WITHOUT NOTICE
UN-DIMENSIONED/NON-CRITICAL FEATURES
MAY VARY IN SIZE AND LOCATION
COLORS MAY VARY

L-com
an INFINIT® brand

Website: www.L-com.com
Phone: 1.800.341.5266 | 1.978.682.6936



INTERPRET ALL DIMENSIONS AND
TOLERANCES PER ASME Y14.5

| | |
|-------|--------|
| SCALE | SHEET |
| NONE | 1 OF 1 |

DESCRIPTION
FIBER OPTIC UNIBOOT PATCH CABLE LC/APC-LC/APC UNIBOOT
OS2 SINGLE MODE FIBER RISER RATED JACKET

| SIZE | CAGE CODE | DRAWN BY | ITEM NO. | REV |
|------|-----------|------------|-------------------|-----|
| A | 43321 | AKRESOWSKI | FCA-LCALCA-UBDS2R | A |

A

A

6

5

4

3

2

1