

Splitter Distribution Box 24 Ports with SC/APC Adapter without Pigtails



ECFDB-0324-SCA

Features

- 24 Simplex SC/APC Couplers pre-installed
- Cable Management Tray designed to securely and safely hold your fiber strands
- Waterproof IP65 design with gasket seal and secure lid latch
- Integrated mounting holes for securing to any flat surface
- Hose clamp kit included for pole mounting

Applications

- FTTH Access Networks
- Telecommunication Networks
- CATV Networks
- Data Communications Networks
- Local Area Networks

Description

Indoor/Outdoor Wall Mounted, Single Door Fiber Distribution box is ideal for end terminations of fiber optic runs in residential or commercial buildings. Integral gasket seal provides IP65 level of protection. The ECFDB-0324-SC comes with 24 Simplex SC/APC Coupler Ports installed (pigtails sold separately)

Mechanical Specifications

Size

Outer Height	13.2 in	[335.28 mm]
Outer Width	11.6 in	[294.64 mm]
Outer Depth	4.6 in	[116.84 mm]
Weight	4.7 lbs	[2.13 kg]
Enclosure Material	ABS Plastic + Polycarbonate	

Environmental Specifications

Operating Temperature	-40 to 60 deg C
Body Material and Plating	ABS Plastic + Polycarbonate

Splitter Distribution Box 24 Ports with SC/APC Adapter without Pigtails from Show Me Cables has same day shipment for domestic and International orders. Click the following link (or enter part number in "SEARCH" on website) to obtain additional part information including price, inventory and certifications.

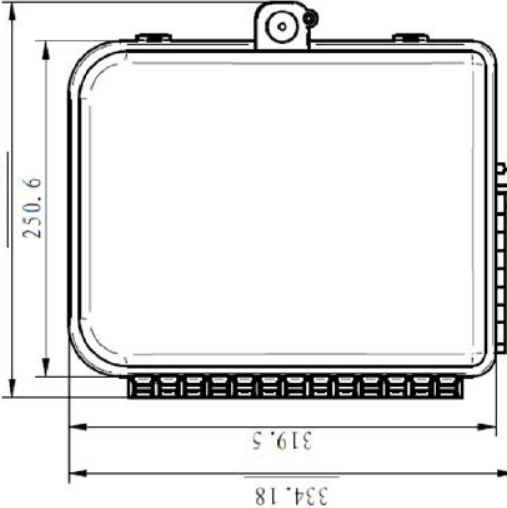
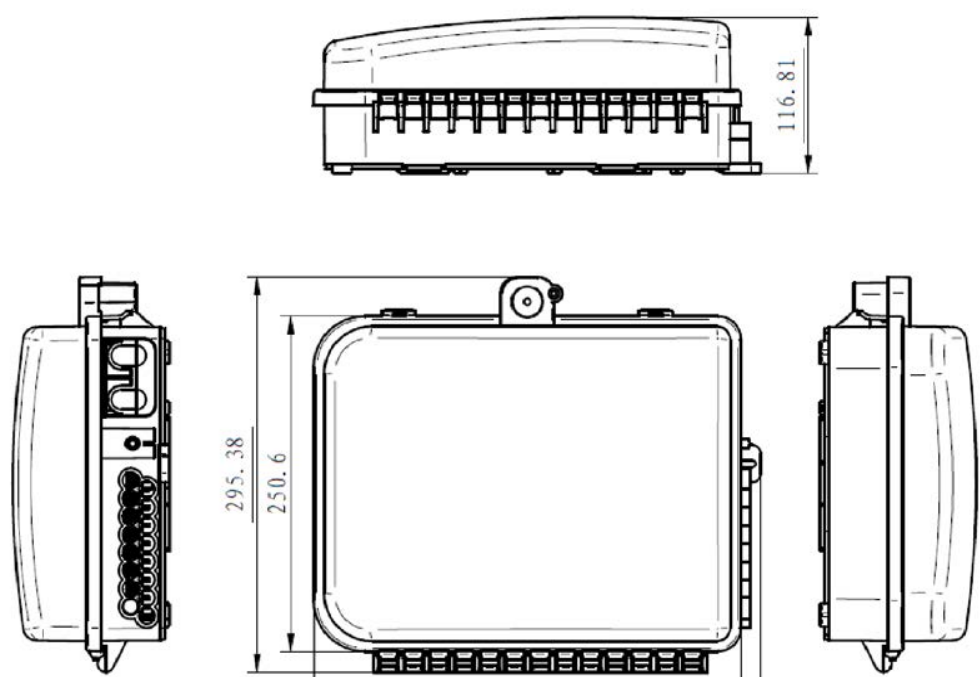
URL: <https://www.showmecables.com/ECFDB-0324-SCA-p.aspx>

The information contained within this document is accurate to the best of our knowledge and representative of the part described herein. It may be necessary to make modifications to the part and/or the documentation of the part in order to implement improvements. Show Me Cables reserves the right to make such changes as required. Unless otherwise stated, all specifications are nominal. Show Me Cables does not make any representation or warranty regarding the suitability of the part described herein for any particular purpose, and Show Me Cables does not assume liability arising out of the use of any part or document.

Splitter Distribution Box 24 Ports with SC/APC Adapter without Pigtails

ECFDB-0324-SCA CAD Drawing

REVISIONS			
REV.	DESCRIPTION	DATE	APPROVED
A	INITIAL RELEASE	01/14/2021	TOZA

UNLESS OTHERWISE SPECIFIED, LEADING DIMENSIONS ARE IN INCHES. DIMENSIONS IN [] ARE MILLIMETERS.

TOLERANCES:

X = ± 0.2	[0.08]	FRACTIONS
XX = ± 0.02	[.03]	± 1/32
XXX = ± 0.005	[.015]	ANGLES ± 1°

CABLE LENGTH (L) TOLERANCES:

L ≤ 12 [305]	± 1 [25] / -0
12 [305] < L ≤ 60 [1524]	± 1 [51] / -0
60 [1524] < L ≤ 120 [3048]	± 1 [51] / -0
120 [3048] < L ≤ 300 [7620]	± 1 [51] / -0
300 [7620] < L	± 5/16 [7.62] / -0

THIRD ANGLE PROJECTION

THE INFORMATION AND DESIGN IN THIS DOCUMENT IS THE PROPERTY OF SHOWME CABLES, INC. ALL RIGHTS RESERVED.

SHEET 1 OF 1

SCALE N/A

REV A

ALL DIMENSIONS SHOWN ARE FOR REFERENCE ONLY.

THESE COMMODITIES, TECHNOLOGY OR SOFTWARE WERE EXPORTED FROM THE UNITED STATES IN ACCORDANCE WITH THE EXPORT ADMINISTRATION REGULATIONS. DIVERSION CONTRARY TO U.S. LAW PROHIBITED.

Show Me
CABLES

an **INFINITE** brand
115 Chesterfield Industrial Blvd.,
Chesterfield, MO 63005
Phone: 1.888.519.9515
Website: www.ShowMeCables.com
E-mail: CustomerService@ShowMeCables.com

ITEM NO. ECFDB-0324-SCA

REV A

SIZE A

CAGE CODE 3SVT8

DRAWN BY DZINN