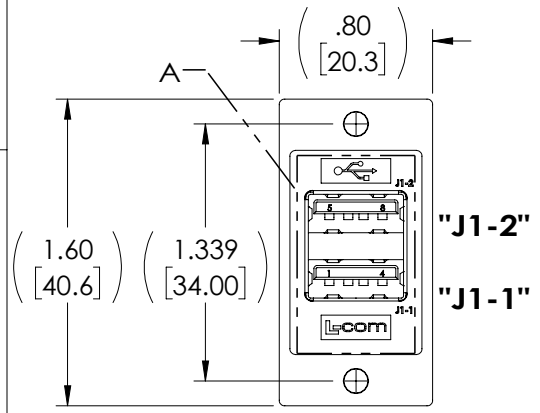
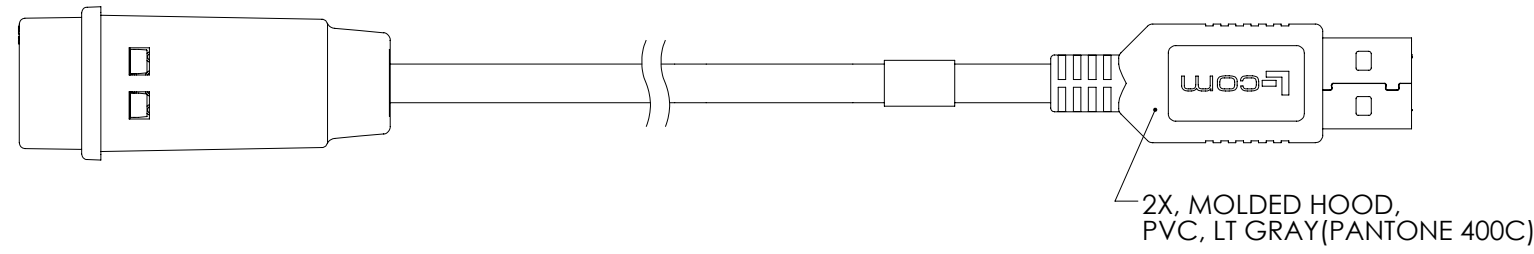
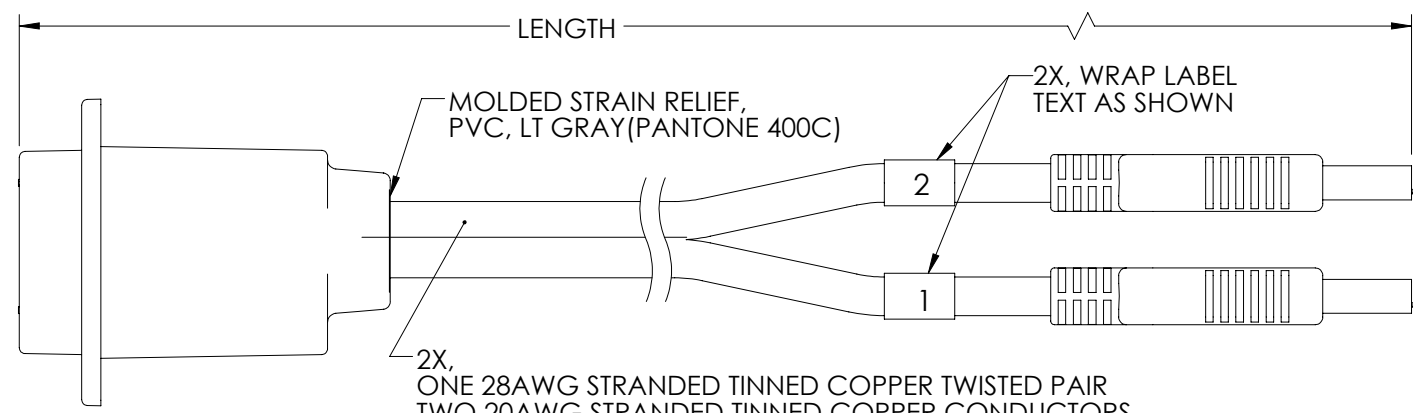
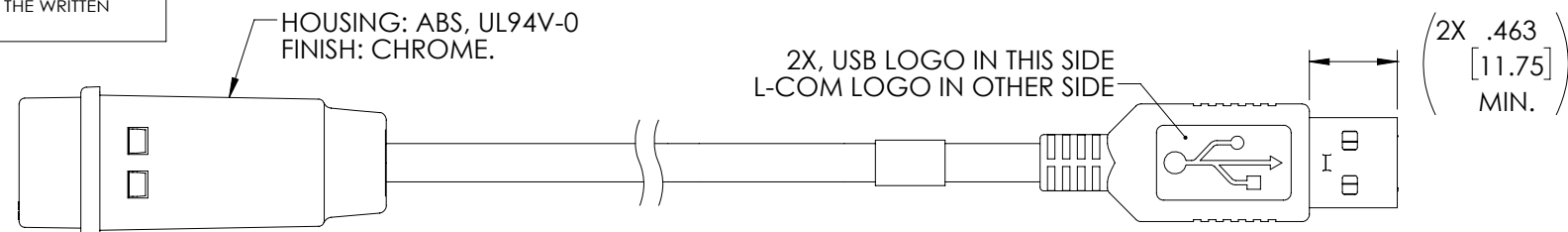
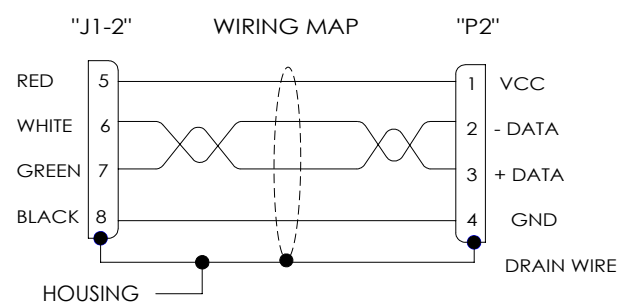
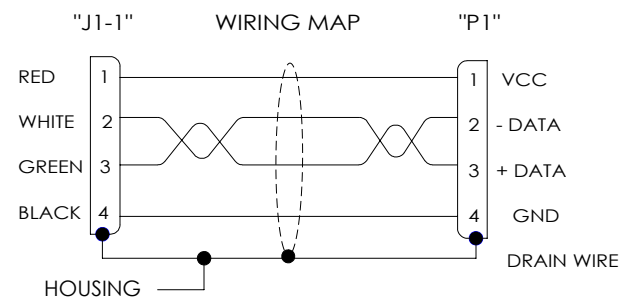
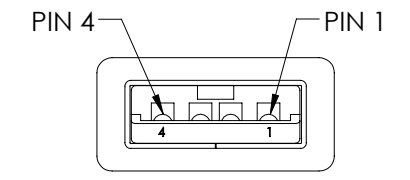
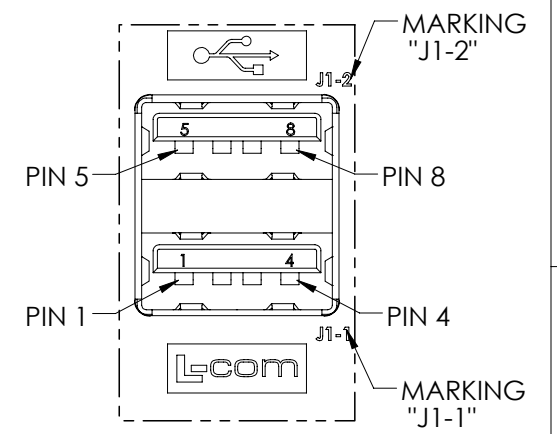
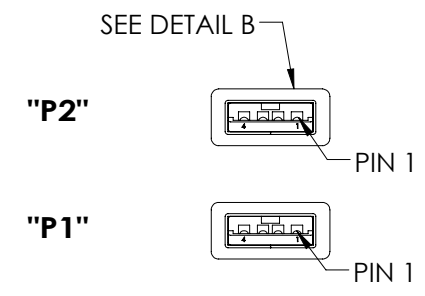


THE INFORMATION CONTAINED IN THIS DRAWING IS THE SOLE PROPERTY OF L-COM, INC. ANY REPRODUCTIONS IN PART OR WHOLE WITHOUT THE WRITTEN PERMISSION OF L-COM, INC. IS PROHIBITED.

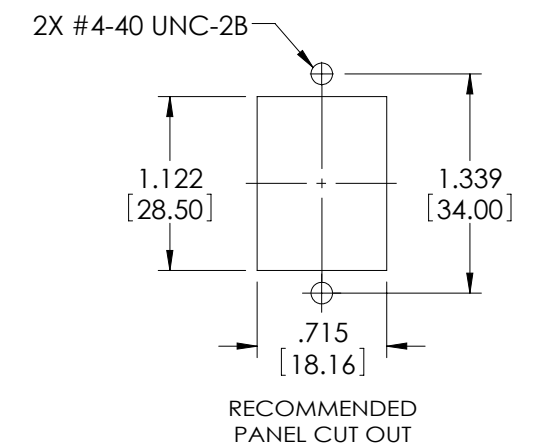
REVISIONS			
REV	DESCRIPTION	DATE	CHANGED BY
A	INITIAL RELEASE	08/22/2023	GUITADAURO



USB 2.0 A JACK  
DOUBLE STACK  
BULKHEAD ADAPTER  
SHIELDED  
CONTACTS:  
GOLD PLATING



PART NUMBER	LENGTH	
	METERS	FEET
ECF504-2DSAA-1M	1.0	3.28
ECF504-2DSAA-2M	2.0	6.56
ECF504-2DSAA-3M	3.0	9.84



- NOTES:**
- RATING:  
CURRENT: 1.5A  
OPERATING TEMPERATURE: -10 °C TO +70 °C.
  - CABLE ASSEMBLY SHALL BE TESTED FOR CONTINUITY.
  - CABLE ASSEMBLY SHALL BE INDIVIDUALLY PACKAGED IN ACCORDANCE WITH L-COM SPECIFICATION PS-0031.

<small>UNLESS OTHERWISE SPECIFIED, DIMENSIONS ARE IN INCHES [mm]</small> OVERALL CABLE LENGTH TOLERANCE: ≤12 [305] = +1 [25] / -0 >12 [305] ≤60 [1524] = +2 [51] / -0 >60 [1524] ≤120 [3048] = +4 [102] / -0 >120 [3048] ≤300 [7620] = +6 [152] / -0 >300 [7620] = +5% / -0 ALL OTHER DIMENSIONAL TOLERANCES: .X = ± .2 [5]      FRACTIONS ± 1/32 .XX = ± .02 [5]      ANGLES ± 1° .XXX = ± .005 [1.3]	APPROVALS	DATE	 50 High Street, West Mill, North Andover, MA 01845 USA. Phone: 1.800.341.5266 1.978.682.6936		
	DRAWN BY SLI	02/11/2022		CATEGORY <b>USB</b>  PRODUCT DESCRIPTION <b>CA, USB2.0 DOUBLE STACK A-F PNL MNT/A-M, SHLD</b>	
	CHECKED BY GUITADAURO	02/11/2022			
	APPROVED BY GUITADAURO	02/11/2022			
THIRD-ANGLE PROJECTION	COLOR VARIATIONS MAY OCCUR	SIZE <b>B</b>	CAGE CODE <b>43321</b>	DWG. NO. <b>ECF504-2DSAA</b>	REV. <b>A</b>
		SCALE: NONE	CAD FILE: ECF504-2DSAA.SLDRW	SHEET 1 OF 1	