

Low PIM Rated 698-960 MHz + 1710-2700 MHz + 3400-4200 MHz 5 to 8.5 dBi DAS V-pol Wall Mount Panel Antenna, 2 x Type N Female Connector



EC742IFP08V-PIM-NF

Features

- Low Passive Intermodulation (PIM) <-153 dBc @ 2x20W
- Vertical Polarization
- Low return loss, stable performance
- Type N Female connector for long lasting consistent results
- Covers 5G, WiFi and LTE frequency bands including extended CBRS

Applications

- Indoor distribution of 5G, LTE, GSM/CDMA
- In-building public or private networks
- LPWAN, LoRA, LTE-M, NB-IoT, IoT, M2M applications
- MIMO DAS (Distributed Antenna Systems)
- Wall Mounts

Description

The ShowMeCables EC742IFP08V-PIM-NF is a low PIM rated, high performance wall mount panel antenna with 5-8.5 dBi gain. It is specifically designed for in-building wireless networks such as DAS (Distributed Antenna Systems). ShowMeCables's EC742IFP08V-PIM-NF can be used to distribute Cellular and WiFi signals throughout a building or area. The EC742IFP08V-PIM-NF operates from 698 to 4200 MHz which is ideal for 5G, LTE, CDMA, LPWAN/IoT/M2M applications including LoRA, LTE-M, and NB-IOT. The Multi-Band design of the ShowMeCables EC742IFP08V-PIM-NF antenna eliminates the need to purchase different antennas for each frequency. This simplifies installations since the same antenna can be used for a wide array of in-building wireless applications where wide coverage is desired.

The EC742IFP08V-PIM-NF from ShowMeCables has directional 55 to 80 degree patterns with vertical polarization and features Type N connectors. The key to providing the best performance in telecommunications is to ensure the components used are low PIM rated. This helps meet the increasing demand for higher data rates and the ability to provide streaming video for mobile devices. With a low PIM rating of <-150 dBc, the 698-4200 MHz EC742IFP08V-PIM-NF helps meet the most demanding PIM requirements for 5G and LTE/4G bands.

The PIM rated Type N 8.5 dBi EC742IFP08V-PIM-NF antenna from ShowMeCables is designed specifically for in-building operation and is ideal for use in large open areas such as indoor courtyards, indoor sporting venues, convention centers and shopping malls. Urgency is in our DNA and this 5G Cellular antenna is in stock and ready to ship same day.

Configuration

Design	Panel
Band Type	Wide
Radiation Pattern	Directional
Polarization	Vertical
Connector Type	N Female
Number of Ports	1

Electrical Specifications

Description	Minimum	Typical	Maximum	Units
Frequency Range	698		4200	MHz
Input VSWR			1.8:1	
Impedance		50		Ohms
Gain		5		dBi
Gain			8.5	dBi
Input Power			50	Watts
Passive Intermodulation		-153		

Low PIM Rated 698-960 MHz + 1710-2700 MHz + 3400-4200 MHz 5 to 8.5 dBi DAS V-pol Wall Mount Panel Antenna, 2 x Type N Female Connector



EC742IFP08V-PIM-NF

3rd Order, 2 x 20 W

Specifications by Band

Description	Band 1	Band 2	Band 3	Band 4	Band 5	Units
Range	0.698 to 0.806	0.806 to 0.96	1.71 to 2.17	2.2 to 2.7	3.4 to 4.2	GHz
Gain	5	6	7	7.5	8.5	dBi
Horizontal HPBW	80	80	65	60	55	Degrees
Vertical HPBW	73	70	60	60	30	Degrees
Front to Back Ratio	5	8	10	15		dB

Mechanical Specifications

Radome Material	ABS
Size	
Length	7.09 in [180.09 mm]
Width	6.69 in [169.93 mm]
Height	2.36 in [59.94 mm]
Weight	0.88 lbs [399.16 g]

Environmental Specifications

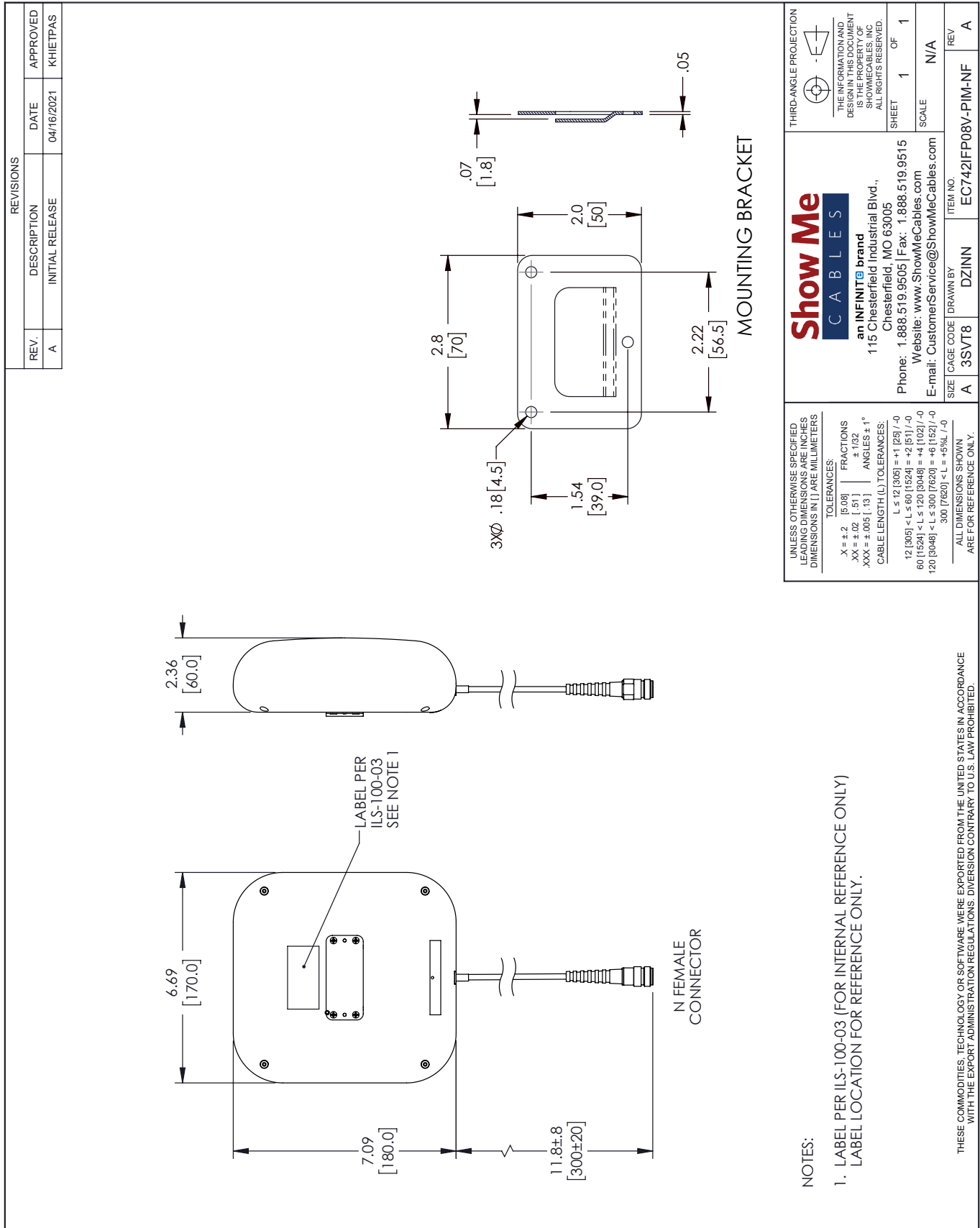
Temperature	
Operating Range	-55 to +60 deg C
Humidity	< 95

Plotted and Other Data

Notes:

The information contained within this document is accurate to the best of our knowledge and representative of the part described herein. It may be necessary to make modifications to the part and/or the documentation of the part in order to implement improvements. Show Me Cables reserves the right to make such changes as required. Unless otherwise stated, all specifications are nominal. Show Me Cables does not make any representation or warranty regarding the suitability of the part described herein for any particular purpose, and Show Me Cables does not assume liability arising out of the use of any part or document.

Low PIM Rated 698-960 MHz + 1710-2700 MHz + 3400-4200 MHz 5 to 8.5 dBi
 DAS V-pol Wall Mount Panel Antenna, 2 x Type N Female Connector
EC742IFP08V-PIM-NF CAD Drawing



REVISIONS		
REV.	DESCRIPTION	DATE
A	INITIAL RELEASE	04/16/2021
		APPROVED
		KHIETPAS

Show Me CABLES
 an INFINITE brand
 115 Chesterfield Industrial Blvd.,
 Chesterfield, MO 63005
 Phone: 1.888.519.9505 | Fax: 1.888.519.9515
 Website: www.ShowMeCables.com
 E-mail: CustomerService@ShowMeCables.com

THIRD-ANGLE PROJECTION

THE INFORMATION AND DESIGN IN THIS DOCUMENT IS THE PROPERTY OF SHOWMECABLES, INC. ALL RIGHTS RESERVED.

SHEET 1 OF 1

SCALE N/A

REV A

ITEM NO. EC742IFP08V-PIM-NF

DRAWN BY DZINN

CAGE CODE A 3SVT8

SIZE A

UNLESS OTHERWISE SPECIFIED LEADING DIMENSIONS ARE INCHES DIMENSIONS IN [] ARE MILLIMETERS

TOLERANCES:
 .X = ±.2 [5.08] FRACTIONS ±.1/32
 .XX = ±.02 [.51] ANGLES ± 1°
 .XXX = ±.005 [.13]
 CABLE LENGTH (L) TOLERANCES:
 L ≤ 12 [305] = +1 [25] / -0
 12 [305] < L ≤ 60 [1524] = +2 [51] / -0
 60 [1524] < L ≤ 120 [3048] = +4 [102] / -0
 120 [3048] < L ≤ 300 [7620] = +6 [152] / -0
 300 [7620] < L = +5% / -0

ALL DIMENSIONS SHOWN ARE FOR REFERENCE ONLY.

THESE COMMODITIES, TECHNOLOGY OR SOFTWARE WERE EXPORTED FROM THE UNITED STATES IN ACCORDANCE WITH THE EXPORT ADMINISTRATION REGULATIONS. DIVERSION CONTRARY TO U.S. LAW PROHIBITED.

NOTES:
 1. LABEL PER ILS-100-03 (FOR INTERNAL REFERENCE ONLY)
 LABEL LOCATION FOR REFERENCE ONLY.