

Low PIM Rated 617-960 MHz + 1710-2700 MHz +  
3300-4200 MHz + 4900-6000 MHz X-pol 5.5 dBi Wall Mount Panel  
Antenna, 2xType N Female Connector



## EC658IFP05X-PIM-NF

### Features

- Low Passive Intermodulation (PIM) <-153 dBc @ 2x20W
- +/- 45 Slant Polarization
- Low return loss, stable performance
- 2 x Type N Female connector for long lasting consistent results
- Covers all sub 6 GHz 5G frequency bands including 600 MHz and extended CBRS

### Applications

- Indoor distribution of 5G, LTE, GSM/CDMA
- In-building public or private networks
- LPWAN, LoRA, LTE-M, NB-IoT, IoT, M2M applications
- MIMO DAS (Distributed Antenna Systems)
- Wall Mounts

### Description

The ShowMeCables EC658IFP05X-PIM-NF is a low PIM rated, high performance wall mount MIMO panel antenna with 5.5-7 dBi gain. It is specifically designed for in-building wireless networks such as DAS (Distributed Antenna Systems). ShowMeCables's EC658IFP05X-PIM-NF can be used to distribute Cellular and WiFi signals throughout a building or area. The EC658IFP05X-PIM-NF operates from 617 to 6000 MHz which is ideal for 5G, LTE, CDMA, LPWAN/IoT/M2M applications including LoRA, LTE-M, and NB-IOT. The Multi-Band design of the ShowMeCables EC658IFP05X-PIM-NF antenna eliminates the need to purchase different antennas for each frequency. This simplifies installations since the same antenna can be used for a wide array of in-building wireless applications where wide coverage is desired.

The EC658IFP05X-PIM-NF from ShowMeCables has directional 60 degree patterns with +/-45 slant polarization and features Type N connectors. The key to providing the best performance in telecommunications is to ensure the components used are low PIM rated. This helps meet the increasing demand for higher data rates and the ability to provide streaming video for mobile devices. With a low PIM rating of <-150 dBc, the 617-6000 MHz EC658IFP05X-PIM-NF helps meet the most demanding PIM requirements for 5G and LTE/4G bands.

The PIM rated Type N 7 dBi EC658IFP05X-PIM-NF antenna from ShowMeCables is designed specifically for in-building operation and is ideal for use in large open areas such as indoor courtyards, indoor sporting venues, convention centers and shopping malls. Urgency is in our DNA and this 5G Cellular antenna is in stock and ready to ship same day.

### Configuration

Design	Panel
Band Type	Wide
Radiation Pattern	Directional
Polarization	±45 Deg. Slant
Connector Type	N Female
Interface 2	N Female
Number of Ports	2

### Electrical Specifications

Description	Minimum	Typical	Maximum	Units
Frequency Range	617		6000	MHz
Input VSWR			2:1	
Gain		5.5		dBi
Gain			7	dBi
Input Power			50	Watts
Passive Intermodulation		-153		

Low PIM Rated 617-960 MHz + 1710-2700 MHz +  
 3300-4200 MHz + 4900-6000 MHz X-pol 5.5 dBi Wall Mount Panel  
 Antenna, 2xType N Female Connector



## EC658IFP05X-PIM-NF

3rd Order, 2 x 20 W

### Specifications by Band

Description	Band 1	Band 2	Band 3	Band 4	Band 5	Units
Range	0.617 to 0.698	0.698 to 0.96	1.71 to 2.7	3.3 to 4.2	4.9 to 6	GHz
Gain	5.5	6	7	6	6.5	dBi
Horizontal HPBW	80	70	68	55	50	Degrees
Vertical HPBW	70	70	68	50	50	Degrees
Port to Port Isolation	20	20	20	28	30	dB

### Mechanical Specifications

Radome Material	ABS
<b>Size</b>	
Length	12.2 in [309.88 mm]
Width	16.54 in [420.12 mm]
Height	3.94 in [100.08 mm]
Weight	2.2 lbs [997.9 g]

### Environmental Specifications

<b>Temperature</b>	
Operating Range	-55 to +60 deg C
Humidity	< 95

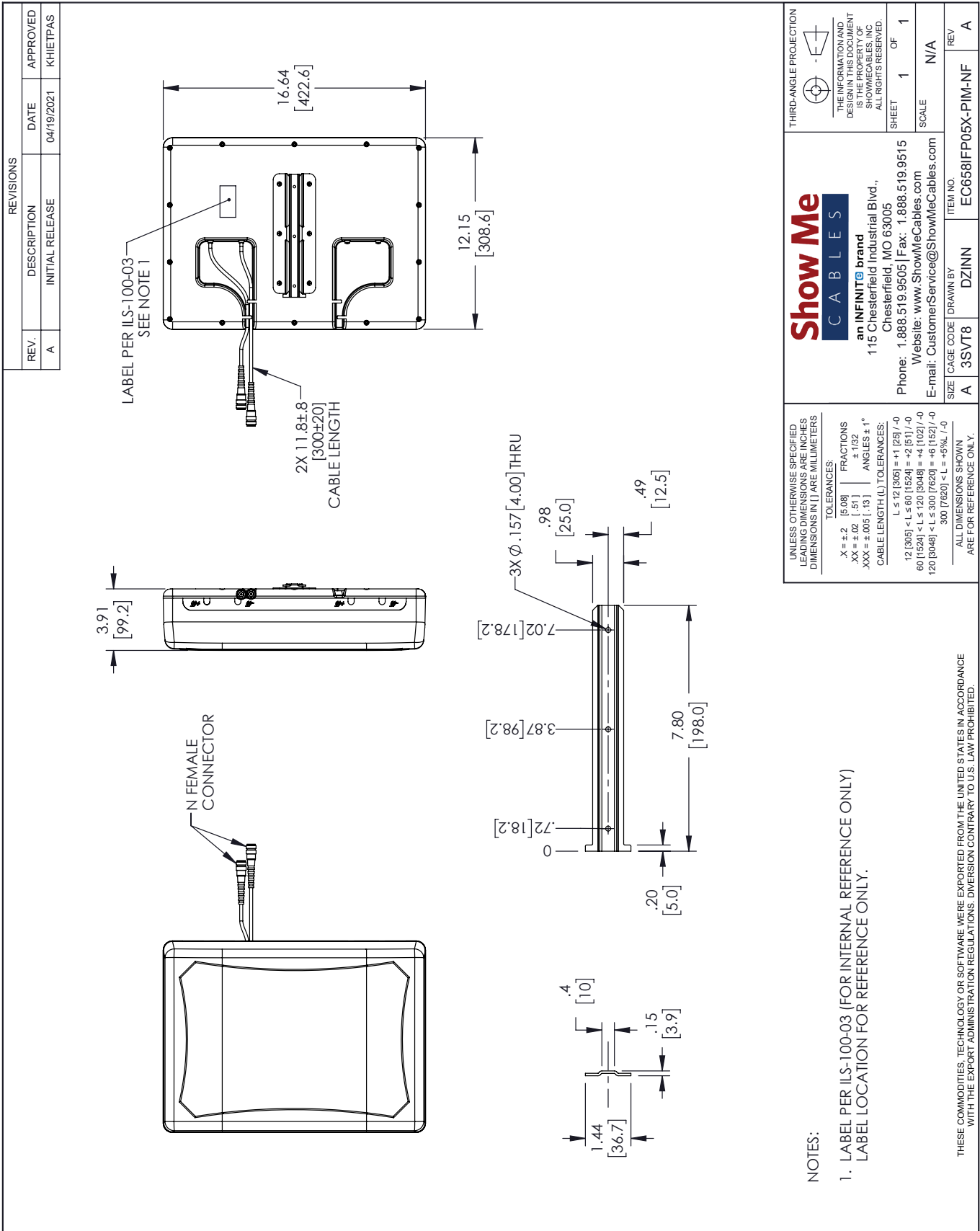
### Plotted and Other Data

**Notes:**

The information contained within this document is accurate to the best of our knowledge and representative of the part described herein. It may be necessary to make modifications to the part and/or the documentation of the part in order to implement improvements. Show Me Cables reserves the right to make such changes as required. Unless otherwise stated, all specifications are nominal. Show Me Cables does not make any representation or warranty regarding the suitability of the part described herein for any particular purpose, and Show Me Cables does not assume liability arising out of the use of any part or document.

Low PIM Rated 617-960 MHz + 1710-2700 MHz + 3300-4200 MHz + 4900-6000 MHz  
 X-pol 5.5 dBi Wall Mount Panel Antenna, 2xType N Female Connector

**EC658IFP05X-PIM-NF CAD Drawing**



**Show Me**  
**CABLES**  
 an INFINITE brand  
 115 Chesterfield Industrial Blvd.,  
 Chesterfield, MO 63005  
 Phone: 1.888.519.9505 | Fax: 1.888.519.9515  
 Website: www.ShowMeCables.com  
 E-mail: CustomerService@ShowMeCables.com

UNLESS OTHERWISE SPECIFIED  
 LEADING DIMENSIONS ARE INCHES  
 DIMENSIONS IN [ ] ARE MILLIMETERS

TOLERANCES:  
 .X = ±.2 [5.08] FRACTIONS  
 .XX = ±.02 [.51] ±.1/32  
 .XXX = ±.005 [.13] ANGLES ± 1°

CABLE LENGTH (L) TOLERANCES:  
 L ≤ 12 [305] = +1 [25] / -0  
 12 [305] < L ≤ 60 [1524] = +2 [51] / -0  
 60 [1524] < L ≤ 120 [3048] = +4 [102] / -0  
 120 [3048] < L ≤ 300 [7620] = +6 [152] / -0  
 300 [7620] < L = +5% / -0

ALL DIMENSIONS SHOWN  
 ARE FOR REFERENCE ONLY.

ITEM NO. EC658IFP05X-PIM-NF  
 DRAWN BY DZINN  
 CAGE CODE A 3SVT8  
 SCALE N/A  
 SHEET 1 OF 1

NOTES:  
 1. LABEL PER ILS-100-03 (FOR INTERNAL REFERENCE ONLY)  
 LABEL LOCATION FOR REFERENCE ONLY.

THESE COMMODITIES, TECHNOLOGY OR SOFTWARE WERE EXPORTED FROM THE UNITED STATES IN ACCORDANCE WITH THE EXPORT ADMINISTRATION REGULATIONS. DIVERSION CONTRARY TO U.S. LAW PROHIBITED.

T-Rev. D