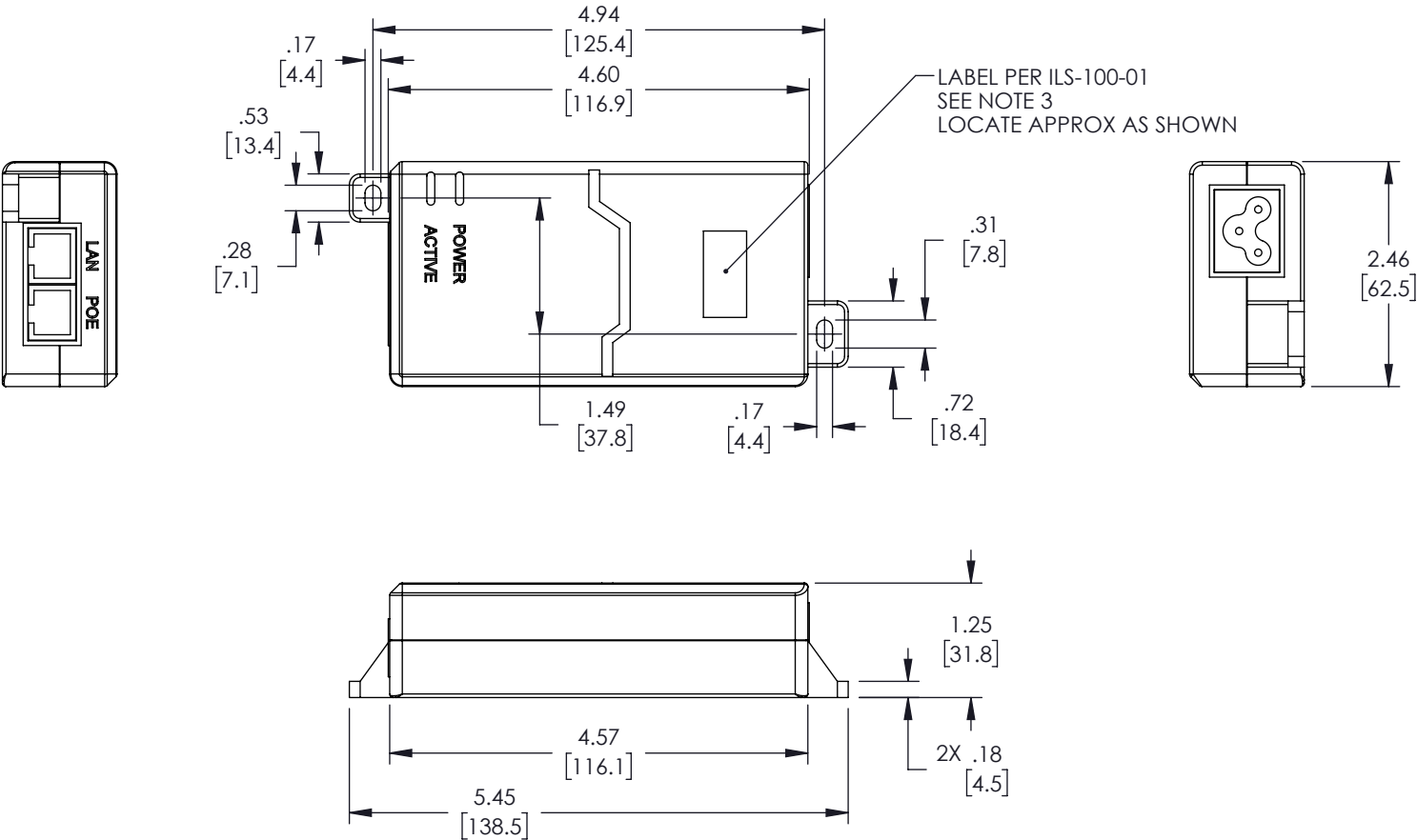


REVISIONS			
REV.	DESCRIPTION	DATE	APPROVED
A	INITIAL RELEASE	01/25/2021	GUTTADAURO



NOTES:

1. PRODUCT SHALL BE INDIVIDUALLY PACKAGED.
2. PACKAGED WITH 1X US STYLE POWER CORD, 0.6M IN LENGTH.
3. SEE LABEL SPECIFICATION ILS-100. FOR INTERNAL REFERENCE ONLY.

THESE COMMODITIES, TECHNOLOGY OR SOFTWARE WERE EXPORTED FROM THE UNITED STATES IN ACCORDANCE WITH THE EXPORT ADMINISTRATION REGULATIONS. DIVERSION CONTRARY TO U.S. LAW PROHIBITED.

UNLESS OTHERWISE SPECIFIED
LEADING DIMENSIONS ARE INCHES
DIMENSIONS IN [] ARE MILLIMETERS

TOLERANCES:

X = ± .02	[.51]	FRACTIONS
.XX = ± .005	[.13]	± 1/32
XXX = ± .005	[.13]	ANGLES ± 1°

CABLE LENGTH (L) TOLERANCES:

L ≤ 12	[305]	= +1 [25] / -0
12 [305] < L ≤ 60	[1524]	= +2 [51] / -0
60 [1524] < L ≤ 120	[3048]	= +4 [102] / -0
120 [3048] < L ≤ 300	[7620]	= +6 [152] / -0
300 [7620] < L		= +5%L / -0

ALL DIMENSIONS SHOWN
ARE FOR REFERENCE ONLY.

Show Me
CABLES

an INFINITI® brand
115 Chesterfield Industrial Blvd.,
Chesterfield, MO 63005
Phone: 1.888.519.9505 | Fax: 1.888.519.9515
Website: www.ShowMeCables.com
E-mail: CustomerService@ShowMeCables.com

SIZE	CAGE CODE	DRAWN BY	ITEM NO.	REV
A	3SVT8	DZINN	EC-POE10GAT+	A

THIRD-ANGLE PROJECTION

THE INFORMATION AND DESIGN IN THIS DOCUMENT IS THE PROPERTY OF SHOWMECABLES, INC. ALL RIGHTS RESERVED.

SHEET	1	OF	1
SCALE	N/A		