

14x12x06 Polycarbonate Weatherproof Outdoor
IP24 NEMA 3R Enclosure, 120VAC Mount Plate
Mechanical Thermostat Fan Dark Gray



NEMA Enclosures Technical Data Sheet

NBPC141206-10F

Features

- High-Impact, UV Resistant Polycarbonate (Dark Gray)
- Stainless steel latches with padlock eye
- NEMA Type 3R / IP24 rated
- Fully gasketed vented lid with filters & user installed wall mounting brackets
- Features aluminum mounting plate with surge protected duplex 120 VAC outlets & thermostat controlled cooling system

Applications

- Remote Wireless LAN WiFi equipment installations
- Indoor and outdoor installations
- Rapid Deployment Installations
- Corrosive environments & hotspot applications
- Protection of equipment from theft or damage

Description

The box is a rugged weatherproof enclosure that is ideal for both indoor and outdoor applications. Constructed from High-Impact, UV Resistant Polycarbonate material that provides superior durability to impacts and ease of modification while maintaining minimum weight. It is well suited for high temperature or corrosive environments. The lid includes two vents with installed rain guards and filters. The included wall mount brackets come uninstalled and bagged with their hardware inside of the enclosure. Once the brackets are installed the enclosure can be mounted directly to any flat wall surface provided proper screws are used into secure studs. The brackets, once installed, also allow you to use our HGX-PMT pole mount kits. The lid features a non-metallic hinge system that allows for quick removal & can be reattached just as quickly without the need for any tools. The enclosure comes with a pair of stainless-steel latches with padlock eyes allowing you to secure the enclosure from tampering. The enclosure comes in a Dark Gray (Pantone 422C)

Mounting Plate

The aluminum mounting plate included with the NBPC141206-10F features standard surge protected duplex 120 VAC outlets and a terminal block for easy hook up to the externally provided line power. The enclosure also features holes for two N-Bulkhead Lightning Protectors or Connectors, a grounding lug and cable conduit connector.

Cooling

To help ensure trouble-free operation of electronic equipment, proper operating temperatures inside an enclosure needs to be maintained. With the built-in cooling fan, internal temperatures can be better maintained. This model is ideal in Hot environments.

The NBPC141206-10F model includes a thermostat-controlled 16.4W fan. The high airflow, low noise fan used allows warm air to be actively pushed out while the lower vent passively pulls in outside air into the enclosure. Filters for both ports prevent foreign objects or debris from entering the enclosure. The fan turns on when the internal temperature rises to 120° F (49° C) ±5° and turns off at 90° F (32° C) ±10°. The cooling fan does not require the use of any of the AC outlets, leaving them all available for your equipment.

The HGX-PMT series of pole mounting kits allow the populated enclosure to be securely mounted to a variety of different size poles.

Compatible versions include HGX-PMT13, HGX-PMT16, HGX-PMT28, HGX-PMT29, HGX-PMT30, & HGX-PMT33

Size

Outer Height	14.6 in	[370.84 mm]
Outer Width	12.6 in	[320.04 mm]
Outer Depth	7.4 in	[187.96 mm]
Inner Height	13.7 in	[347.98 mm]
Inner Width	11.7 in	[297.18 mm]

Click the following link (or enter part number in "SEARCH" on website) to obtain additional part information including price, inventory and certifications: [14x12x06 Polycarbonate Weatherproof Outdoor IP24 NEMA 3R Enclosure, 120VAC Mount Plate Mechanical Thermostat Fan Dark Gray NBPC141206-10F](#)



an INFINIT^e brand

14x12x06 Polycarbonate Weatherproof Outdoor
IP24 NEMA 3R Enclosure, 120VAC Mount Plate
Mechanical Thermostat Fan Dark Gray



NEMA Enclosures Technical Data Sheet

NBPC141206-10F

Inner Depth	5.9 in	[149.86 mm]
Weight	10.3 lbs	[4.67 kg]
Enclosure Material	Polycarbonate	

Environmental Specifications

Temperature Rating	-40° to 265° F [-40° to 129° C]
NEMA Rating	3R
Ingress Protection (IP) Rating	IP24

Compliance Certifications

UL Listed	No
-----------	----

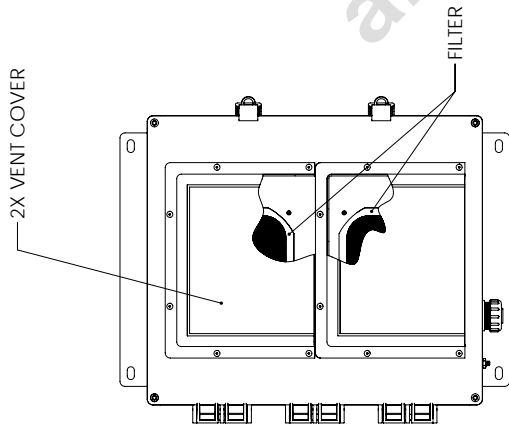
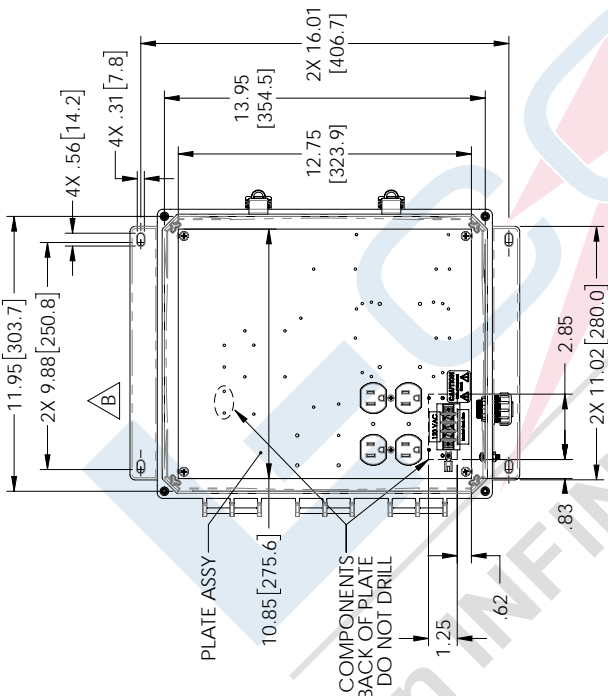
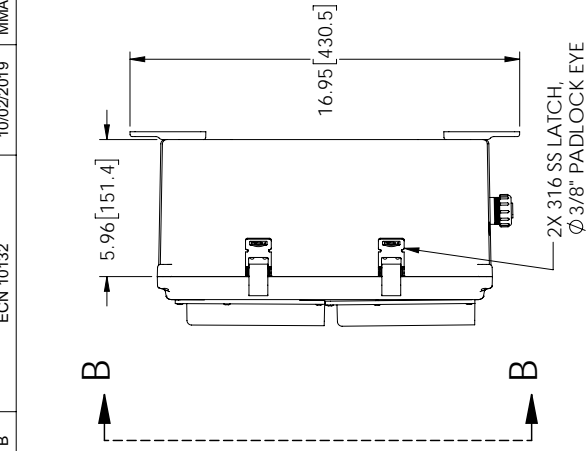
Click the following link (or enter part number in "SEARCH" on website) to obtain additional part information including price, inventory and certifications: [14x12x06 Polycarbonate Weatherproof Outdoor IP24 NEMA 3R Enclosure, 120VAC Mount Plate Mechanical Thermostat Fan Dark Gray NBPC141206-10F](#)

URL: <https://www.l-com.com/nema-enclosures-14x12x06-polycarb-weatherproof-nema-3r-enclosure120vac-mnt-mech-therm-fan-dark-gray-p.aspx>

NBPC141206-10F CAD Drawing

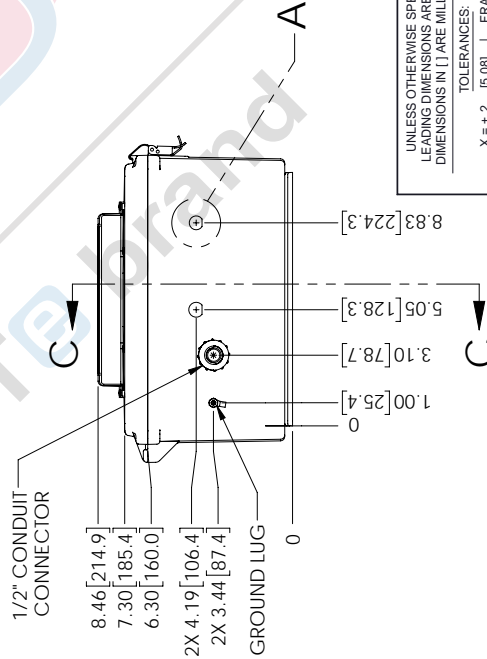
14x12x06 Polycarbonate Weatherproof Outdoor IP24 NEMA 3R Enclosure,
120VAC Mount Plate Mechanical Thermostat Fan Dark Gray

REVISIONS			
REV.	DESCRIPTION	DATE	APPROVED
B	ECN 10132	10/02/2019	MMARTINEZ



VIEW B-B

LID NOT SHOWN IN THIS VIEW FOR CLARITY



SECTION C-C

<p>an INFINITE brand 50 High Street, West Mill, 3rd Floor, Suite #30 North Andover, MA 01845 USA Phone: 1.800.341.5266 1.978.682.6936 Fax: 1.978.689.9484 www.L-com.com e-mail: CustomerService@L-com.com</p>	<p>THIRD-ANGLE PROJECTION</p> <p>THE INFORMATION AND DESIGN IN THIS DOCUMENT IS THE PROPERTY OF L-COM GLOBAL CONNECTIVITY. ALL RIGHTS RESERVED.</p> <p>SHEET 1 OF 1</p>
	<p>SCALE N/A</p>
<p>SIZE CAGE CODE DRAWN BY PART NUMBER</p> <p>A 43321 DZINN NBPC141206-10F</p>	<p>REV B</p>

UNLESS OTHERWISE SPECIFIED LEADING DIMENSIONS ARE INCHES DIMENSIONS IN [] ARE MILLIMETERS

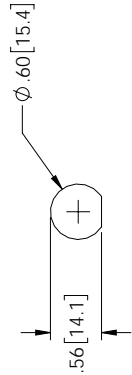
TOLERANCES:

X ± .2 [5.08] FRACTIONS ± .122
 XX ± .02 [.51] ANGLES ± 1°
 .XXX ± .006 [.15]

OVERALL CABLE LENGTH (L) TOLERANCES:

L ≤ 12 [305] = +1 [25] / -0
 12 [305] < L ≤ 60 [1524] = +2 [51] / -0
 60 [1524] < L ≤ 120 [3048] = +4 [102] / -0
 120 [3048] < L ≤ 300 [7620] = +6 [152] / -0
 300 [7620] < L = +5%L / -0

ALL DIMENSIONS SHOWN ARE FOR REFERENCE ONLY.



DETAIL A
2 PLACES

THESE COMMODITIES, TECHNOLOGY OR SOFTWARE WERE EXPORTED FROM THE UNITED STATES IN ACCORDANCE WITH THE EXPORT ADMINISTRATION REGULATIONS. DIVERSION CONTRARY TO U.S. LAW PROHIBITED.