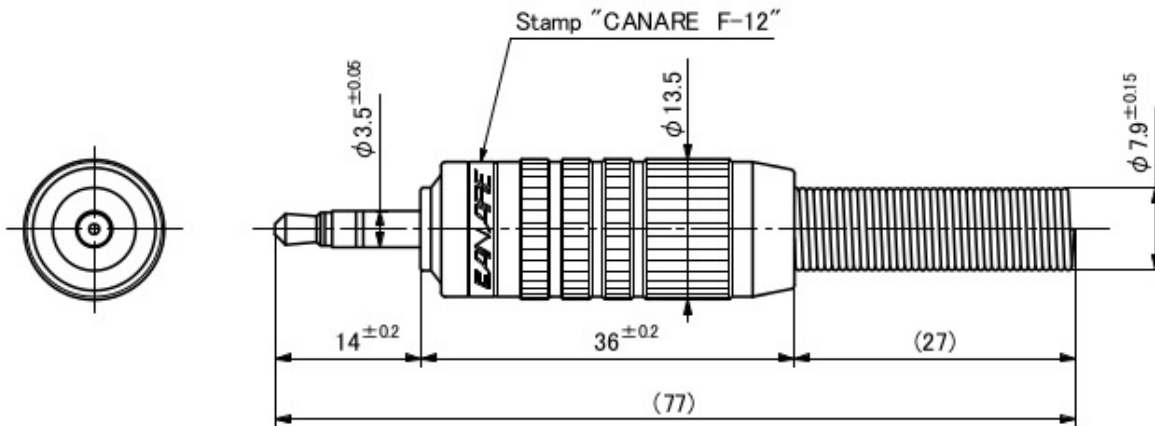
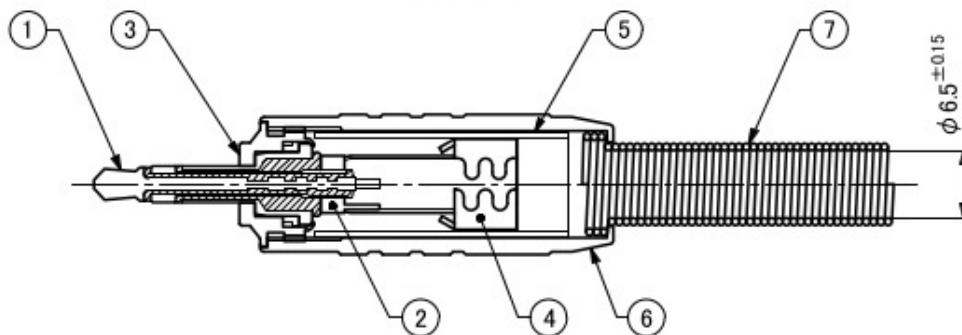


External Appearance



Construction



Show Me

CABLES

Applicable cable dimensions : $\phi 6.0$ max

7	Spring	1	Steel Wire	Nickel Plating					
6	Shield Cover	1	Brass	Nickel Plating					
5	Insulation Tube	1	PVC	—					
4	Sleeve Lug	1	Brass	Nickel Plating					
3	Body	1	Brass	Nickel Plating					
2	Ring Lug	1	Brass	Silver Plating					
1	Body Assy	1	Tip/Ring/Sleeve:Brass, Insulator:ABS(Green)	Tip/Ring/Sleeve: Nickel Plating					
No.	Name of Parts	Pc(s).	Material	Finish					
Title	3.5mm STEREO (TRS) PHONE PLUG	PJTN 	Unit mm	Sc. $\sqrt{2:1}$	Tol. ± 0.1	Date	Ver. 1.1	Model	No.