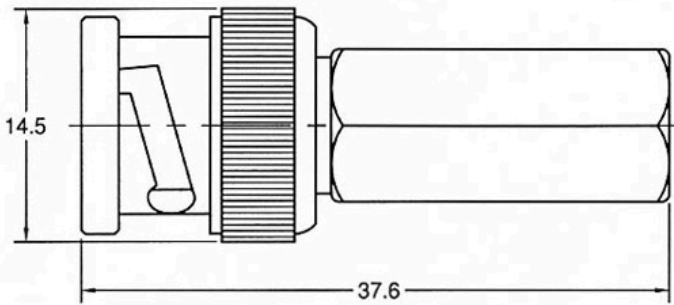
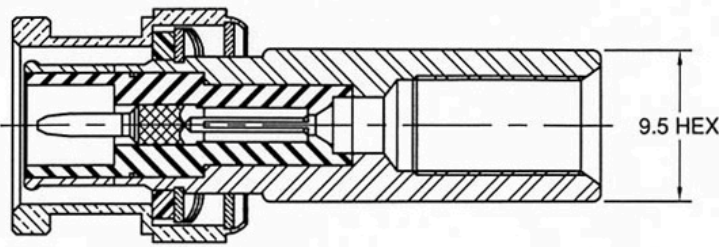
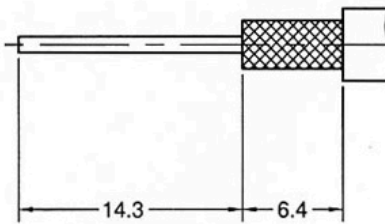


Show Me CABLES

REVISIONS				
ZONE	REV	DESCRIPTION	DATE	APPROVED



RECOMMENDED
CABLE STRIPPING DIM'S



ELECTRICAL

Impedance	50 Ohm	Parts Name	Material	Finish
Frequency Range	0 - 4 GHz	Center Contact	Brass	Gold or Silver Plated
Working Voltage	500 Volts rms.			
Dielectric Withstanding Voltage	1500 Volts rms.	Metal Parts	Brass	Nickel *
VSWR	1.3 max. 0 - 4 GHz	Insulators	Teflon, Delrin, PBT, Polyester	None
Contact Resistance	Center Contact 1.5 milliohm Outer Contact 1.0 milliohm	Clamp Gaskets	Silicone Rubber, Synthetic Rubber	None
Insulation Resistance	5000 megaohms (min)	Crimp Ferrule	Annealed Copper	Nickel *

* NOTE: SILVER PLATED BODY IS ONLY AVAILABLE FOR SPECIAL REQUIREMENT

Part #	Cable	Notes
BNC 3034	RG59/U, 62/U TEFLON	
BNC 3036	RG6/U	

BY	DATE	PART NO SEE TABLE
DRAWN JX	05/09/02	
CHK'D TC	05/21/02	
APPRV		
MATERIAL	SEE NOTES	UNITS mm SCALE NONE
FINISH	SEE NOTES	
		SHEET 1 OF 1