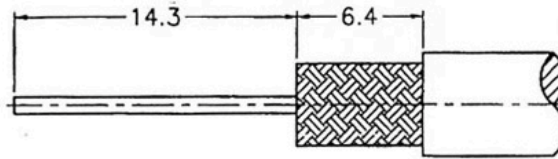
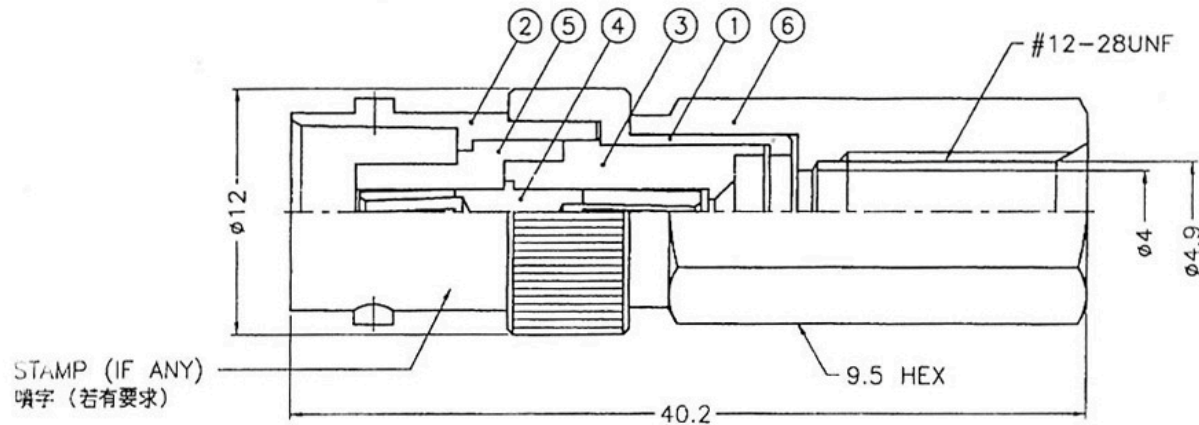


REVISIONS				
ZONE	REV	DESCRIPTION	DATE	APPROVED



RECOMMENDED
CABLE STRIPPING DIM'S
(建議剝線尺寸)



- NOTES: FINISH (PLATING THICKNESS IN MICRO-INCHES)
- BRASS PER QQ-B-626
 - NICKEL PL. 100 MIN. THICK OVER COPPER STRIKE
 - PHOSPHOR BRONZE PER QQ-B-750
 - GOLD PL. 3 MIN. THICK OVER NICKEL PL. 100 MIN. THICK OVER COPPER STRIKE

NO	DESCRIPTION	MATERIAL	FINISH	Q'TY
6	HEX BODY	NOTE 1	NOTE 2	1
5	INSULATOR	DELIN	NATURAL	1
4	CONTACT PIN	NOTE 3	NOTE 4	1
3	INSULATOR	DELIN	NATURAL	1
2	BODY	NOTE 1	NOTE 2	1
1	HOUSING	NOTE 1	NOTE 2	1

BY	DATE	PART NO	
DRAWN		BNC-3134	
CHK'D		UNITS	SHEET
APPRV		mm	1 OF 1
MATERIAL	SEE NOTES	SCALE	NONE
FINISH	SEE NOTES		

Show Me
CABLES