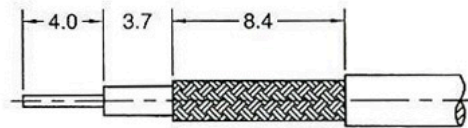
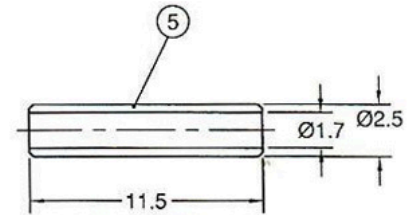
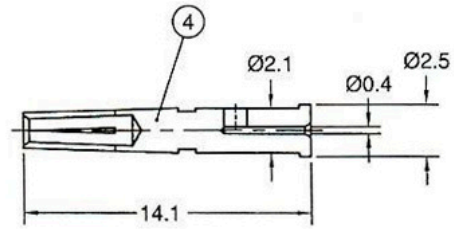
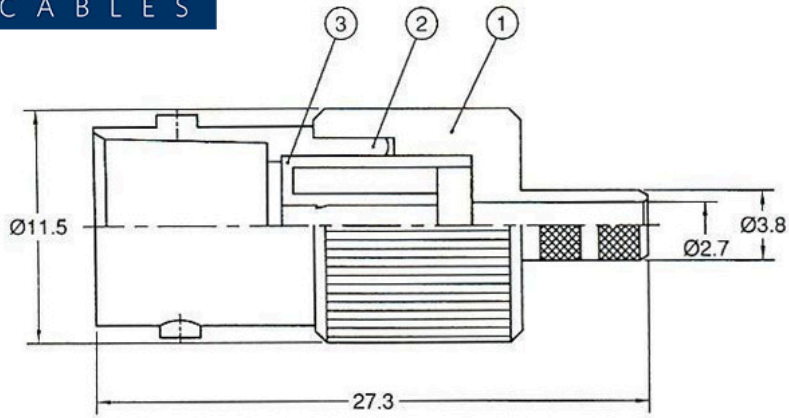
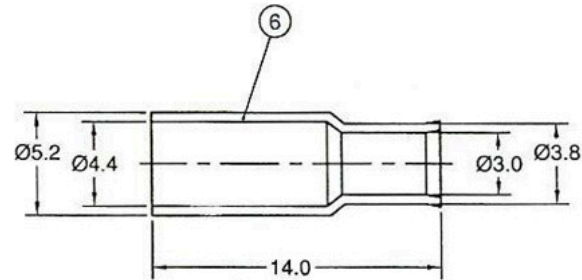


Show Me CABLES

REVISIONS				
ZONE	REV	DESCRIPTION	DATE	APPROVED



RECOMMENDED
CABLE STRIPPING DIM'S



- 1. CRIMPED FERRULE
HEX CRIMP SIZE 0.178"
- 2. CRIMPED CONTACT PIN
HEX CRIMP SIZE 0.068"

NOTES: FINISH (PLATING THICKNESS IN MICRO-INCHES)
 1. NICKEL PL. 100 MIN. THICK OVER COPPER STRIKE.
 2. GOLD PL. 3 MIN. THICK OVER NICKEL PL. 100 MIN.
 THICK OVER COPPER STRIKE.

NO.	DESCRIPTION	MATERIAL	FINISH	QTY.
6	FERRULE	JIS	NOTE 1	1
5	SLEEVE	DELTRIN	NATURAL	1
4	CONTACT PIN	PHOSPHOR BRONZE	NOTE 2	1
3	INSULATOR	TEFLON	NATURAL	1
2	BODY	BRASS	NOTE 1	1
1	HOUSING	BRASS	NOTE 1	1

BY	DATE	327	PART NO
DRAWN JX	03/27/02		
CHK'D TC	04/12/02		
APPRV			
MATERIAL	SEE NOTES		
FINISH	SEE NOTES	UNITS	SHEET
		mm	1 OF 1
		SCALE	NONE